

Technical Manual

JBL 508G-3S

SPECIFICATIONS



ACOUSTIC & ELECTRICAL SPECIFICATIONS:

- Nominal Impedance: 8 ohm
- Power Capacity:]
- Frequency Range:] Not Available
- Sensitivity:]
- Crossover Frequencies: N/A

SYSTEM COMPONENTS:

- Cabinet: N/A
- Grille: N/A
- Low Frequency Transducer: 200mm (8 in.) Cone Transducer (508G-3S)
- DC Resistance:

AURAL SWEEP TEST SPECIFICATIONS:

- L.F. Aural Sweep Test: 4.0V Input, 20 Hz to 1.2 kHz

PHYSICAL SPECIFICATIONS:

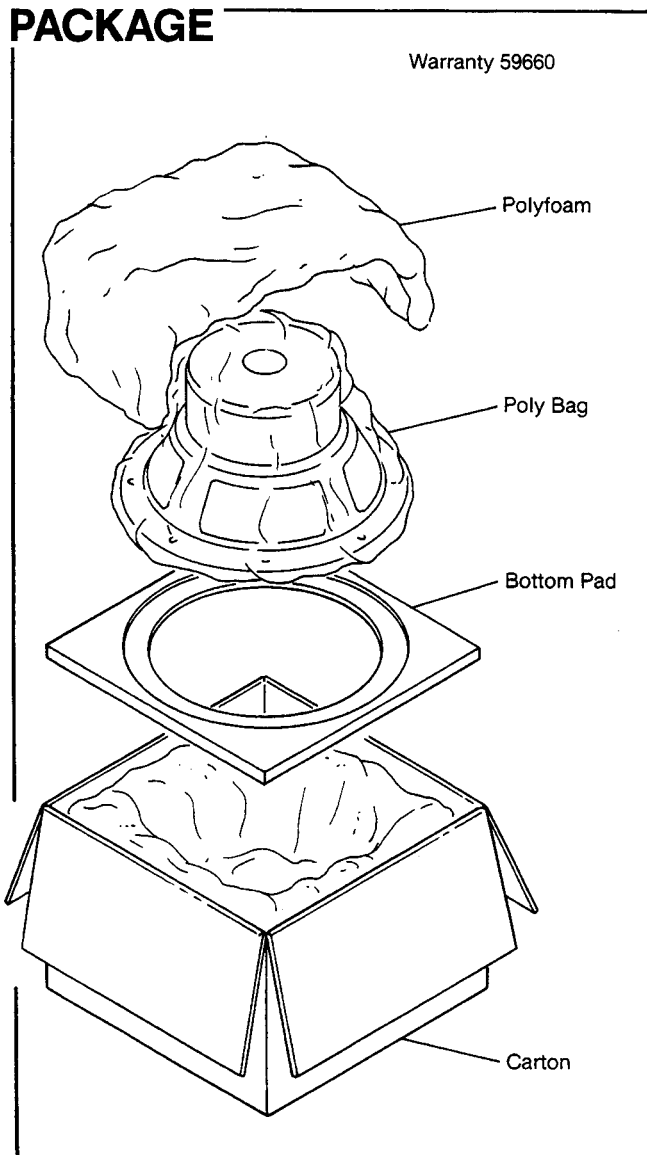
- Enclosure Dimensions: 209mm x 209mm x 98.4mm D (8.25 x 8.25 x 3.875 in. D)
- Net Weight: Not Available

WARRANTY INFORMATION:

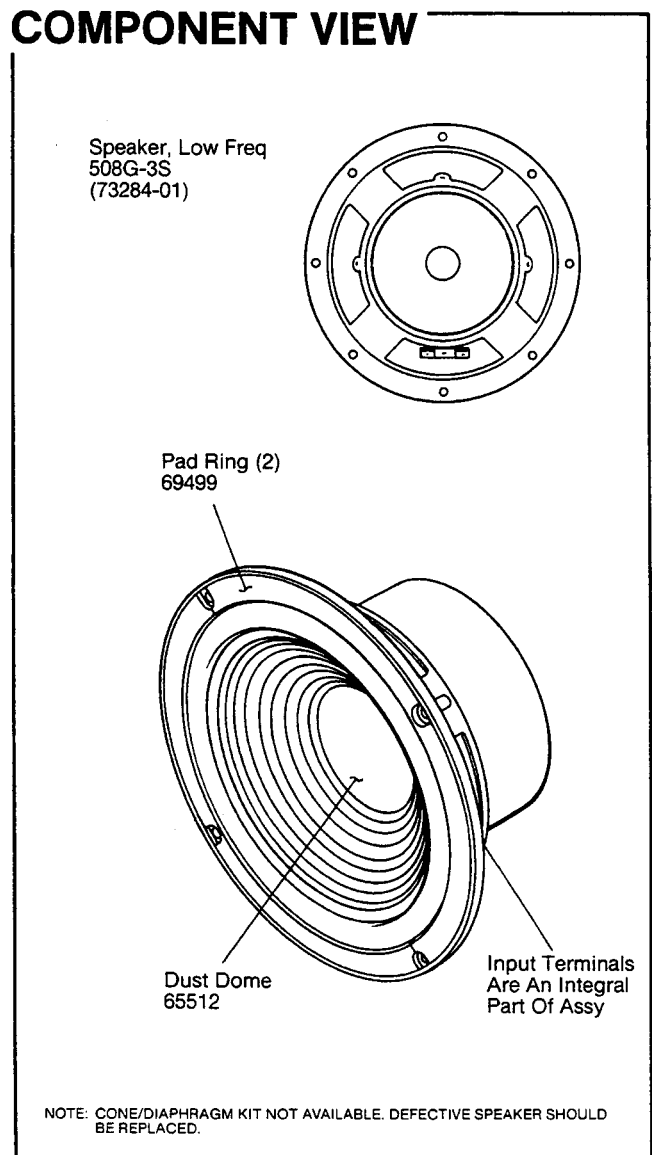
- Refer to the Warranty Statement packed with each product.

*1 Watt (2.83 V RMS) @ 1 Meter

PACKAGE



COMPONENT VIEW

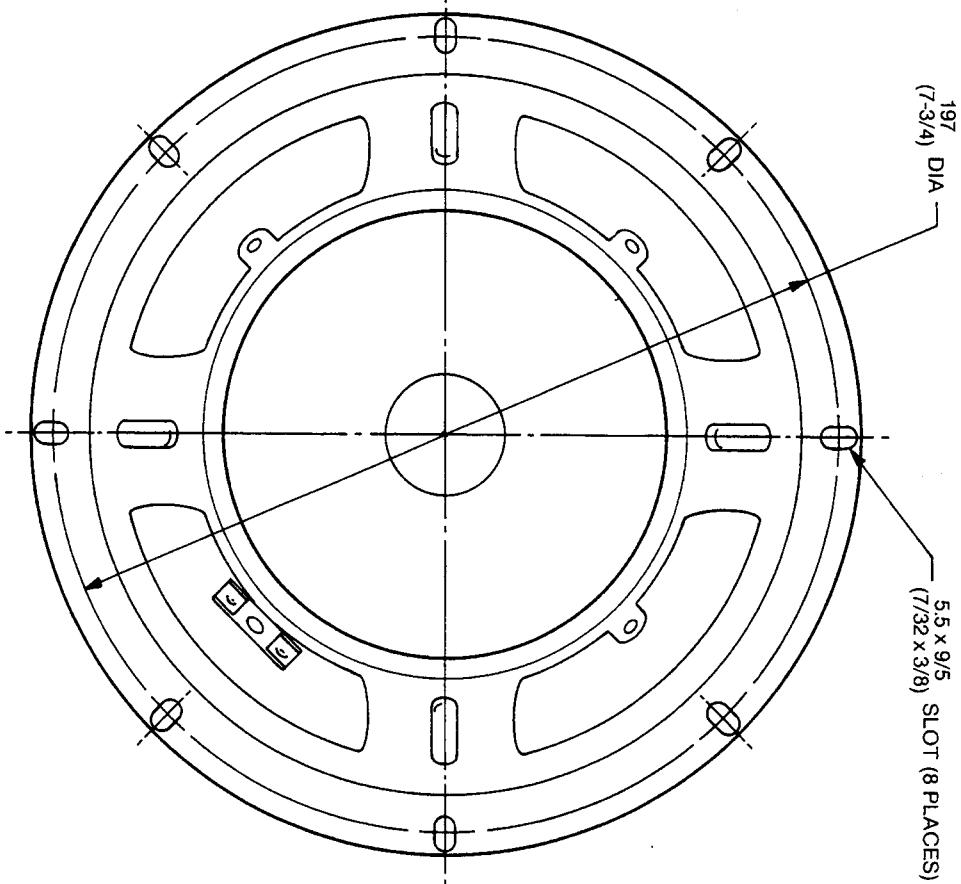
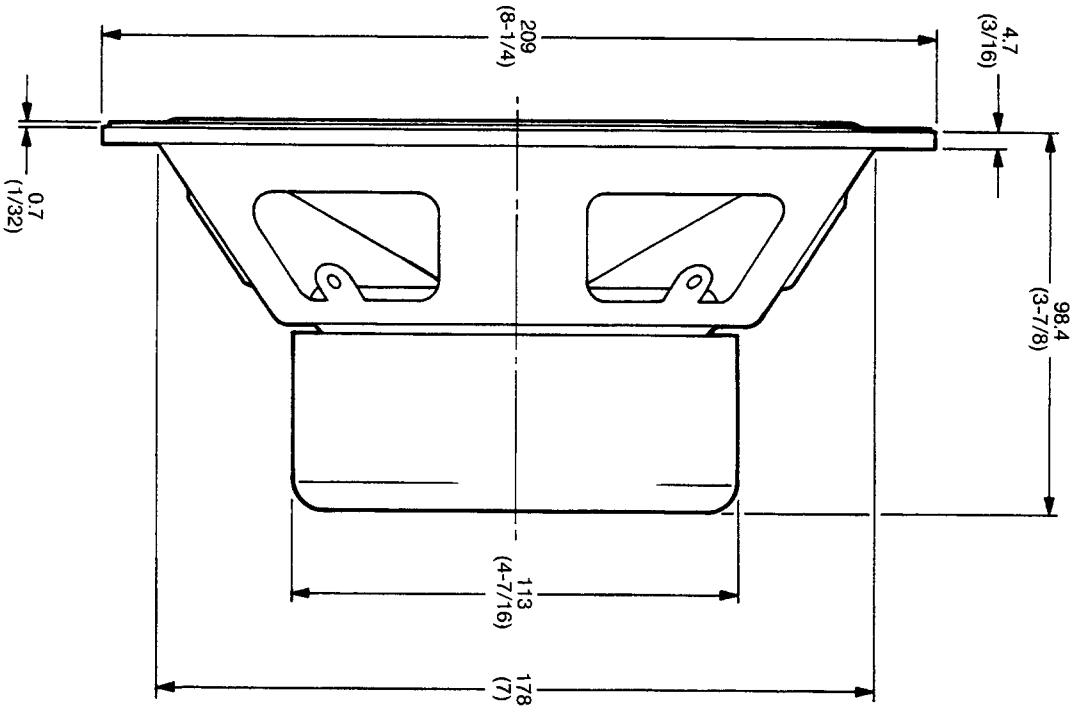


JBL 508G-3S REV A

JBL508G-3S

THESE DRAWINGS AND SPECIFICATIONS ARE THE PROPERTY OF JBL INCORPORATED. THEY ARE ISSUED IN STRICT CONFIDENCE AND SHALL BE KEPT UNDER CONTROL IN ORDER TO BE THE BASIS FOR MANUFACTURE OR SALE OF PRODUCTS UNDER THE JBL TRADE NAME.

MECHANICAL DRAWING



ALL DIMENSIONS ARE REF. ONLY
NOTE: DIMENSIONS IN () ARE IN INCHES

JBL508G-3S