

Technical Manual

JBL E110-8, (-16)

SPECIFICATIONS



ACOUSTIC & ELECTRICAL SPECIFICATIONS:

- Nominal Impedance: 8 ohm, 16 ohm
- Power Capacity: 150W Continuous Program
75W Continuous Sine Wave²
- Frequency Range: 60 Hz to 8000 Hz
- Sensitivity: 98 dB SPL*
- Crossover Frequencies: N/A

SYSTEM COMPONENTS:

- Cabinet: N/A
- Grille: N/A
- Low Frequency Transducer: 250mm (10 in.) Cone Transducer (E110-8, -16)
- DC Resistance: 6.0 ohm ±10% Aluminum Wire (-8)
13.2 ohm ±10% Aluminum Wire (-16)

AURAL SWEEP TEST SPECIFICATIONS:

- L.F. Aural Sweep Test: 7.0V Input, 20 Hz to 1.2 kHz (-8)
14.0V Input, 20 Hz to 1.2 kHz (-16)

PHYSICAL SPECIFICATIONS:

- Enclosure Dimensions: 261mm x 261mm x 111mm D
(10.25 x 10.25 x 4.38 in. D)
- Net Weight: 11-7/8 lbs. (5.4 kg.)

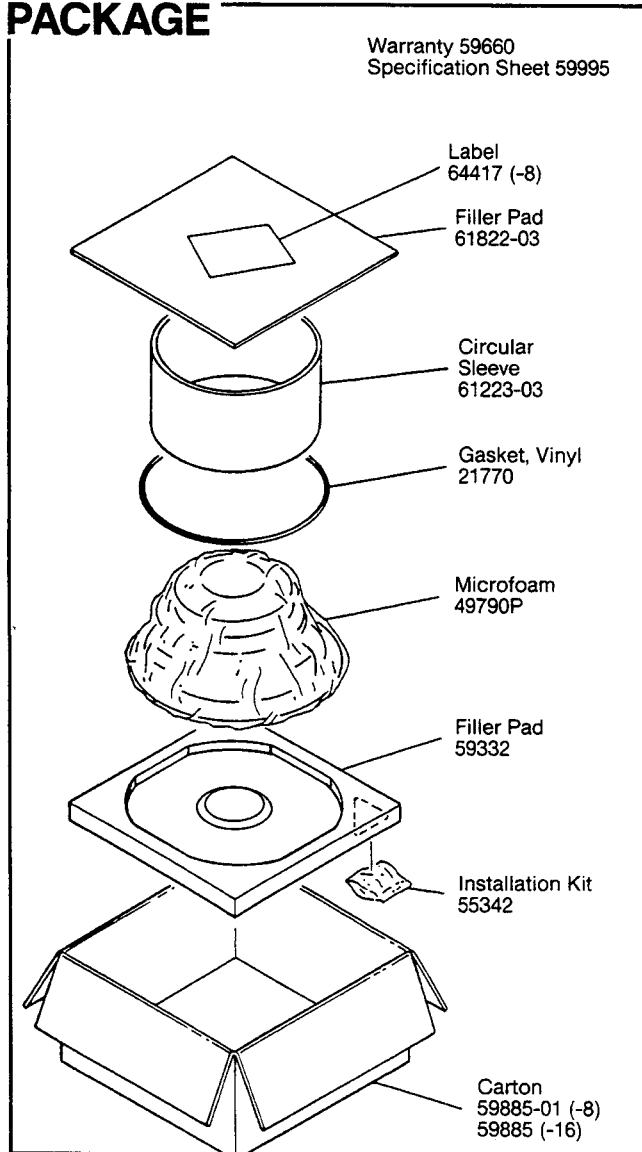
WARRANTY INFORMATION:

- Refer to the Warranty Statement packed with each product.

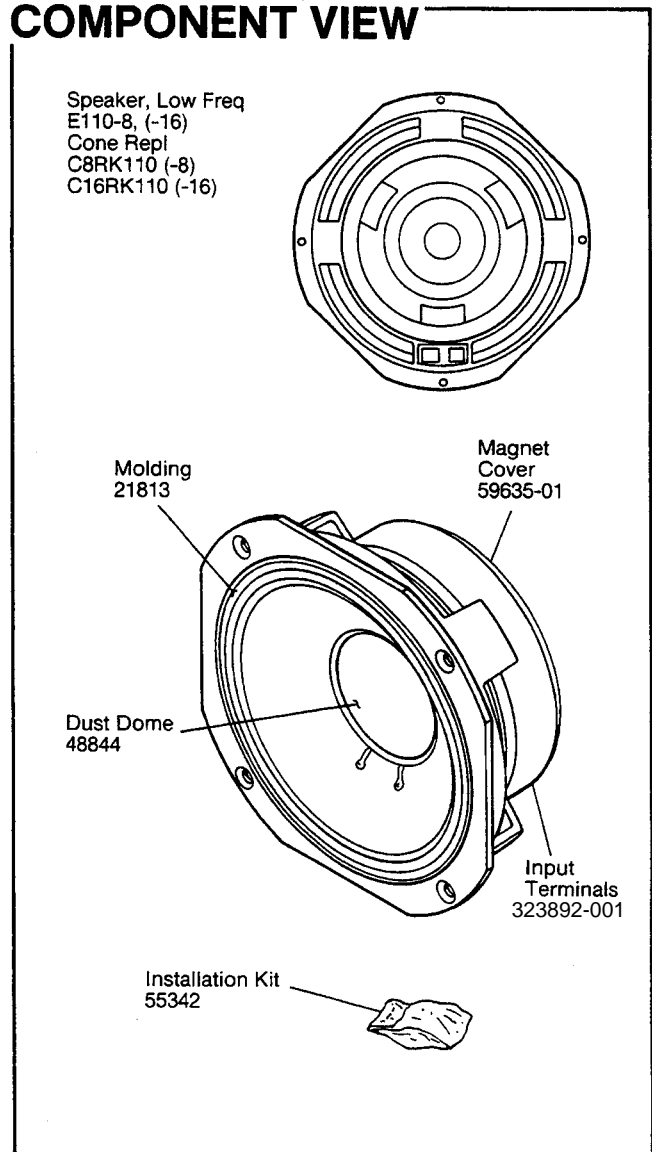
*1 Watt (2.83 V RMS) @ 1 Meter (-8)

*1 Watt (4.0 V RMS) @ 1 Meter (-16)

PACKAGE



COMPONENT VIEW

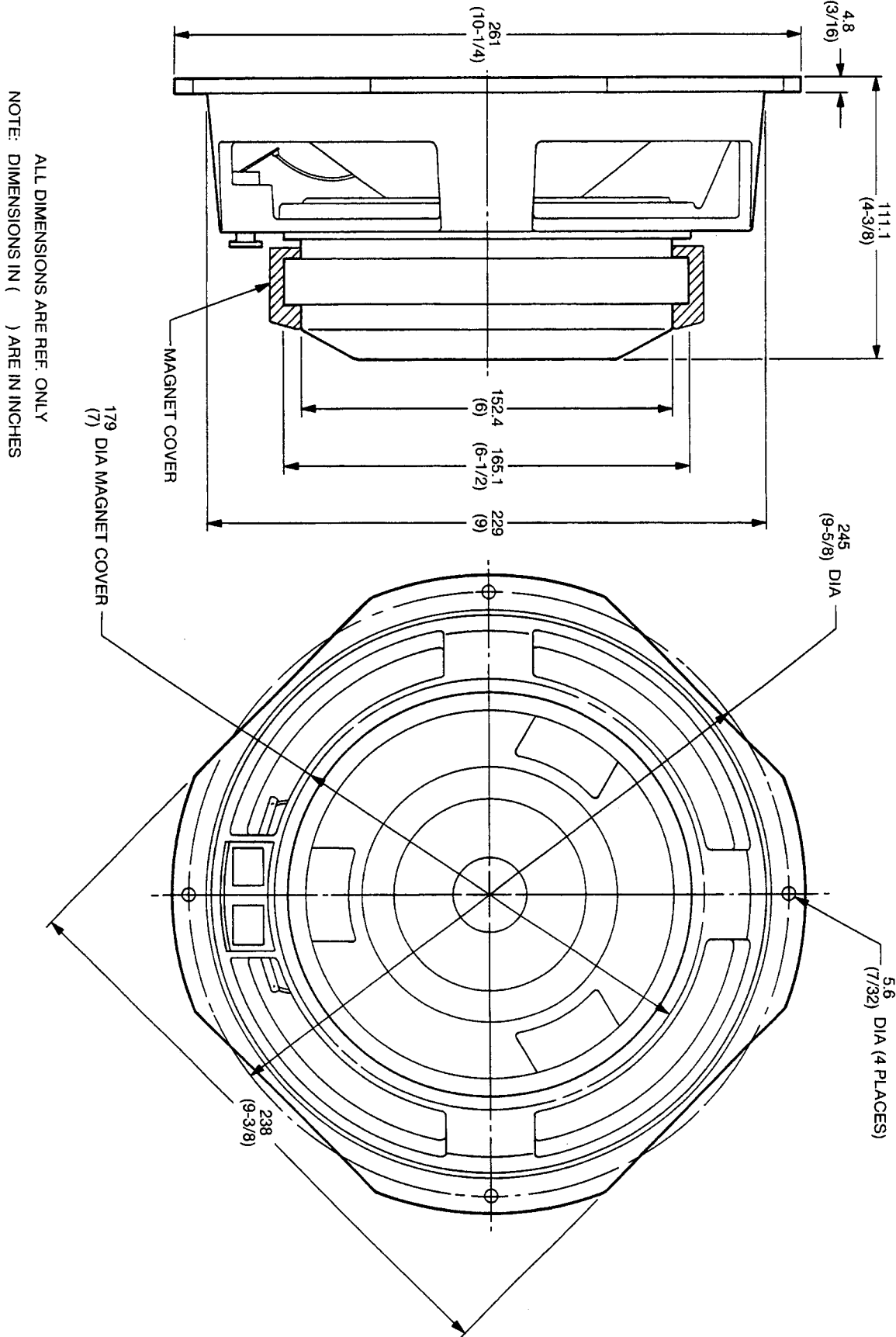


JBL E110-8, (-16) REV C

JBL E110-8, (-16)

MECHANICAL DRAWING

THESE DRAWINGS AND SPECIFICATIONS ARE THE PROPERTY OF JBL. UNLESS INDICATED, THEY ARE ISSUED IN STRICT CONFIDENCE AND SHALL NOT BE REPRODUCED, COPIED, OR USED AS THE BASIS FOR MANUFACTURE OR SALE OF APPARATUS WITHOUT WRITTEN PERMISSION.



ALL DIMENSIONS ARE REF. ONLY
NOTE: DIMENSIONS IN () ARE IN INCHES

JBL E110-8, (-16)