

# Technical Manual

# JBL E120-8, (-16)

## SPECIFICATIONS



### ACOUSTIC & ELECTRICAL SPECIFICATIONS:

- Nominal Impedance: 8 ohm, 16 ohm
- Power Capacity: 300W Continuous Program  
150W Continuous Sine Wave<sup>2</sup>
- Frequency Range: 50 Hz to 6000 Hz
- Sensitivity: 103 dB SPL\*
- Crossover Frequencies: N/A

### SYSTEM COMPONENTS:

- Cabinet: N/A
- Grille: N/A
- Low Frequency Transducer: 300mm (12 in.) Cone Transducer (E120-8, -16)
- DC Resistance: 6.3 ohm  $\pm$ 10% Aluminum Wire (-8)  
13.0 ohm  $\pm$ 10% Aluminum Wire (-16)

### AURAL SWEEP TEST SPECIFICATIONS:

- L.F. Aural Sweep Test: 7.0V Input, 20 Hz to 1.2 kHz (-8)  
14.0V Input, 20 Hz to 1.2 kHz (-16)

### PHYSICAL SPECIFICATIONS:

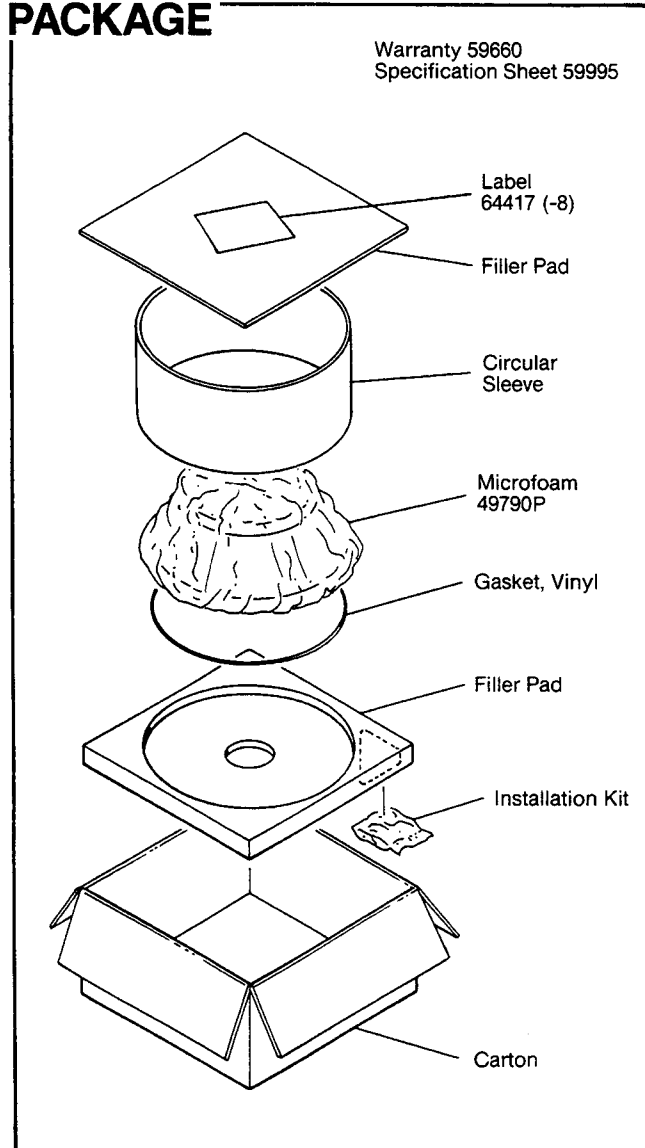
- Enclosure Dimensions: 311mm x 311mm x 111mm D  
(12.25 x 12.25 x 4.38 in. D)
- Net Weight: 20 lbs. (9.5 kg.)

### WARRANTY INFORMATION:

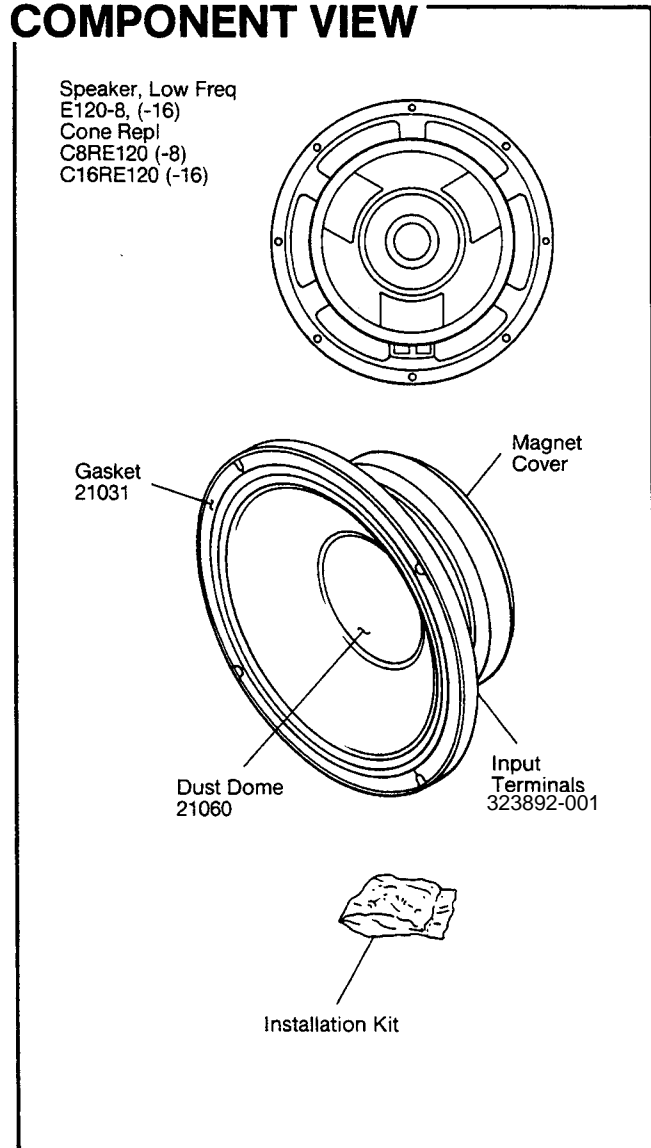
- Refer to the Warranty Statement packed with each product.

\*1 Watt (2.83 V RMS) @ 1 Meter (-8)  
\*1 Watt (4.0 V RMS) @ 1 Meter (-16)

## PACKAGE



## COMPONENT VIEW

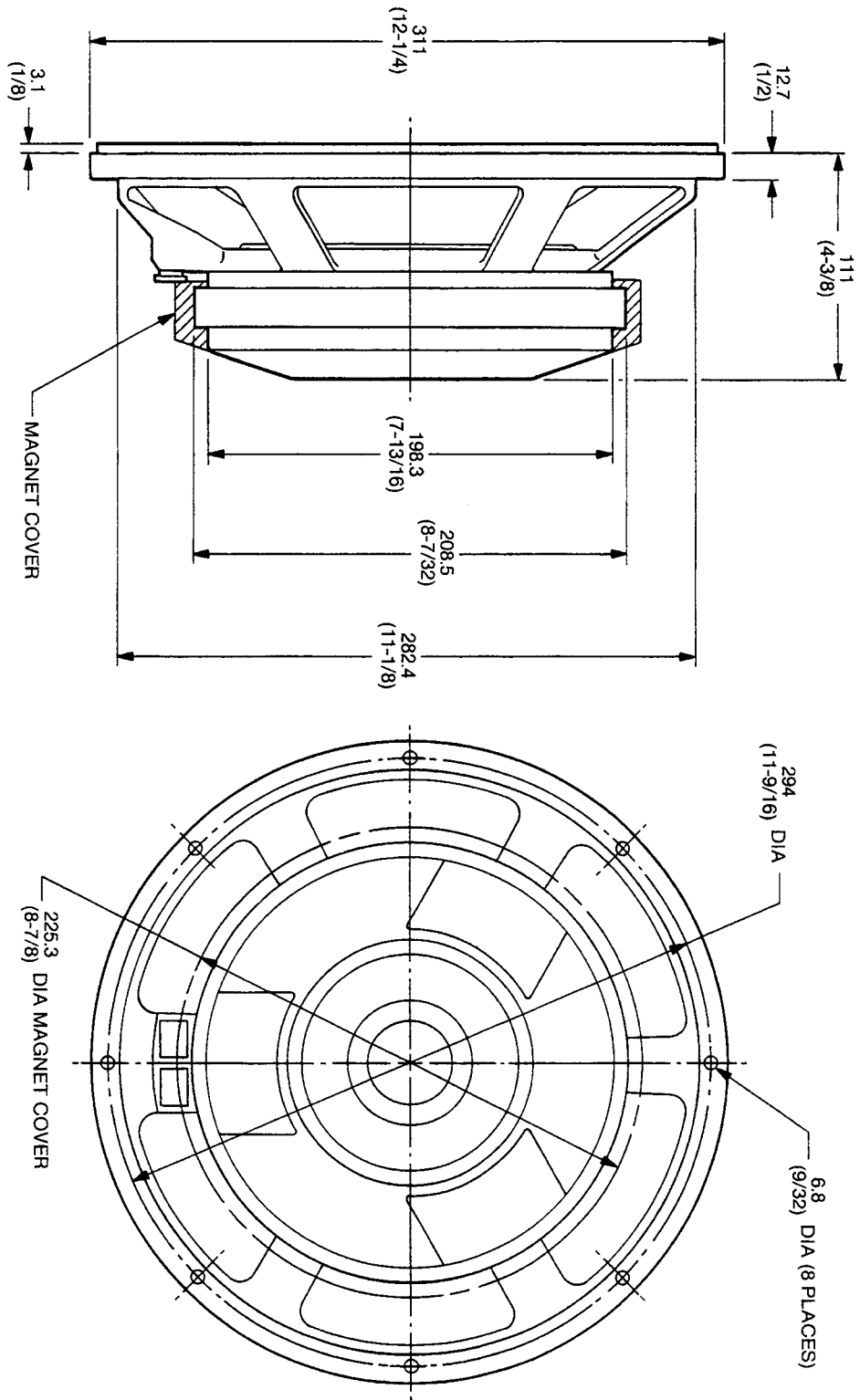


JBL E120-8, (-16) REV C

# JBL E120-8, (-16)

## MECHANICAL DRAWING

THESE DRAWINGS AND SPECIFICATIONS ARE THE PROPERTY OF JBL INCORPORATED. THEY ARE ISSUED IN STRICT CONFIDENCE AND SHALL NOT BE REPRODUCED, COPIED, OR USED AS THE BASIS FOR MANUFACTURE OR SALE OF APPARATUS WITHOUT WRITTEN PERMISSION.



ALL DIMENSIONS ARE REF. ONLY  
NOTE: DIMENSIONS IN ( ) ARE IN INCHES

JBL E120-8, (-16)