

# Technical Manual

# JBL E145-8, (-16)

## SPECIFICATIONS



### ACOUSTIC & ELECTRICAL SPECIFICATIONS:

- Nominal Impedance: 8 ohm, 16 ohm
- Power Capacity: 300W Continuous Program  
150W Continuous Sine Wave<sup>2</sup>
- Frequency Range: 35 Hz to 2.5 Hz
- Sensitivity: 98 dB SPL\*
- Crossover Frequencies: N/A

### SYSTEM COMPONENTS:

- Cabinet: N/A
- Grille: N/A
- Low Frequency Transducer: 380mm (15 in.) Cone Transducer (E145-8, -16)
- DC Resistance: 5.8 ohm ±10% Copper Wire (-8)  
13.2 ohm ±10% Copper Wire (-16)

### AURAL SWEEP TEST SPECIFICATIONS:

- L.F. Aural Sweep Test: 7.0V Input, 20 Hz to 1.2 kHz (-8)  
14.0V Input, 20 Hz to 1.2 kHz (-16)

### PHYSICAL SPECIFICATIONS:

- Enclosure Dimensions: 403mm x 403mm x 159mm D  
(15.87 x 15.87 x 6.25 in. D)
- Net Weight: 28-1/2 lbs. (13.0 kg.)

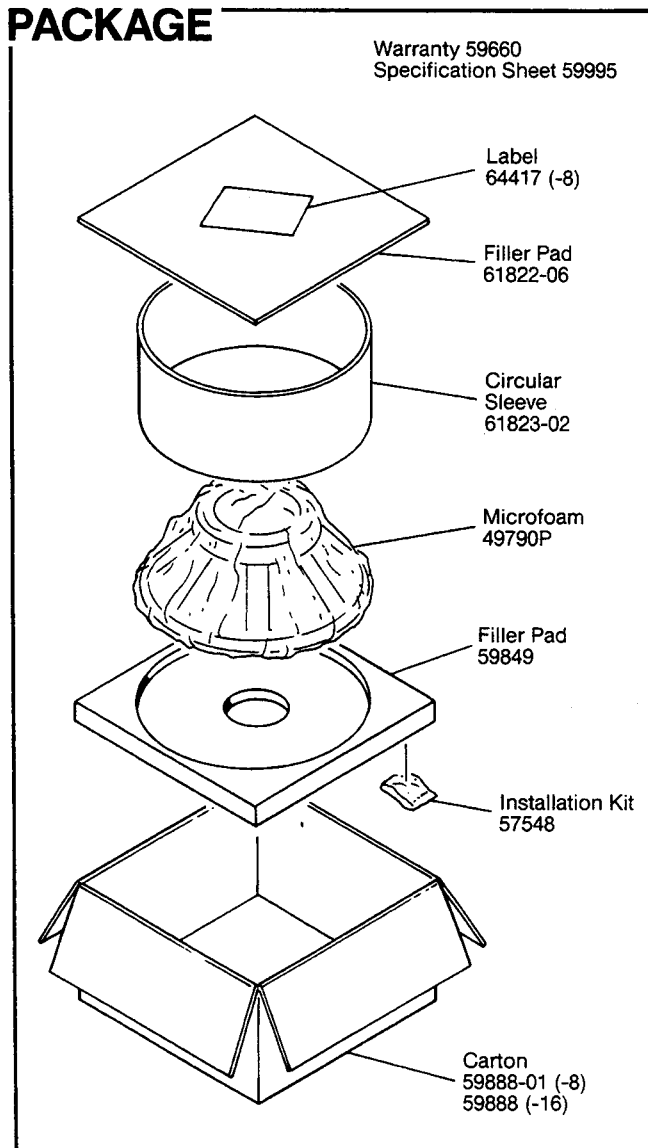
### WARRANTY INFORMATION:

- Refer to the Warranty Statement packed with each product.

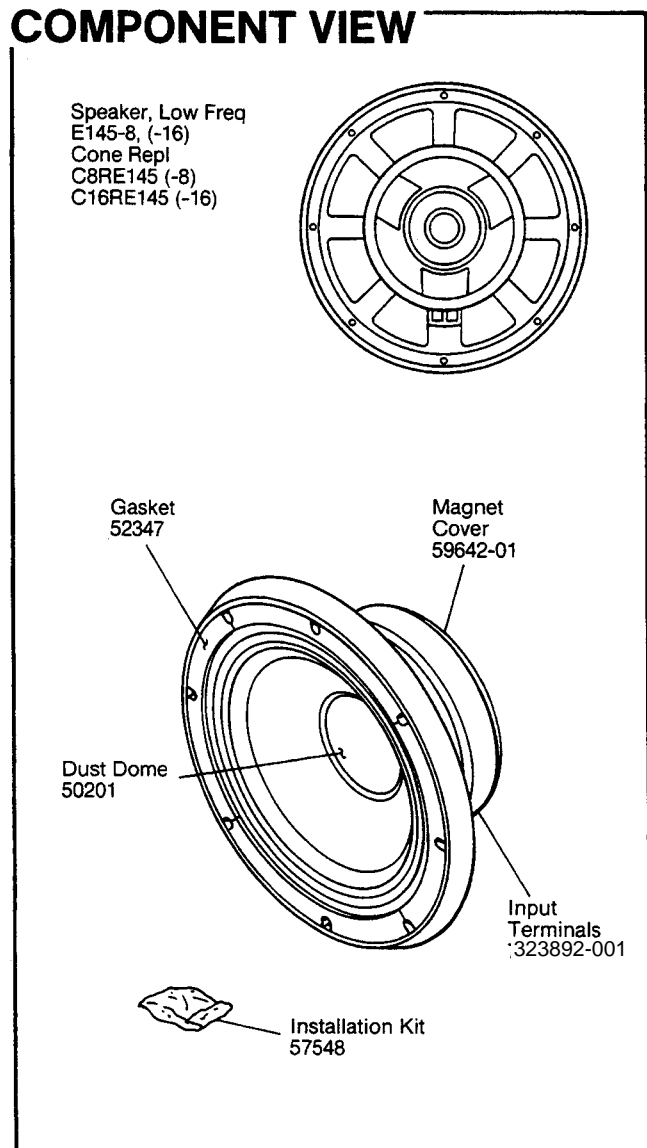
\*1 Watt (2.83 V RMS) @ 1 Meter (-8)

\*1 Watt (4.0 V RMS) @ 1 Meter (-16)

## PACKAGE



## COMPONENT VIEW

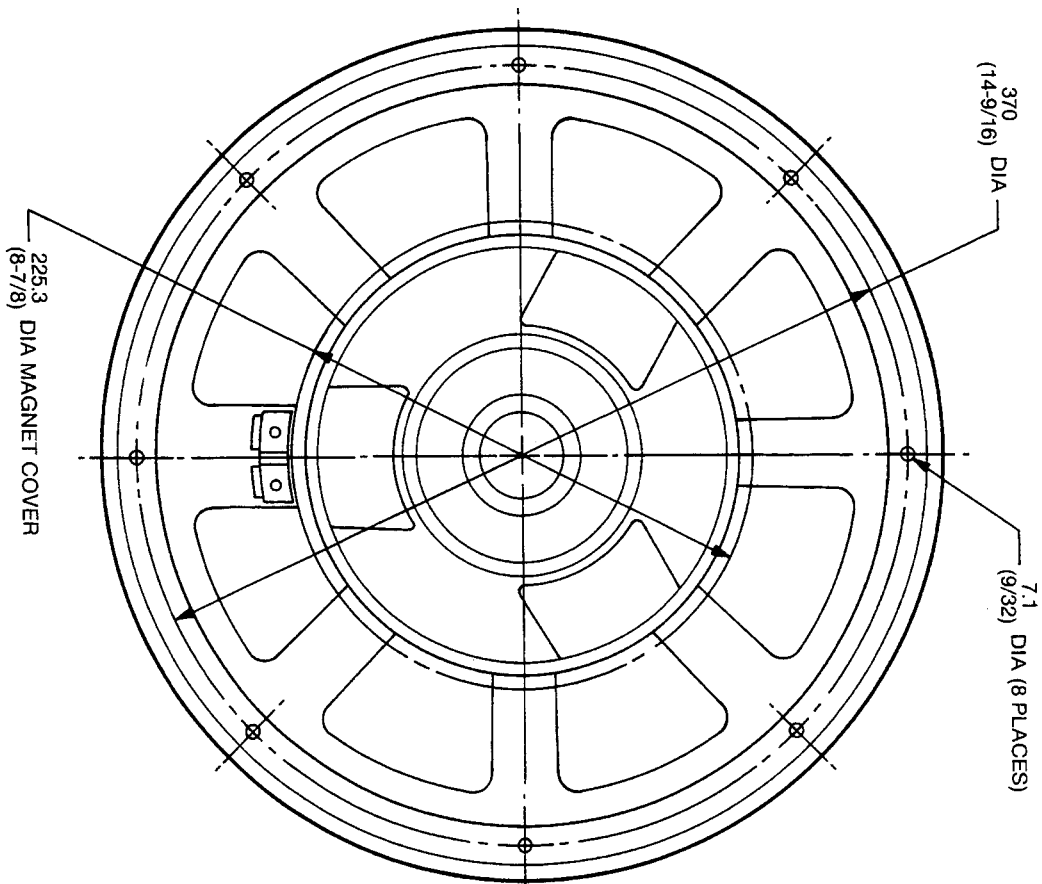
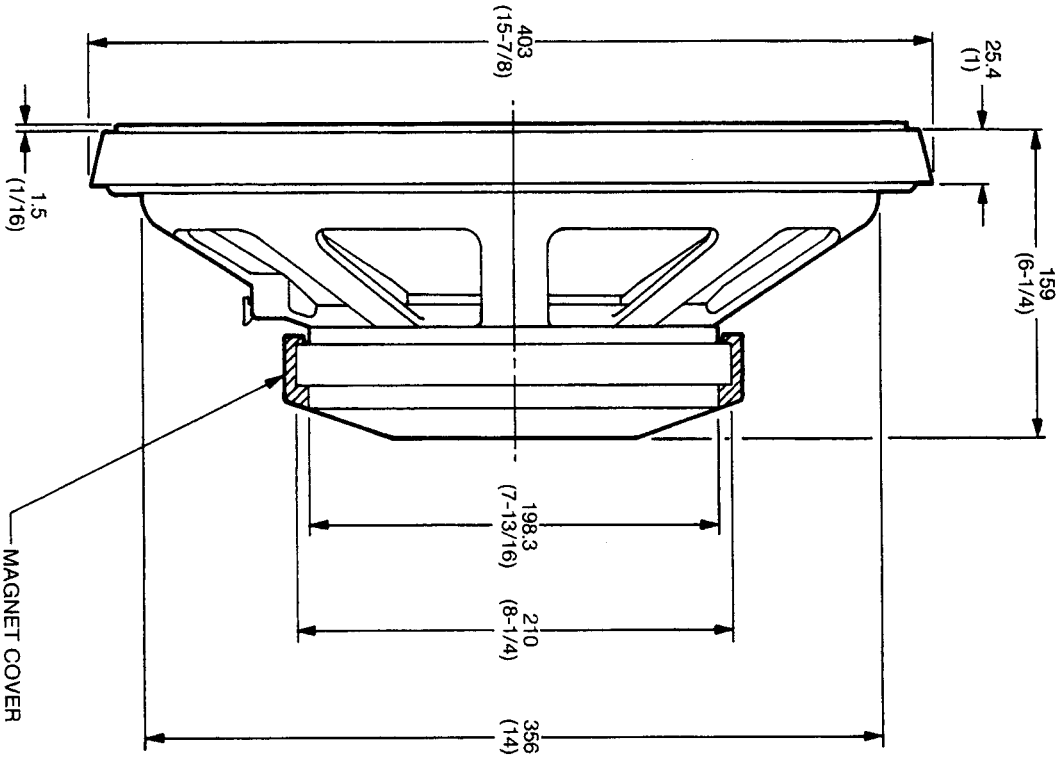


JBL E145-8, (-16) REV D

# JBL E145-8, (-16)

## MECHANICAL DRAWING

THESE DRAWINGS AND SPECIFICATIONS ARE THE PROPERTY OF JBL, INCORPORATED. THEY ARE ISSUED IN STRICT CONFIDENCE AND SHALL NOT BE REPRODUCED, COPIED, OR USED AS THE BASIS FOR MANUFACTURE OR SALE OF APPARATUS WITHOUT WRITTEN PERMISSION.



ALL DIMENSIONS ARE REF. ONLY  
NOTE: DIMENSIONS IN ( ) ARE IN INCHES

JBL E145-8, (-16)