

# Technical Manual

# JBL G125-8

## SPECIFICATIONS



### ACOUSTIC & ELECTRICAL SPECIFICATIONS:

- Nominal Impedance: 8 ohm
- Power Capacity: 200W
- Frequency Range: 60 Hz to 7000 Hz
- Sensitivity: 102 dB SPL\*
- Crossover Frequencies: N/A

### SYSTEM COMPONENTS:

- Cabinet: N/A
- Grille: N/A
- Low Frequency Transducer: 300mm (12 in.) Cone Transducer (G125-8)
- DC Resistance: 4.2 ohm  $\pm$ 10% Aluminum Wire

### AURAL SWEEP TEST SPECIFICATIONS:

- L.F. Aural Sweep Test: 4.0V Input, 20 Hz to 1.2 kHz

### PHYSICAL SPECIFICATIONS:

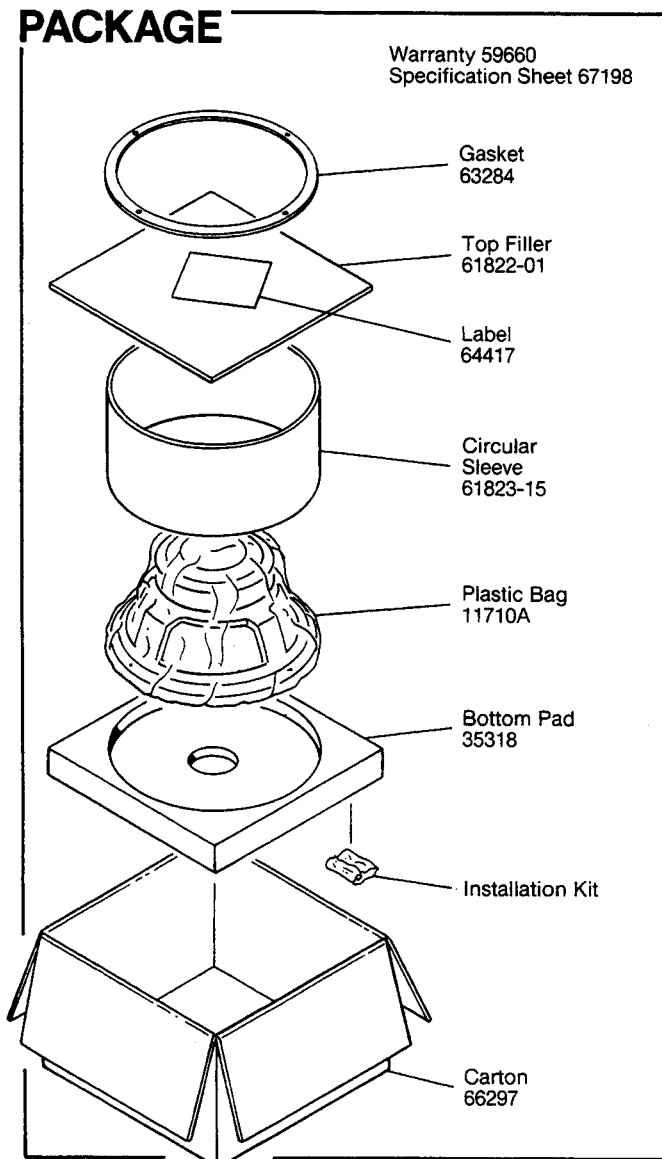
- Enclosure Dimensions: 313mm x 313mm x 146mm D (12.31 x 12.31 x 5.75 in. D)
- Net Weight: 12 lbs. (5.5 kg.)

### WARRANTY INFORMATION:

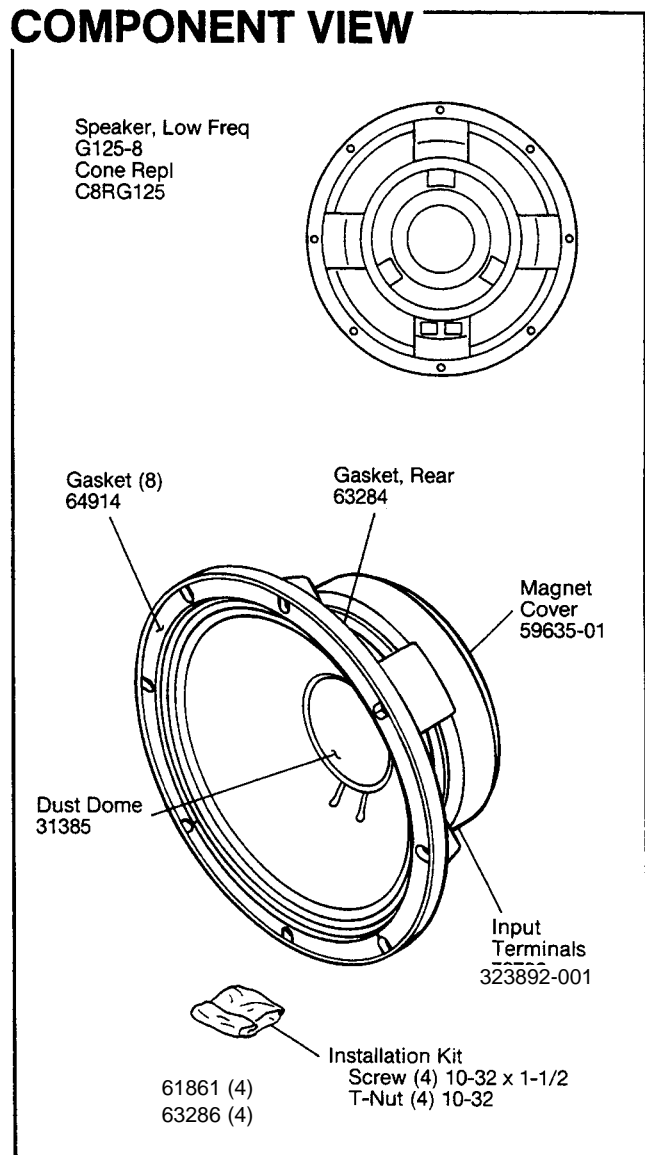
- Refer to the Warranty Statement packed with each product.

\*1 Watt (2.83 V RMS) @ 1 Meter

## PACKAGE



## COMPONENT VIEW

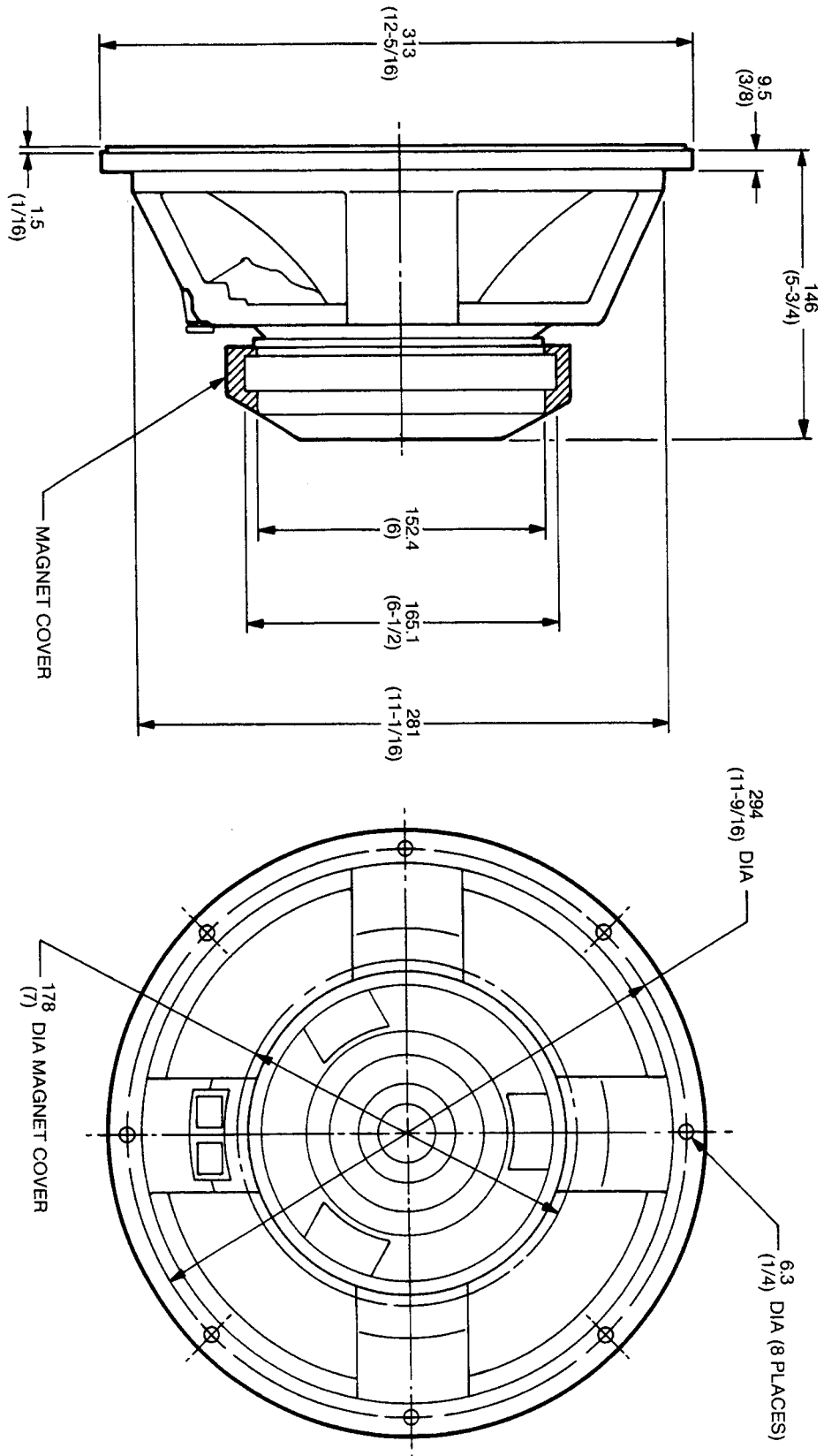


JBL G125-8 REV C

# JBL G125-8

## MECHANICAL DRAWING

THESE DRAWINGS AND SPECIFICATIONS ARE THE PROPERTY OF JBL, INCORPORATED. THEY ARE ISSUED IN STRICT CONFIDENCE AND SHALL NOT BE REPRODUCED, COPIED, OR USED AS THE BASIS FOR MANUFACTURE OR SALE OF APPARATUS WITHOUT WRITTEN PERMISSION.



ALL DIMENSIONS ARE REF. ONLY  
NOTE: DIMENSIONS IN ( ) ARE IN INCHES

JBL G125-8