

Technical Manual



JBL EON515/230

SPECIFICATIONS

ACOUSTIC & ELECTRICAL SPECIFICATIONS:

- System Power Rating: 450W continuous, 900W peak
- Frequency Response: 42 Hz – 18 kHz (± 3 dB) (EQ in "Flat" position)
- Frequency Range: 39 Hz – 20kHz (-10 dB) (EQ in "Flat" position)
- LF Power Amp: 350W continuous at driver impedance
- HF Power Amp: 100W continuous at driver impedance
- Input Gain (input 3): Mic position: -Infinity to +40 dB
Line position: -Infinity to +4 dB (+20 dBu Max signal input)
- Input Gain (input 1 & 2): -Infinity to +4 dB (+20) dBu Max signal input)
- Input Impedance: 64 K ohms (balanced) 32 K (unbalanced)
- Boost EQ: LF +3 dB Shelving Filter @ 200 Hz
HF + 25 dB Shelving Filter @ 4 kHz
Preset high pass @ 120 Hz
- Low Cut Filter:
- Crossover Frequency: 2.2 kHz

SYSTEM COMPONENTS:

- Cabinet: (Not for Sale)
- Baffle/Grille Assembly: 441739-001
- Low Frequency Transducer: 265F-1 380 mm (15 in) Differential Drive® integrated woofer with dual 2" voice coils

SYSTEM COMPONENTS: (CONT'D)

- DC Resistance: 1.35 ohm $\pm 10\%$
- High Frequency Transducer: 2414H 25.4 mm (1 in) neodymium compression driver
- DC Resistance: 3.60 ohm $\pm 0.2\%$
- Input 3 connector: Balanced XLR / 1/4 inch TRS combo jack with XLR loop through
- Input 1 & 2 connectors: Balanced 1/4 inch TRS jack
- Output (Loop/Mix switch): Balanced male XLR, +20 dBu (peak) o/p level in MIX position
- XLR Pin Assignments: Pin 2 (+), Pin 3 (-), Pin 1 (GRN)

AURAL SWEEP TEST SPECIFICATIONS:

- A. System Aural Sweep Test: 1.0V Input, 20 Hz to 2 kHz
Ch 1 Input all and pots full clockwise
- B. L.F. Aural Sweep Test: 3.5V Input, 10 Hz to 300 Hz
- C. H.F. Aural Sweep Test: .75V Input, 500 Hz to 1.5 kHz

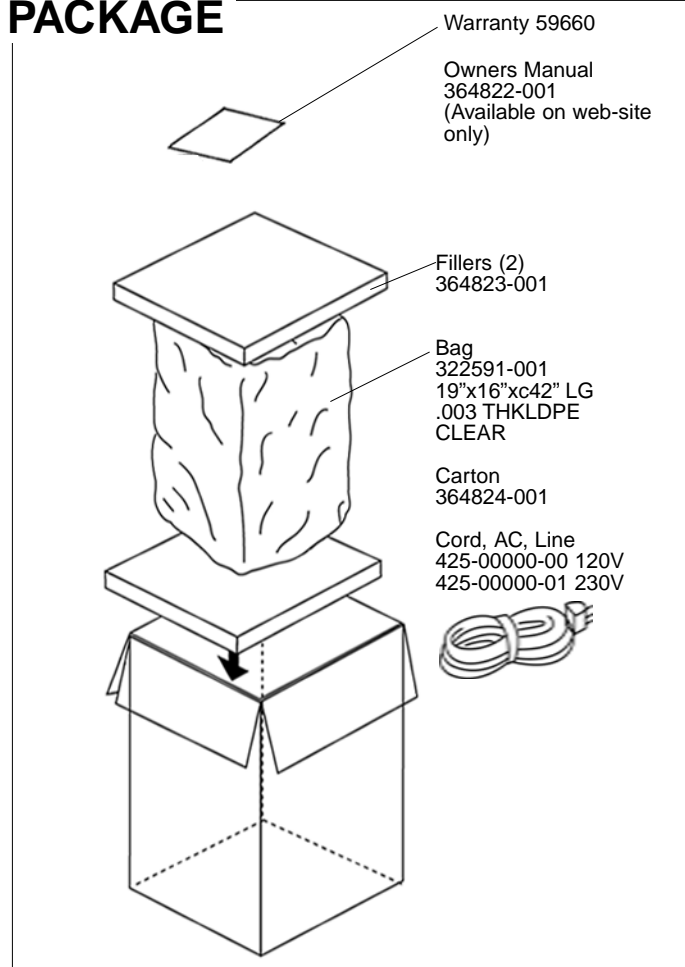
PHYSICAL SPECIFICATIONS:

- Enclosure Dimensions: 685 x 435 x 366 mm D
(27.0 x 17.3 x 14.4 in D)
- Shipping Weight: 32.5 lb (14.8 kg)

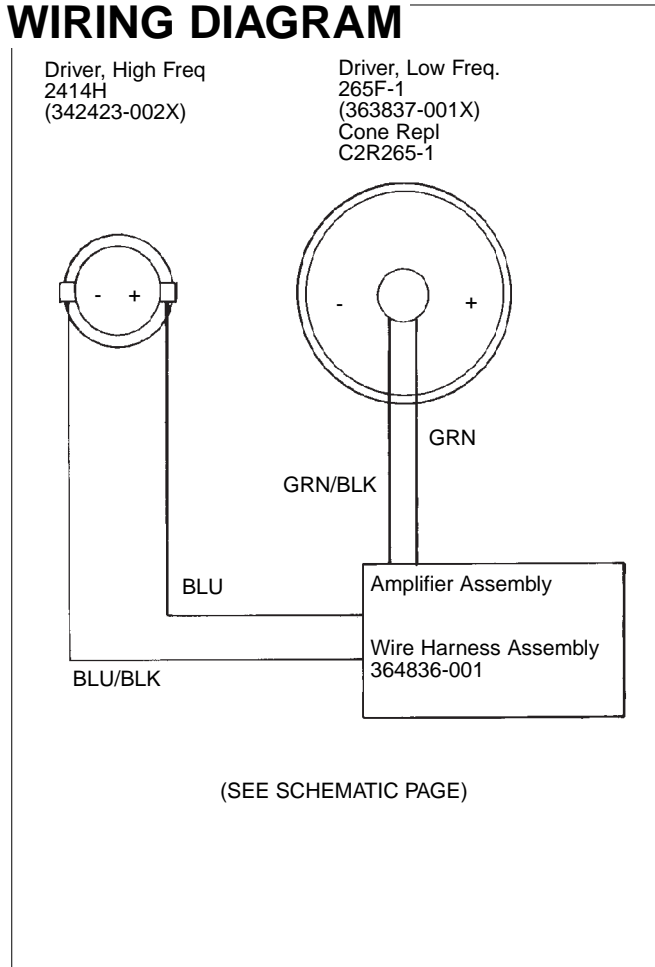
WARRANTY INFORMATION:

- Refer to Warranty Statement packed with each product.

PACKAGE



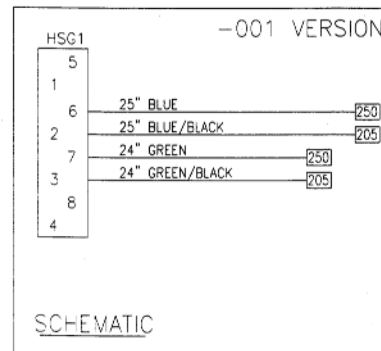
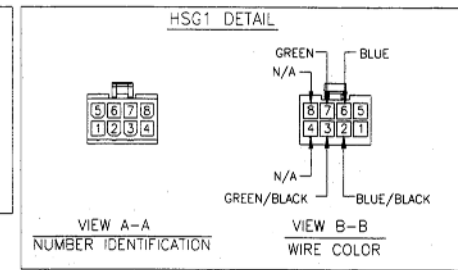
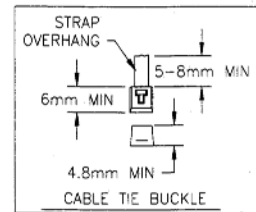
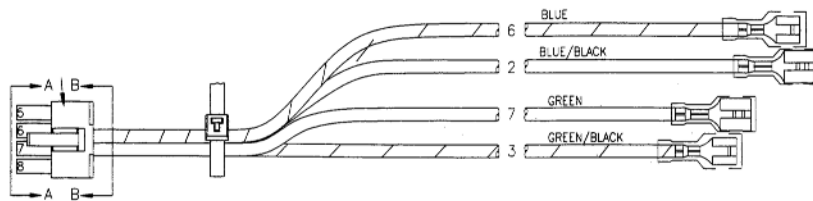
WIRING DIAGRAM



JBL EON515/230 REV1

JBL EON515/230

SCHEMATIC (Wire Harness) 364836-001



JBL EON515/230

COMPONENT EXPLODED VIEW

Please note: grille assembly is not available seperately.

Baffle/Grille Assembly
441739-001

Enclosure Assembly
EON515/230 (Not Available for Sale)

Gasket, Enclosure
364835-001

Driver, High Freq.
2414H
(342423-002X)

Upper Handle
364654-001

Cover, Fly Bolt (2)
364805-001

Screw (4)
814-41300-06
M4 x 6MM
PAN, PHILLIPS CLEAR,
ZINC

Amp Board
140296-6JBL

Input Module
442973-001

A/C Inlet PCB
365428-001
(includes fuse)

Interface PCB
138927-1_4JBL

Ribbon Cable
140570-1JBL

Amplifier Gasket (2)
364821-001

Screw (12)
813-41300-15
M3 .5X 15MM
PAN, PH, CLR ZINC, LCS

Wire Harness
364836-001

Heat Sink
364674-001

Input Plate
364676-001

Logo, Heat Sink
364678-001

Cover Badge, Heat Sink
364679-001

Clip, MRX IGBT
138556-1JBL

Clip, EON 515 to -220
140323-1JBL

Silipad, EON515
140324-2JBL

Silipad, EON515 IGBT
138326-1JBL

Clip, MRX
138822-1JBL

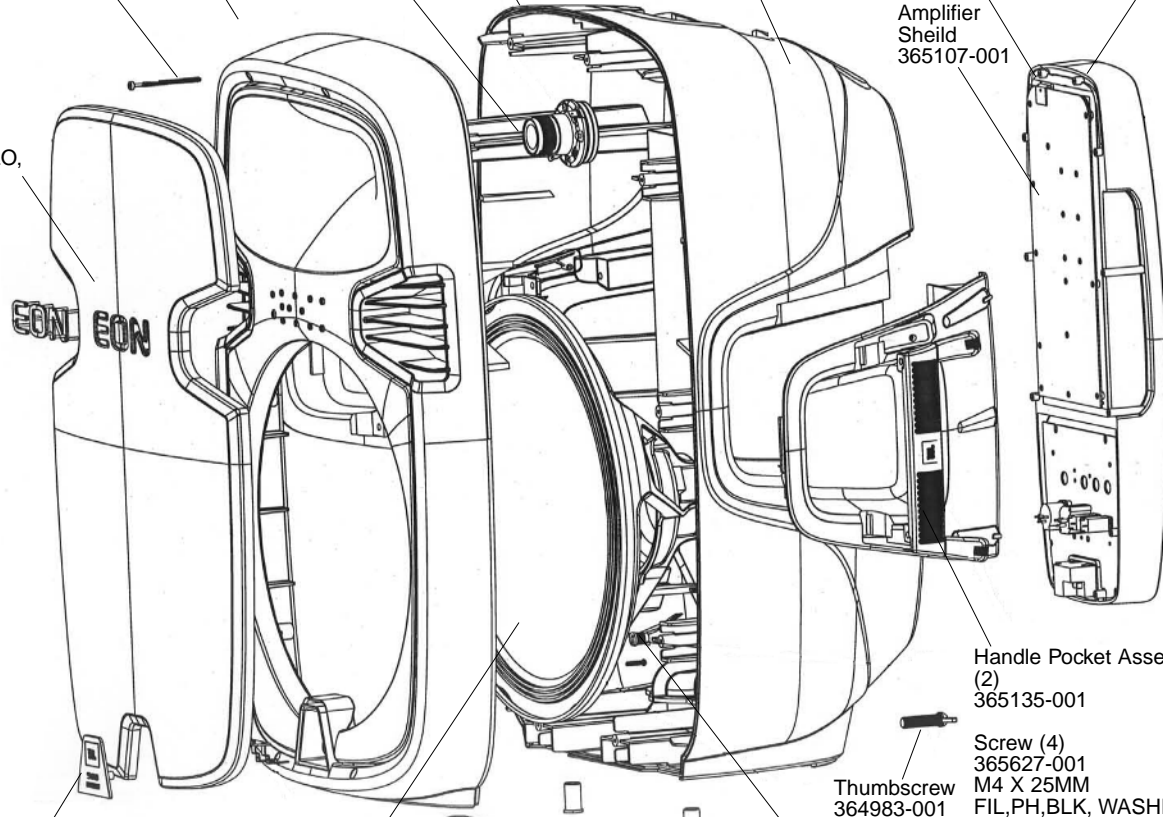
1/4" Phone Jack
444523-001

Screw (10)
365270-001
M4 x .65

Screw (2)
365435-001
M4 x 5MM
TREAD CUTTING

Amplifier
Shield
365107-001

Screw (33)
862-41410-10
6 x 5/8
PAN, PH, HIGHLO,
BLK ZINC, LCS



Logo Assembly
364804-001

Screw
813-21300-10
M3 .5X 10MM
RND, PH, CLR,
ZINC LCS

LED Terminal
365170-001

Driver, Low Freq.
265F-1
(363837-001X)
Cone Repl
C2R265-1

Screw (8)
365626-001
M5 PTx25MM
FIL, PH, BLK, ZINC,

Rubber Foot (2)
364802-001

Fly Bolt (4)
364616-001

Nut (4)
838-00800-00
M14, REG, CLR ZINC, RH

Washer (4)
848-00100-02
M14, REG, CLR ZINC

Sound Dampener (3)
365625-001

Handle Pocket Assembly
(2)
365135-001

Thumbscrew
364983-001

Screw (4)
365627-001
M4 X 25MM
FIL, PH, BLK, WASHER HD

Insert
365433-001
M6 x 12MM
PRB TYPE

Screw (4)
365628-001
Sm Handle

Cup Plug
365462-001