

Chassis Assembly Drawings

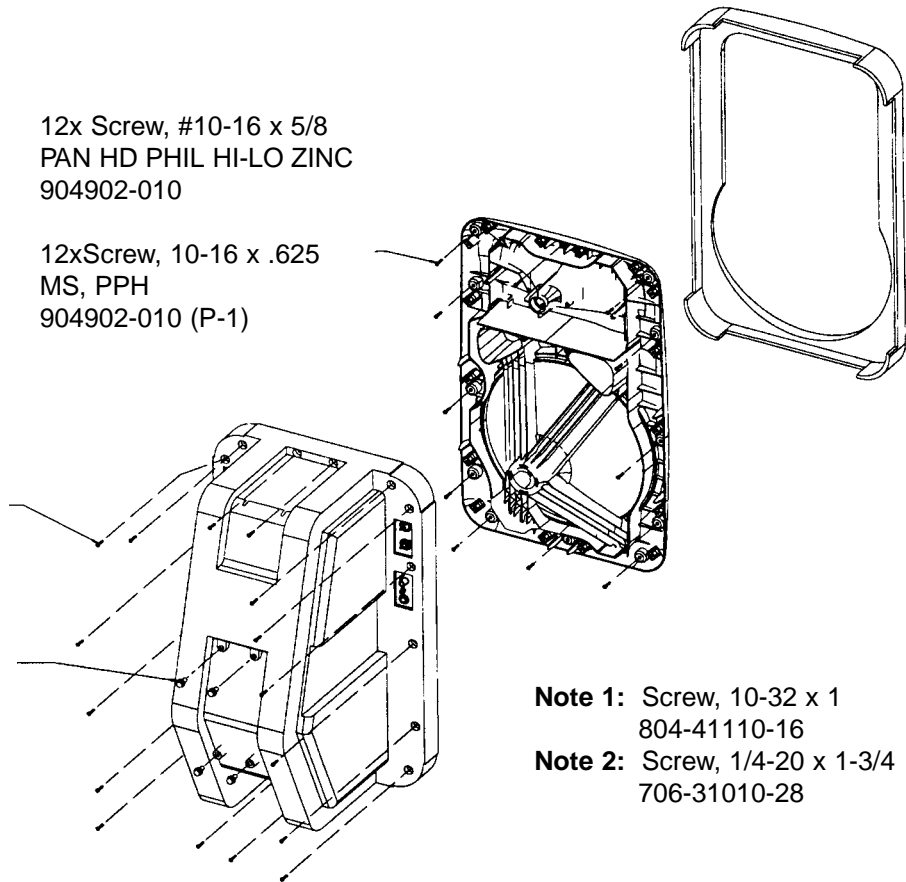
Enclosure Assembly All Models

12x Screw, #10-16 x 5/8
PAN HD PHIL HI-LO ZINC
904902-010

12xScrew, 10-16 x .625
MS, PPH
904902-010 (P-1)

16x Screw, #10-32 x 1-1/4
PAN HD PHIL BLACK
804-41110-20 15" Models Only
10" Models – See Note 1

4x Screw, 5/16-18 x 1-3/4
TRUSS HD PHIL BLACK
706-31010-2815" Models Only
10" Models – See Note 2



Note 1: Screw, 10-32 x 1
804-41110-16

Note 2: Screw, 1/4-20 x 1-3/4
706-31010-28

Handle Mounting Detail

15" Models Only

