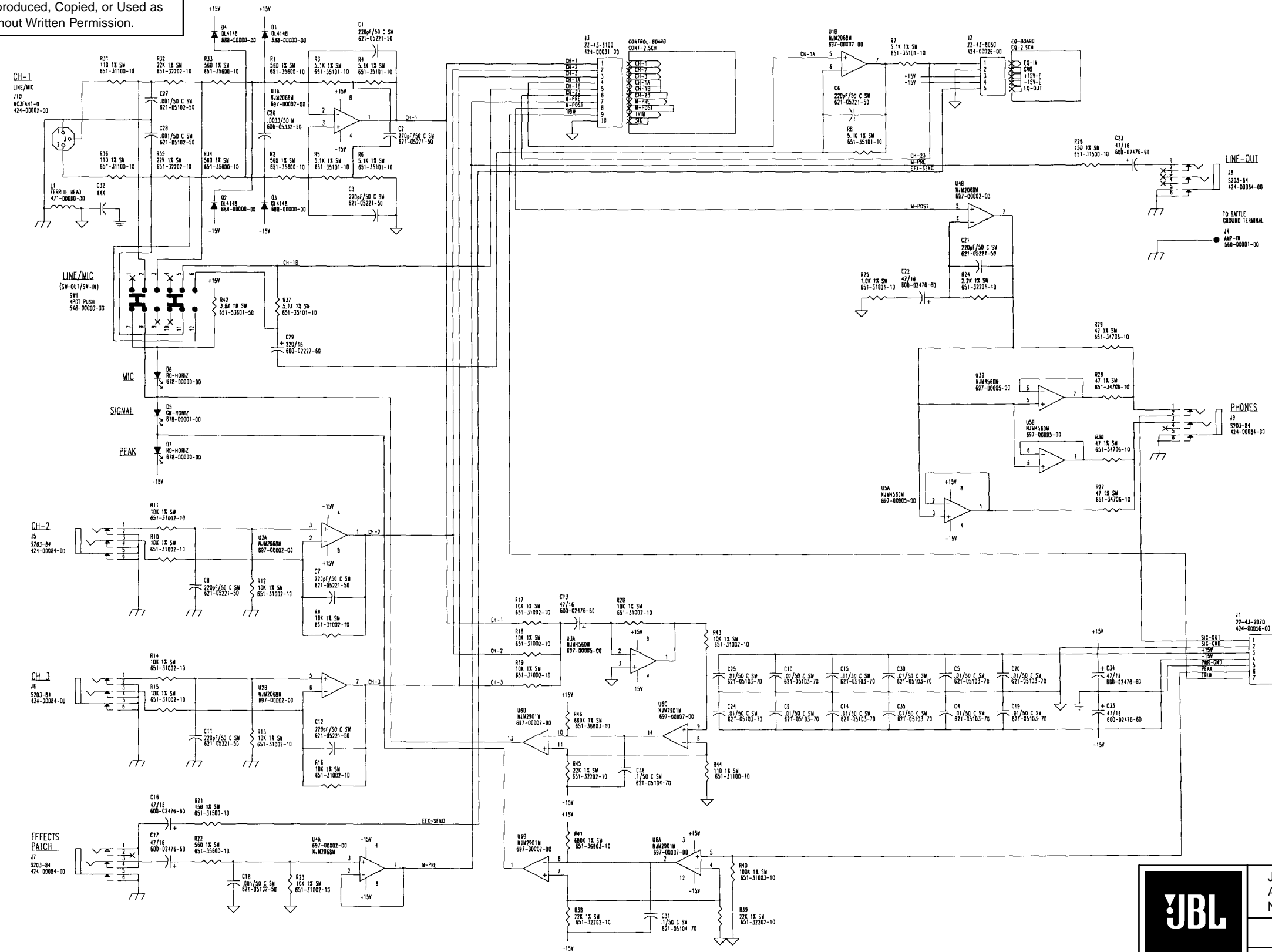


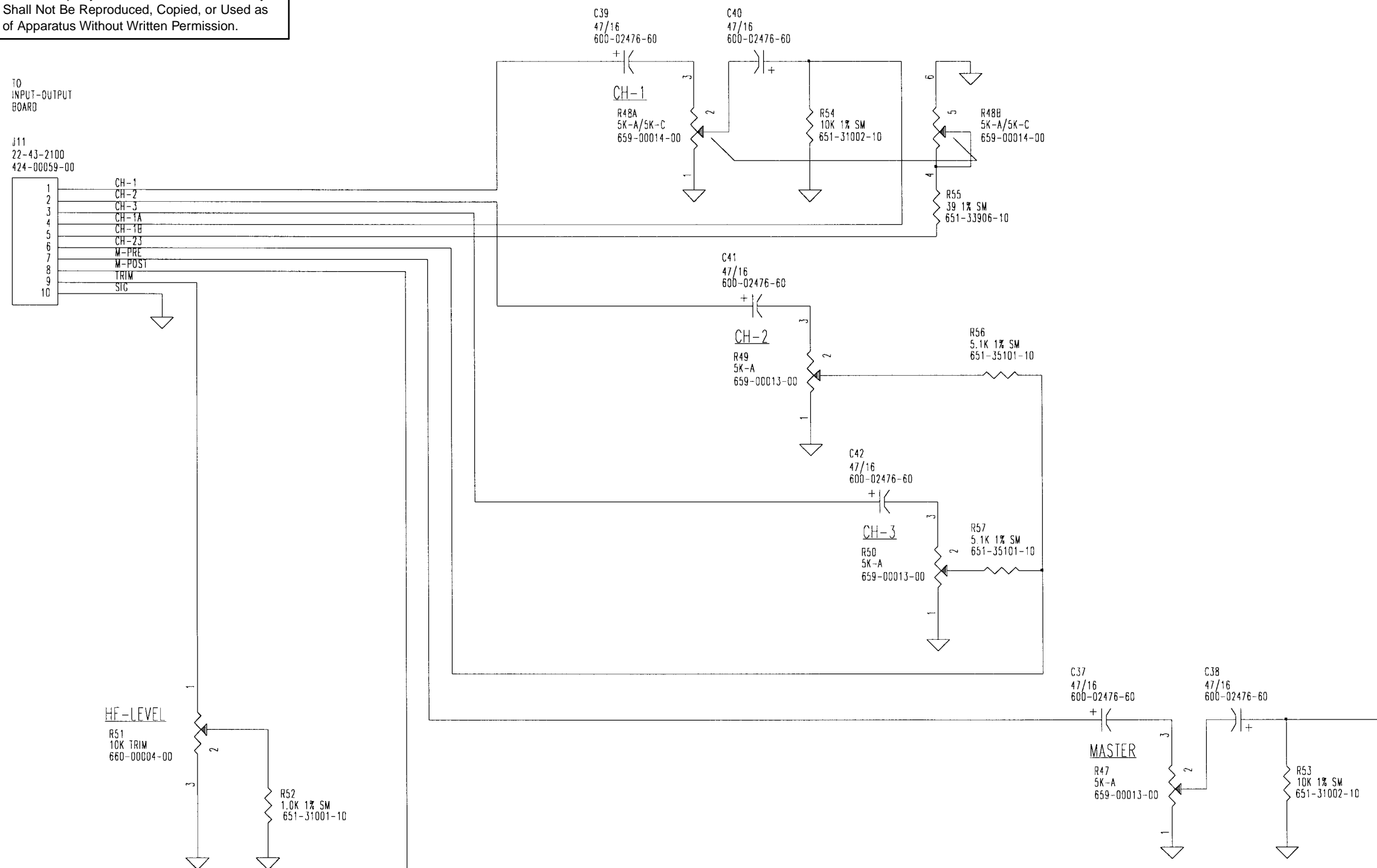
Schematic Keyboard 15 Input/Output Board

These Drawings and Specifications are the Property of JBL Professional Inc. They are Issued in Strict Confidence and Shall Not Be Reproduced, Copied, or Used as the Basis for Manufacturing or Sale of Apparatus Without Written Permission.



Schematic Keyboard 15 Control Board

These Drawings and Specifications are the Property of JBL Professional Inc. They are Issued in Strict Confidence and Shall Not Be Reproduced, Copied, or Used as the Basis for Manufacturing or Sale of Apparatus Without Written Permission.



JBL Professional
A Harman International Company
Northridge, California 91329, USA

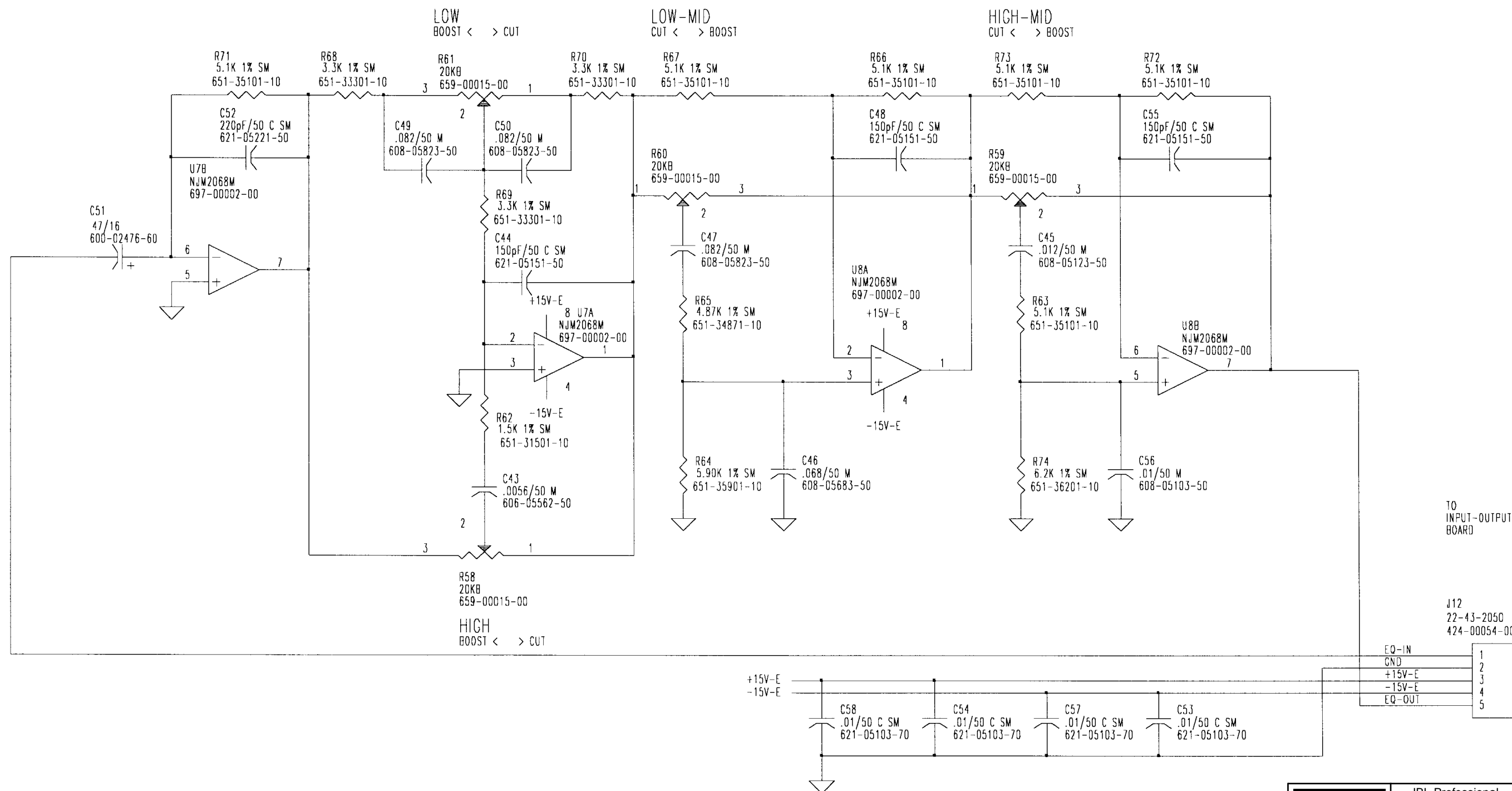
SCHEMATIC KEYBOARD 15
CONTROL BOARD

500-00019 / 2 of 3

REV X2

Schematic Keyboard 15 EQ Board

These Drawings and Specifications are the Property of JBL Professional Inc. They are Issued in Strict Confidence and Shall Not Be Reproduced, Copied, or Used as the Basis for Manufacturing or Sale of Apparatus Without Written Permission.



JBL PROFESSIONAL	JBL Professional A Harman International Company Northridge, California 91329, USA	
	SCHEMATIC KEYBOARD 15 EQ BOARD	
	500-00019 / 3 of 3	REV X2