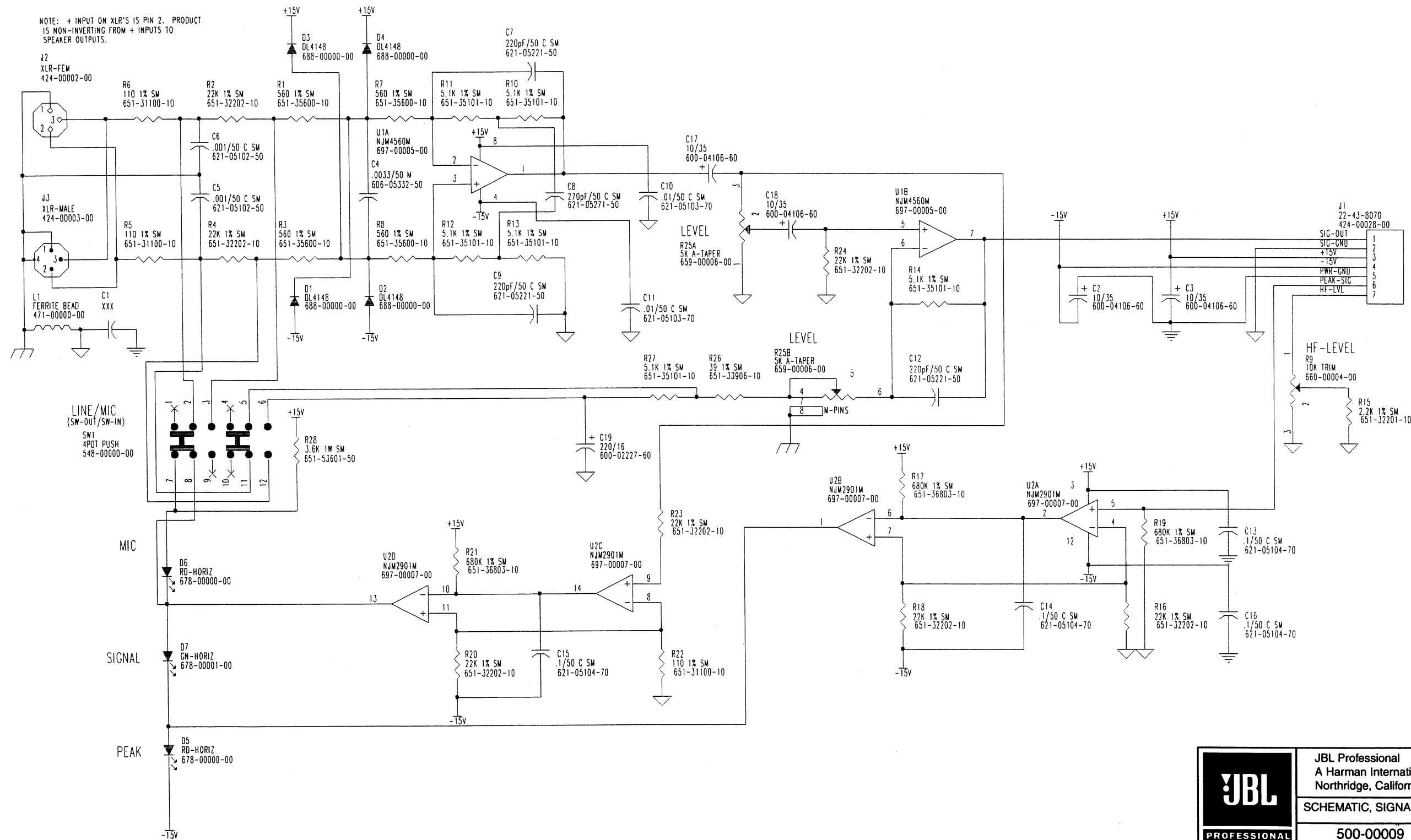


# Schematic Signal Input Assembly EON Power10

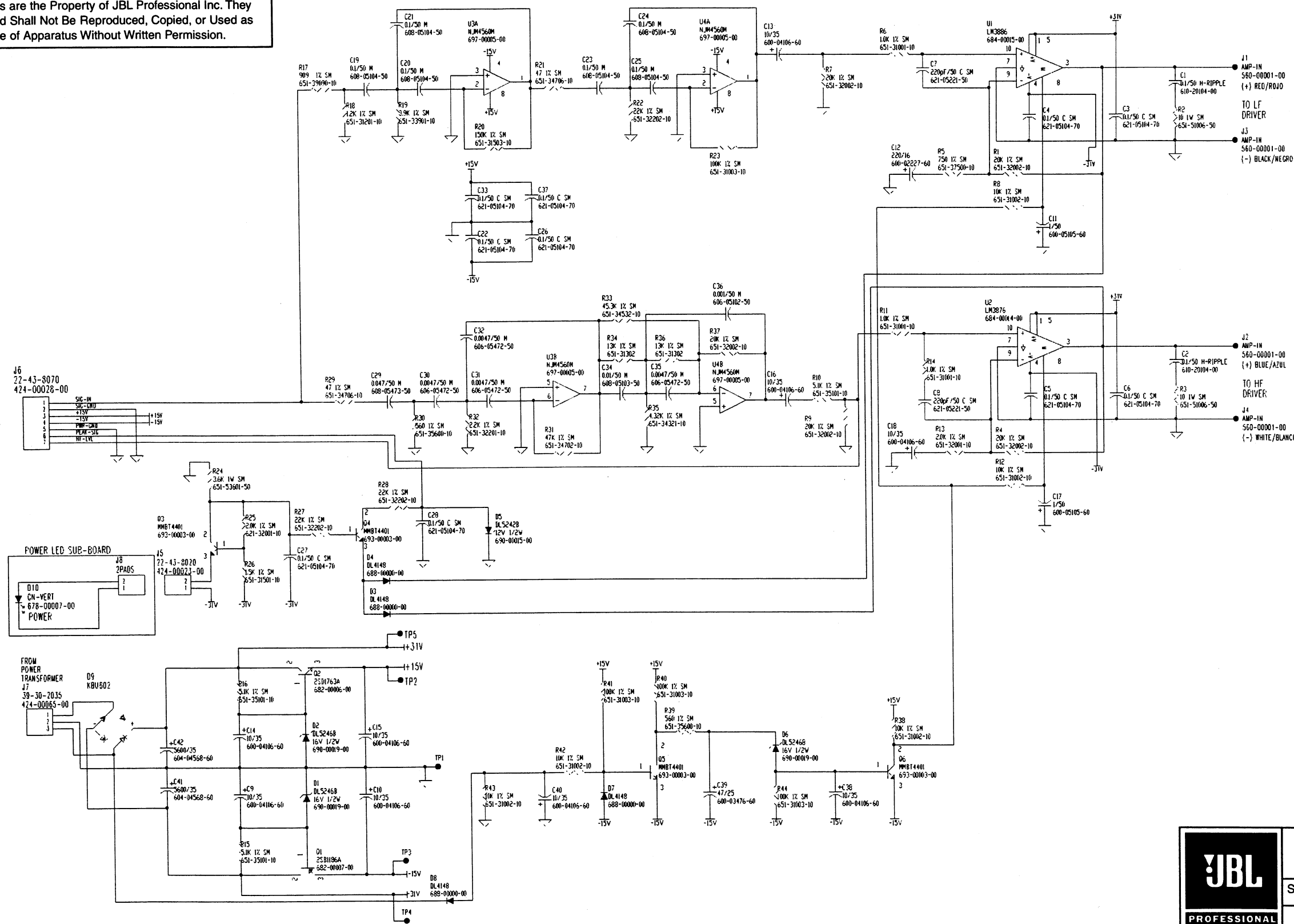
These Drawings and Specifications are the Property of JBL Professional Inc. They are Issued in Strict Confidence and Shall Not Be Reproduced, Copied, or Used as the Basis for Manufacturing or Sale of Apparatus Without Written Permission.



<b>JBL</b> PROFESSIONAL	JBL Professional A Harman International Company Northridge, California 91329, USA	
	SCHEMATIC, SIGNAL INPUT EON10P	
	500-00009	REV A

# Schematic Amp Assembly EON Power10

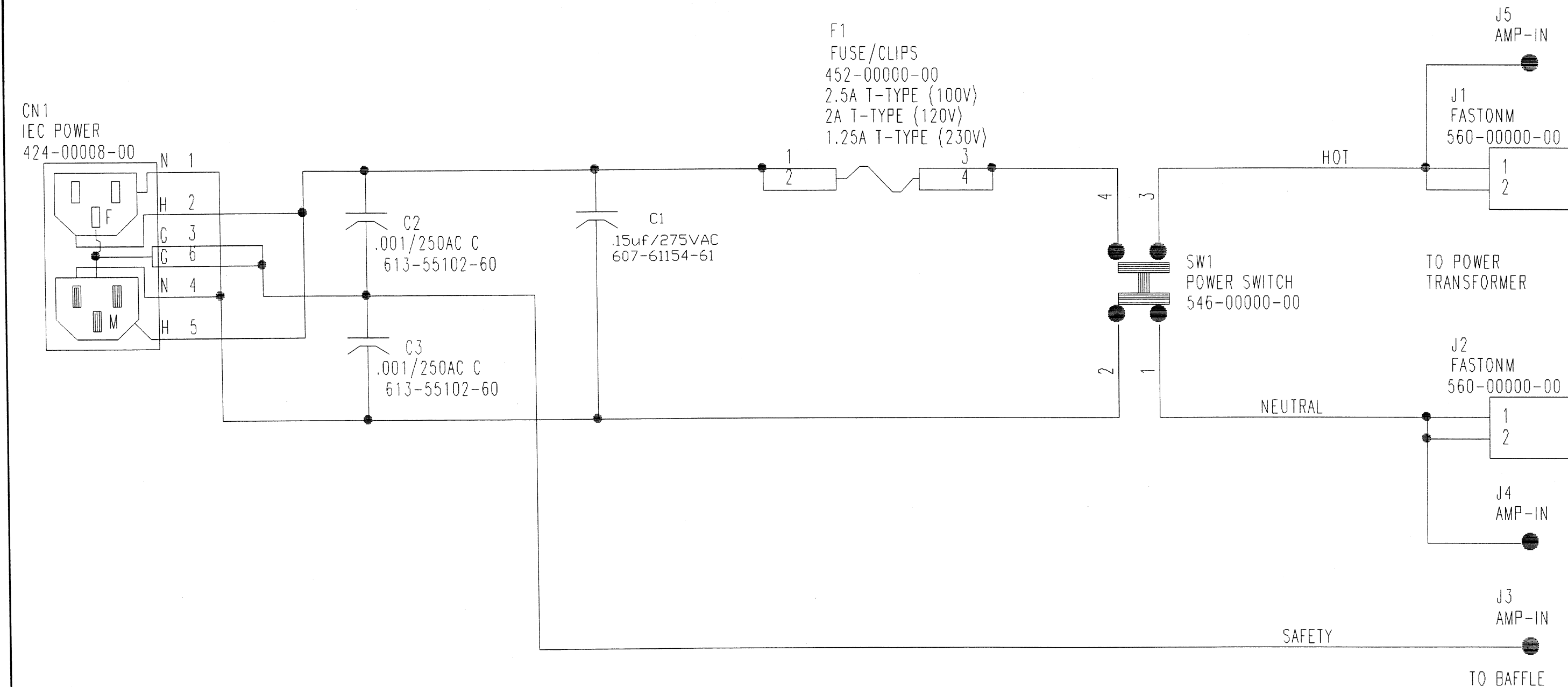
These Drawings and Specifications are the Property of JBL Professional Inc. They are Issued in Strict Confidence and Shall Not Be Reproduced, Copied, or Used as the Basis for Manufacturing or Sale of Apparatus Without Written Permission.



	JBL Professional A Harman International Company Northridge, California 91329, USA	
	SCHEMATIC, MAIN AMP BRD EON10P	
	500-00007	REV B

# Schematic AC Input Assembly EON Power10

These Drawings and Specifications are the Property of JBL Professional Inc. They are Issued in Strict Confidence and Shall Not Be Reproduced, Copied, or Used as the Basis for Manufacturing or Sale of Apparatus Without Written Permission.



	JBL Professional A Harman International Company Northridge, California 91329, USA	
	SCHEMATIC, AC INPUT EON 10P	
	500-00010	REV B