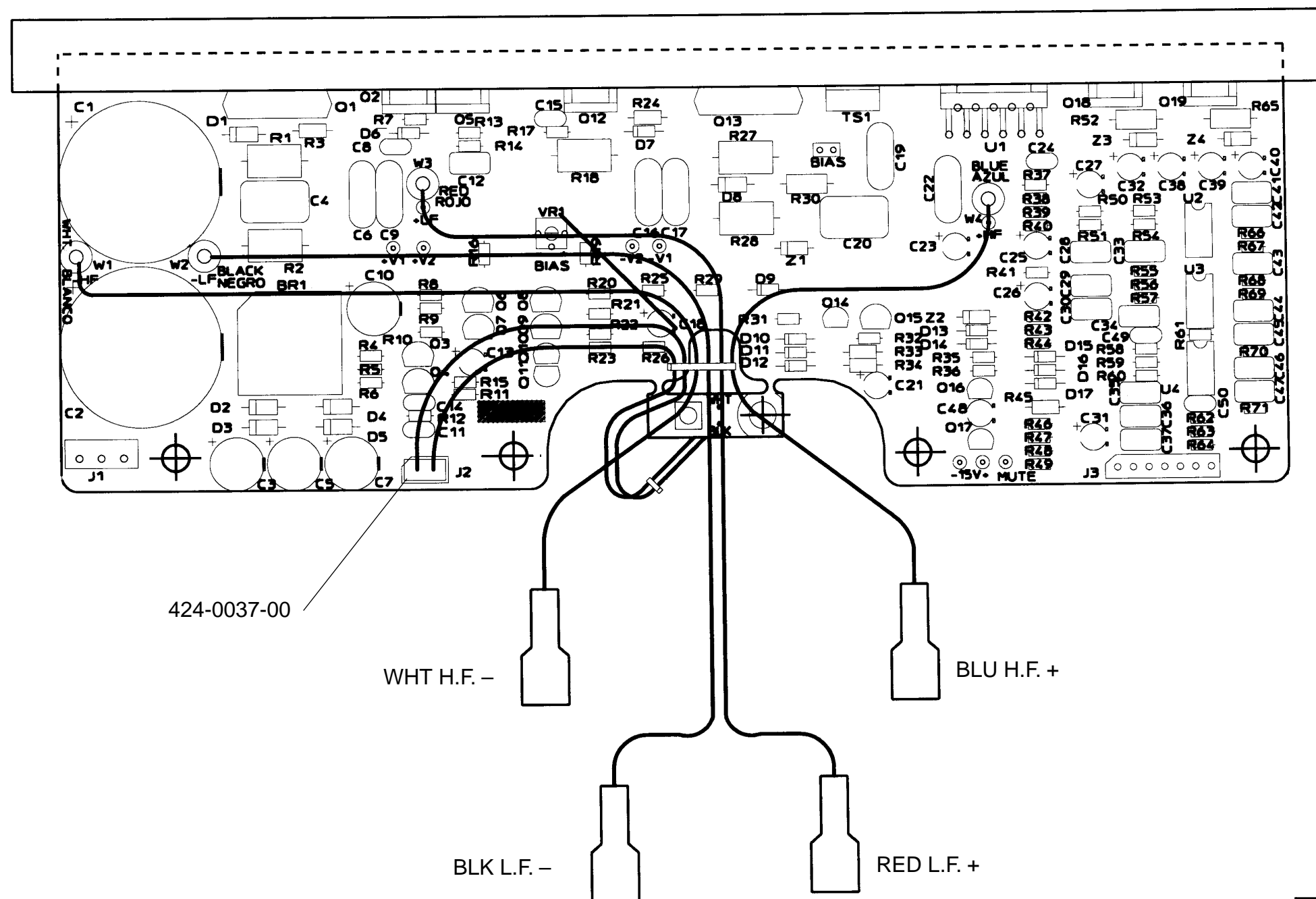


PCB Amp Assembly EON Power15

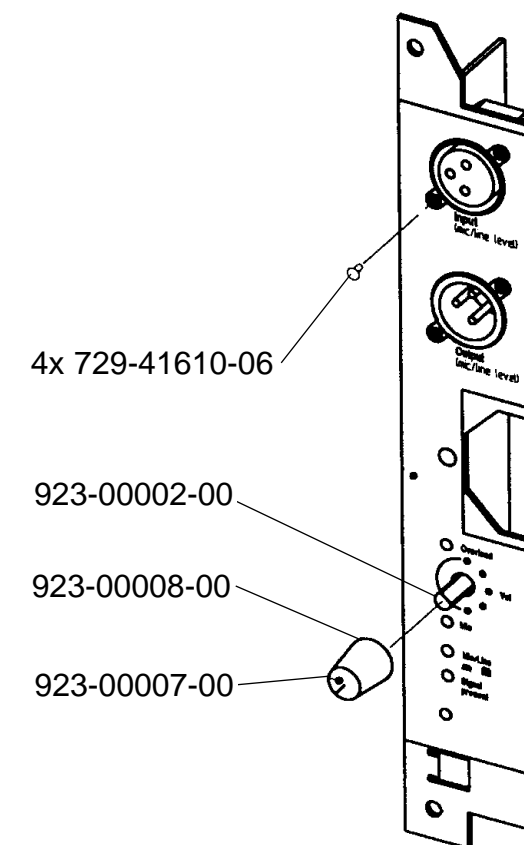
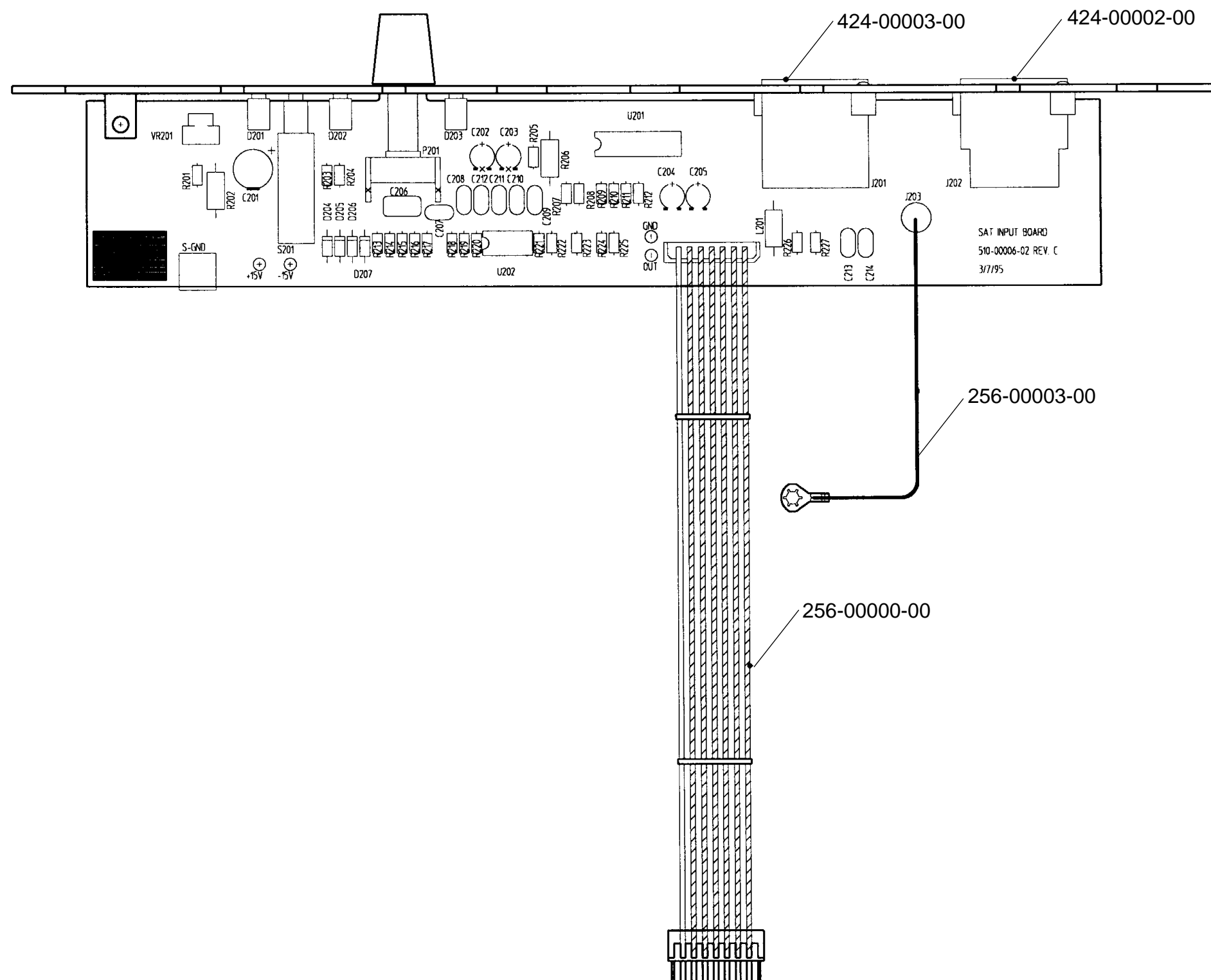
These Drawings and Specifications are the Property of JBL Professional Inc. They are Issued in Strict Confidence and Shall Not Be Reproduced, Copied, or Used as the Basis for Manufacturing or Sale of Apparatus Without Written Permission.



JBL PROFESSIONAL	JBL Professional A Harman International Company Northridge, California 91329, USA	
	DRAWING	
	513-00007	REV H

PCB Signal Input Assembly EON Power15

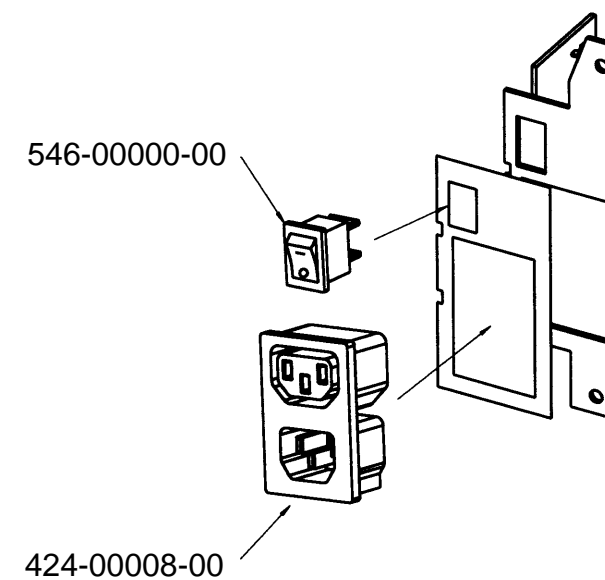
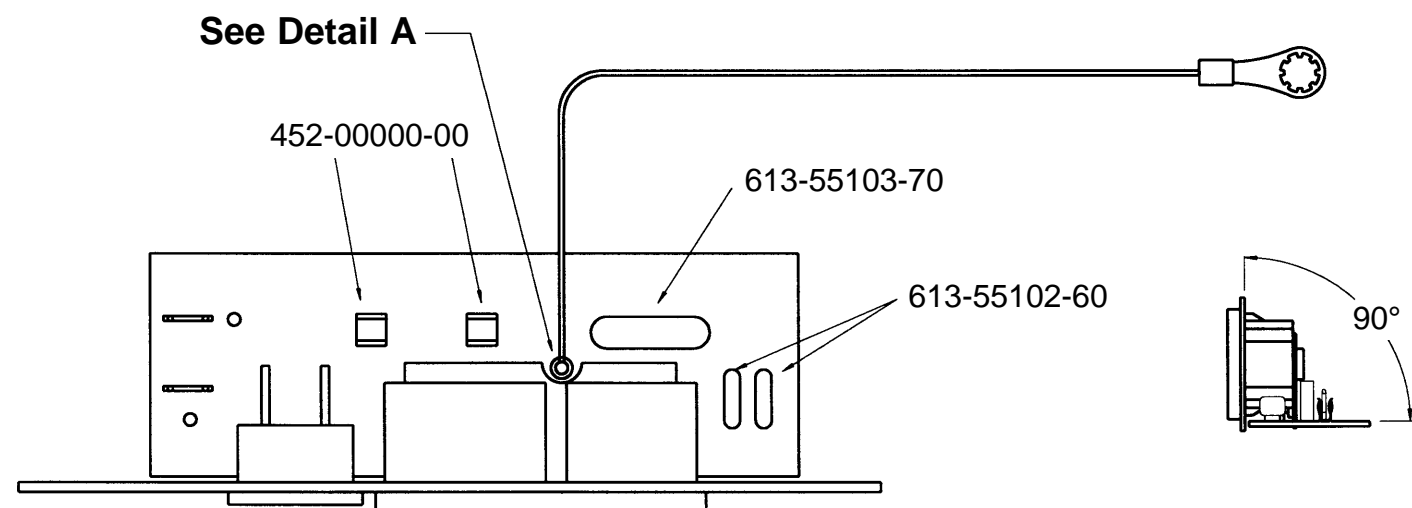
These Drawings and Specifications are the Property of JBL Professional Inc. They are Issued in Strict Confidence and Shall Not Be Reproduced, Copied, or Used as the Basis for Manufacturing or Sale of Apparatus Without Written Permission.



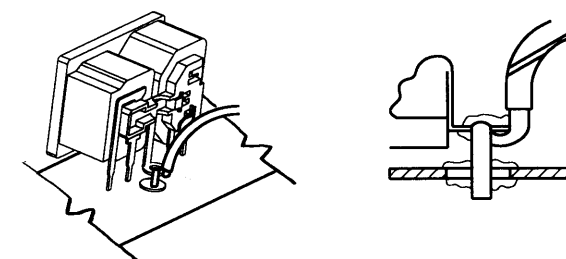
JBL PROFESSIONAL	JBL Professional A Harman International Company Northridge, California 91329, USA	
	DRAWING	
	513-00006	REV D

PCB AC Input Assembly EON Power15

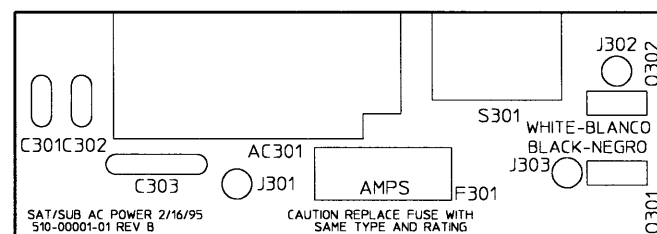
These Drawings and Specifications are the Property of JBL Professional Inc. They are Issued in Strict Confidence and Shall Not Be Reproduced, Copied, or Used as the Basis for Manufacturing or Sale of Apparatus Without Written Permission.



Detail A



Mechanical Ground Connection as Shown (J301)



JBL Professional
A Harman International Company
Northridge, California 91329, USA

DRAWING

513-00001

REV D