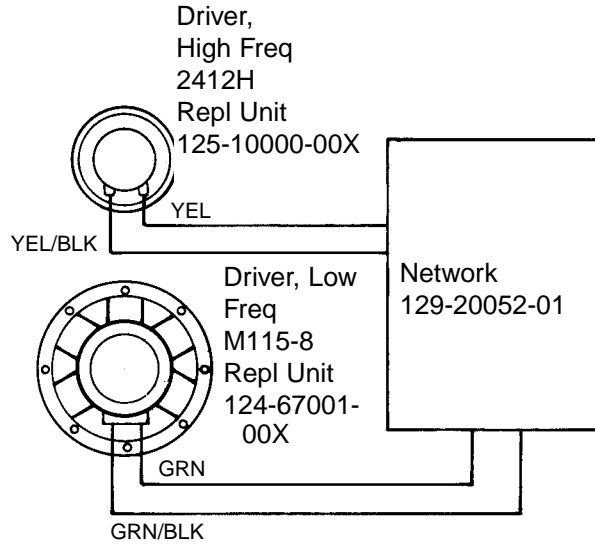
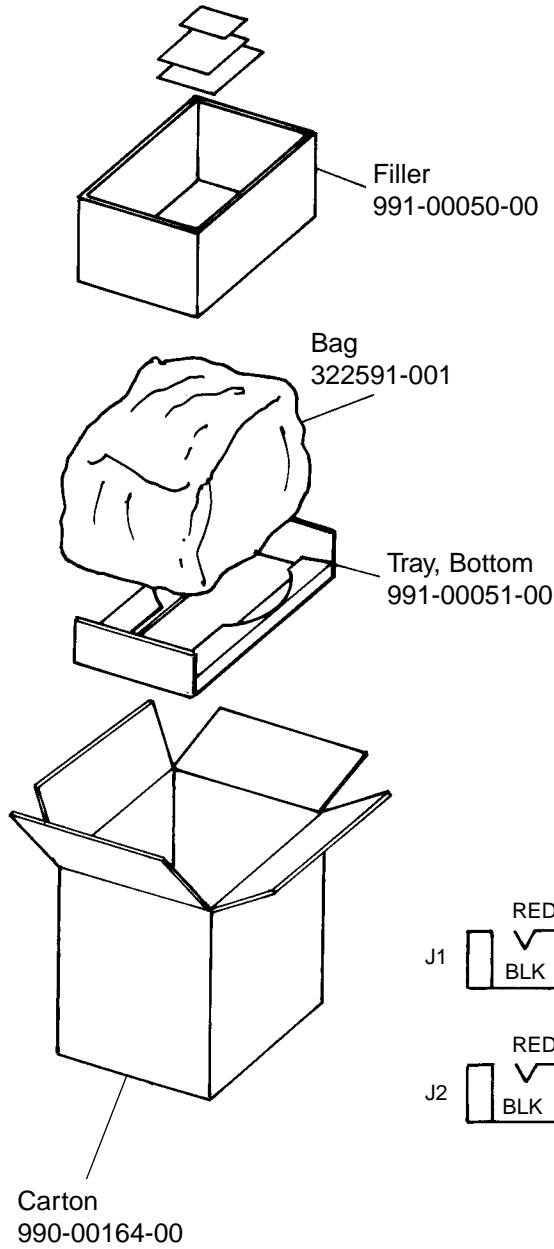
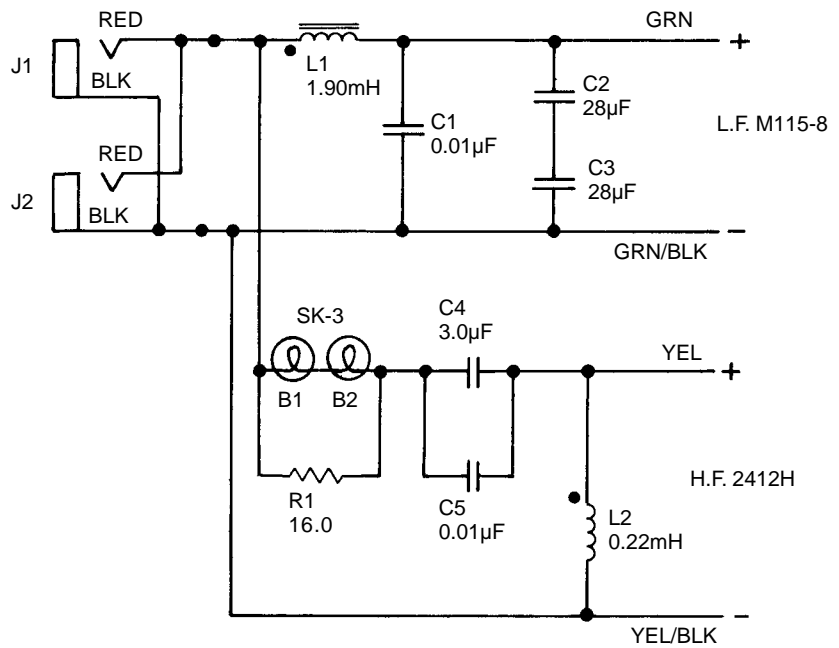


# EON1500

Warranty 59660  
 Owners Manual 981-00051-01



Schematic 129-20052-01



# Mechanical Assembly EON1500

