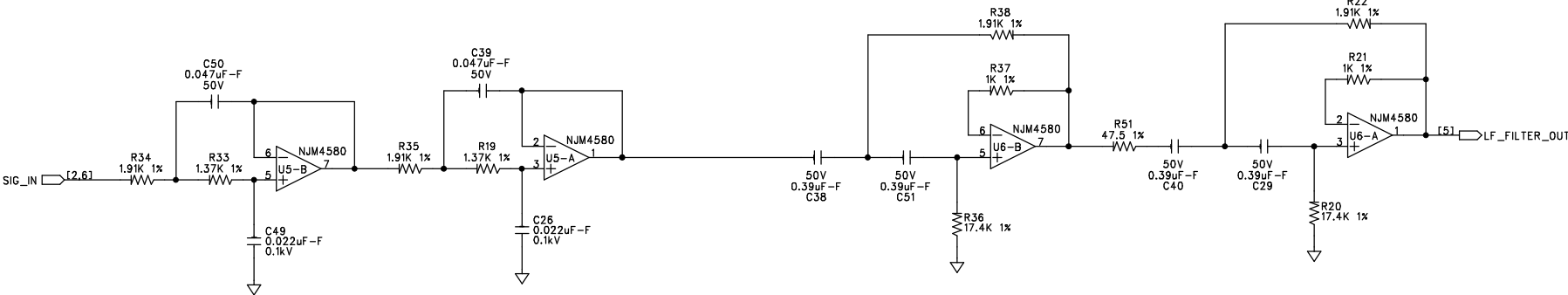
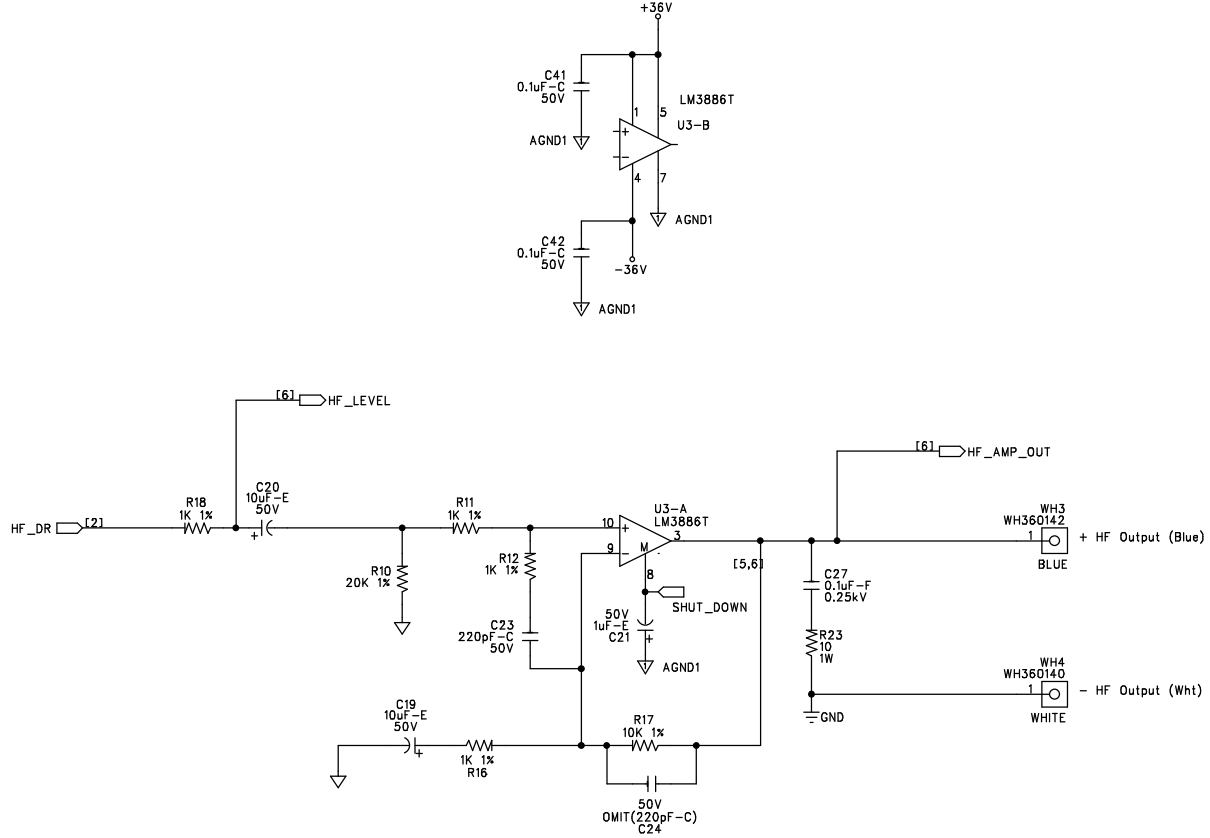


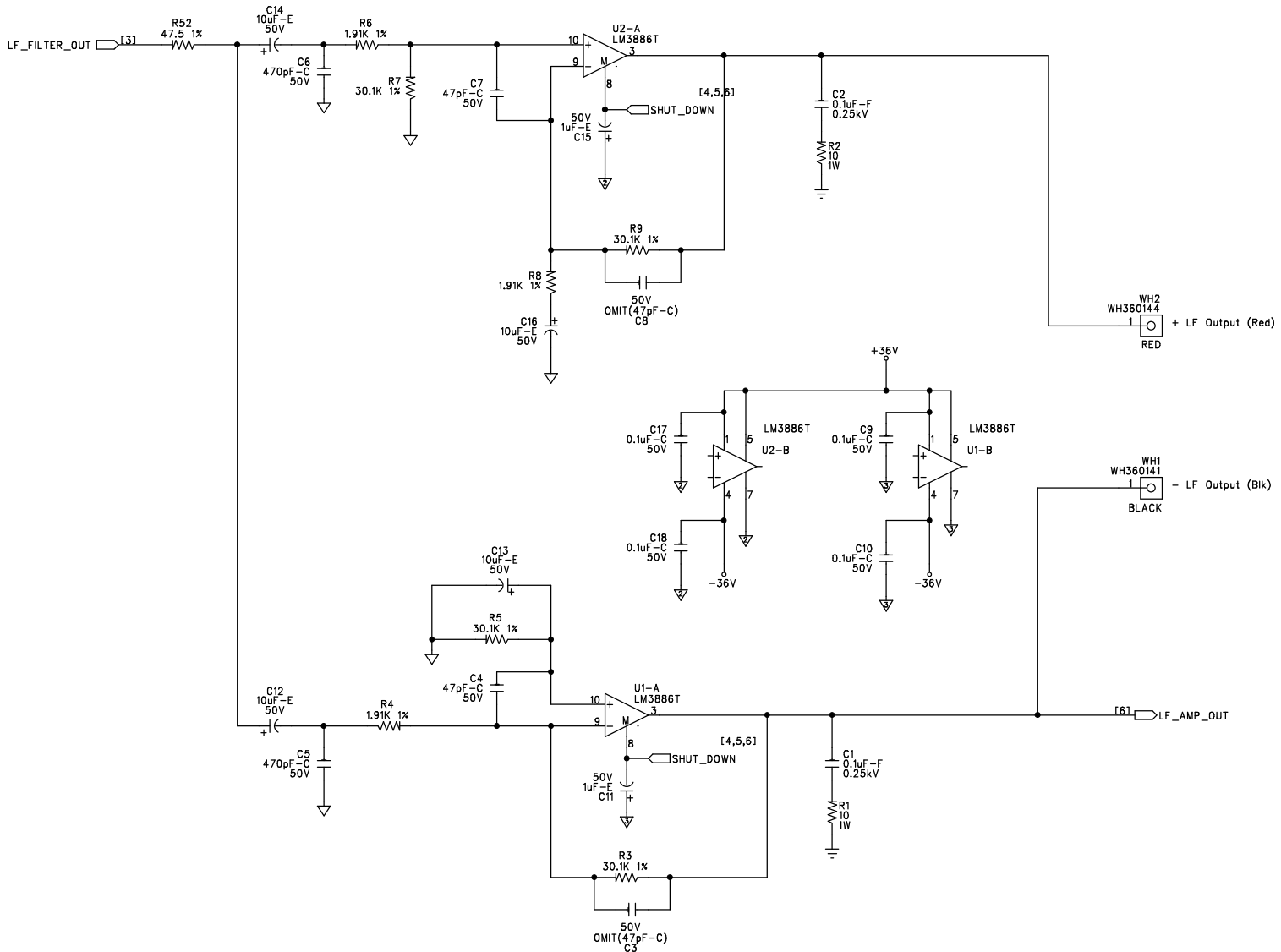
SIZE: A	SHEET TITLE: HF PROCESSING	REVISION B0
DATE: 06/18/01	DRAWING NO: 05-6393	SHEET: 2 OF 6



SIZE: A	SHEET TITLE: LF PROCESSING	REVISION: B0
DATE: 06/18/01	DRAWING NO: 05-6393	SHEET: 3 OF 6



SIZE: A	SHEET TITLE: HF AMPLIFIER STAGE	REVISION: B0
DATE: 06/18/01	DRAWING NO: 05-6393	SHEET: 4 OF 6



SIZE: A	SHEET TITLE: LF AMPLIFIER STAGE	REVISION: B0
DATE: 06/18/01	DRAWING NO: 05-6393	SHEET: 5 OF 6

