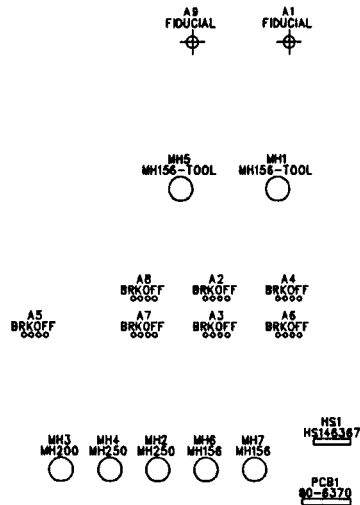
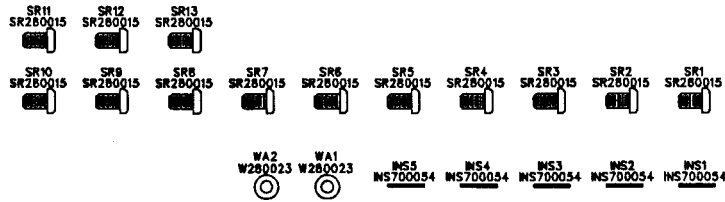
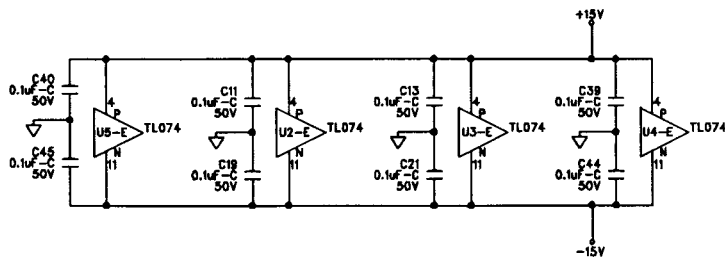
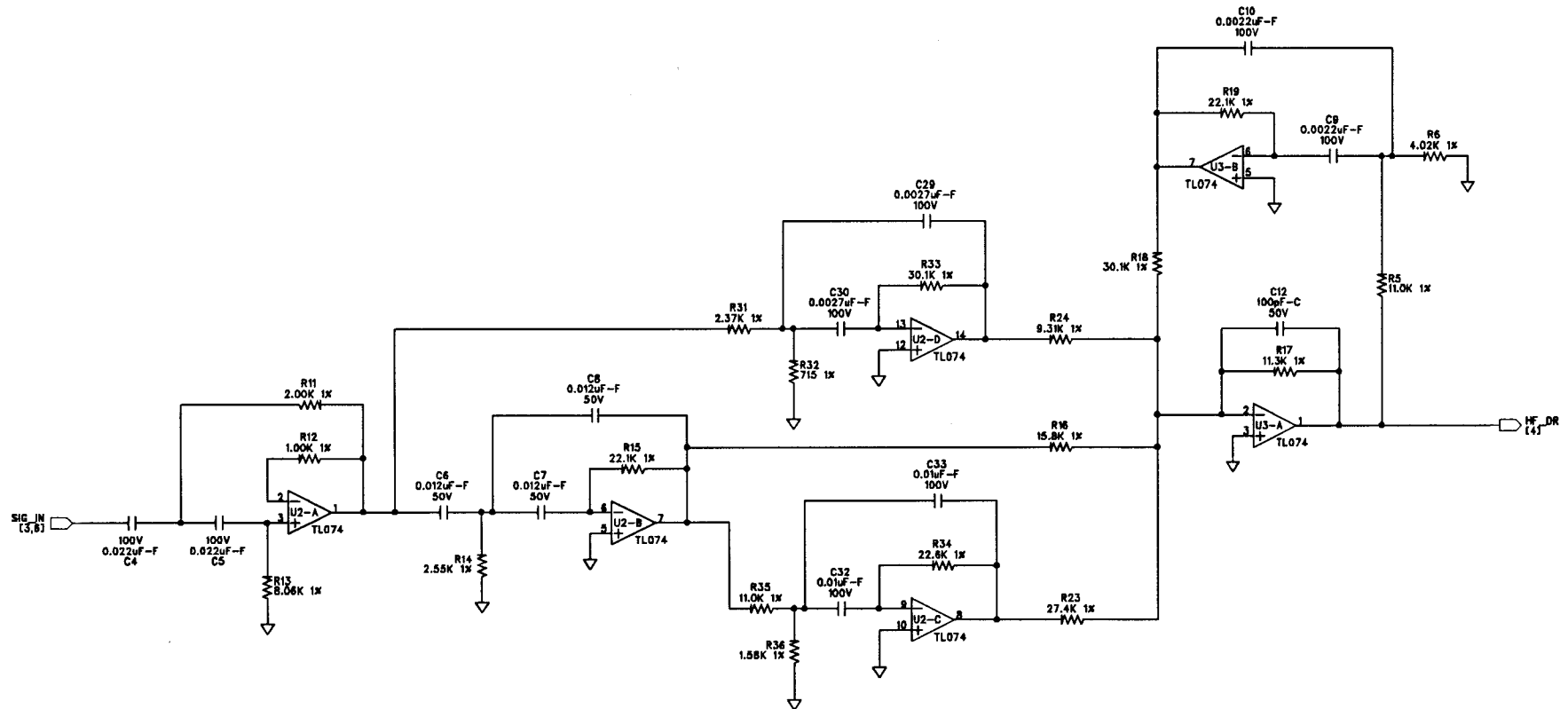


JBL EON15-G2



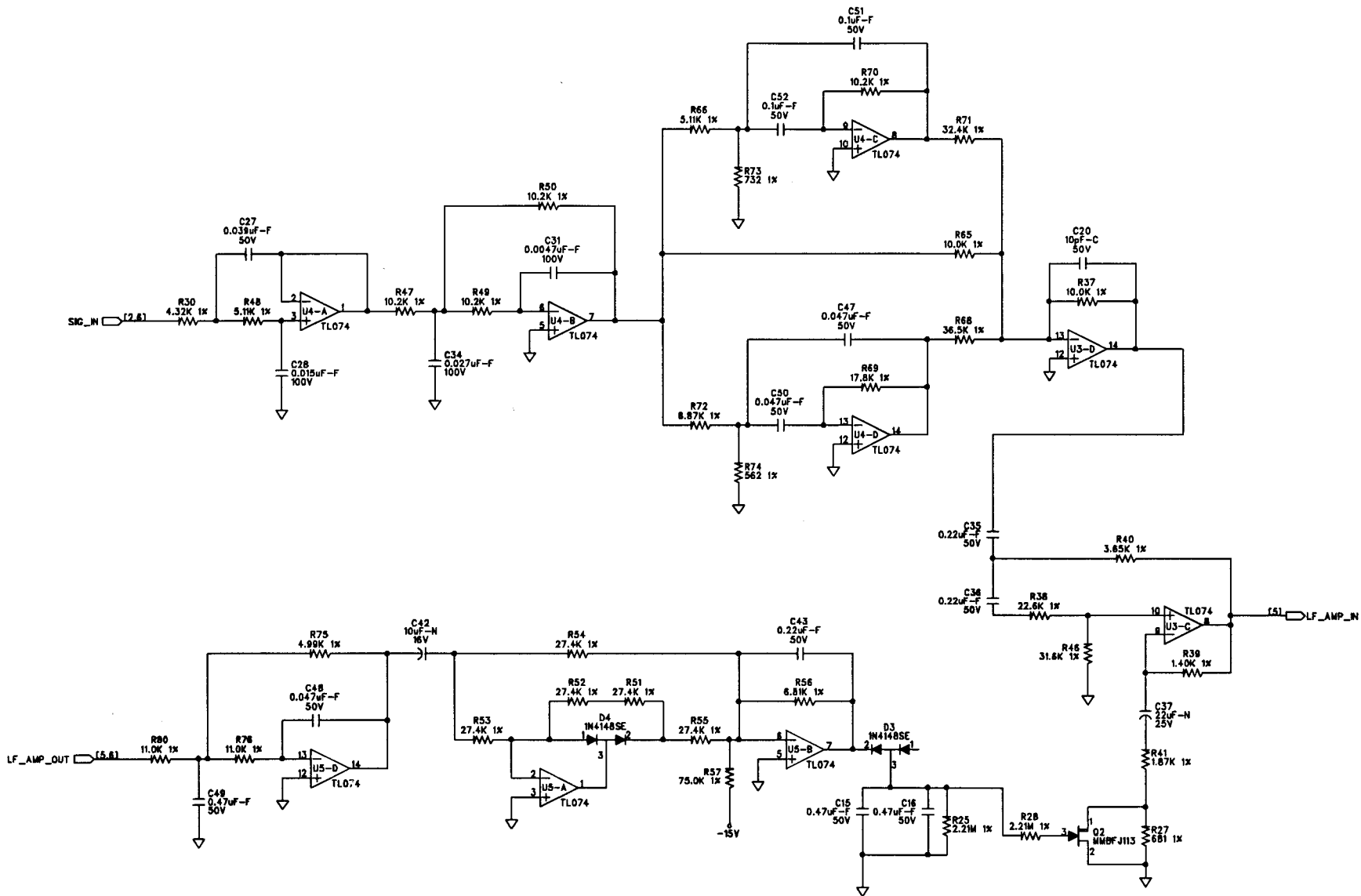
JBL Professional 8760 South Sandy Parkway Sandy Utah 84070			
TITLE: SCHEMATIC EON15 GII MAIN PCBA			
DESIGNER: Mark Corbridge		ENGINEER: Tim Shuttleworth / Don Sealey	
SIZE: A	DRAWING NO: 05-6370		REVISION: C0
START DATE: 03/15/00	FILENAME: 056370C0.SCH	SHEET: 1 OF 6	

JBL EON15-G2



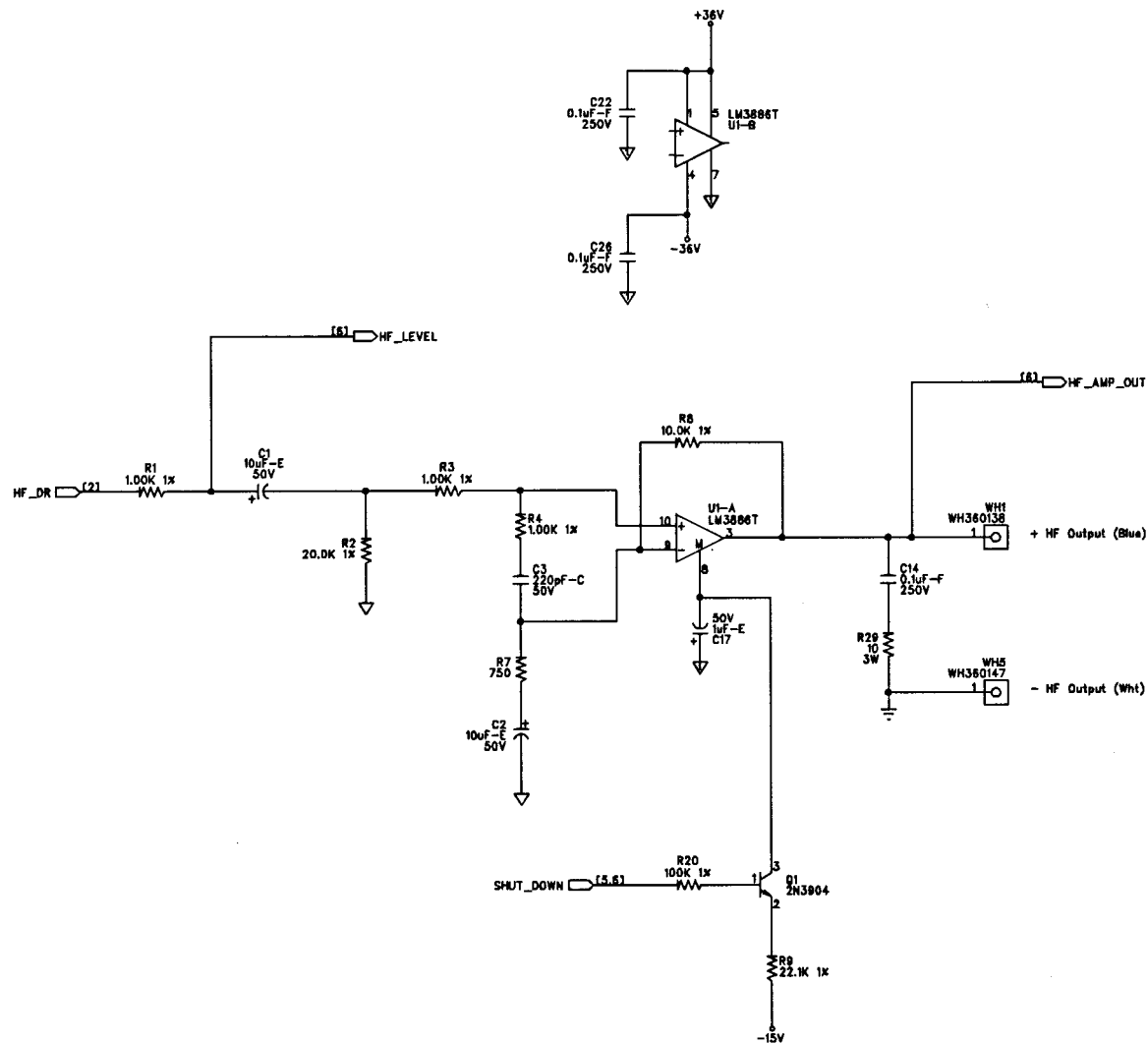
SIZE: A	SHEET TITLE: HF PROCESSING	REVISION: C0
START DATE: 03/15/00	DRAWING NO: 05-6370	SHEET: 2 OF 6

JBL EON15-G2



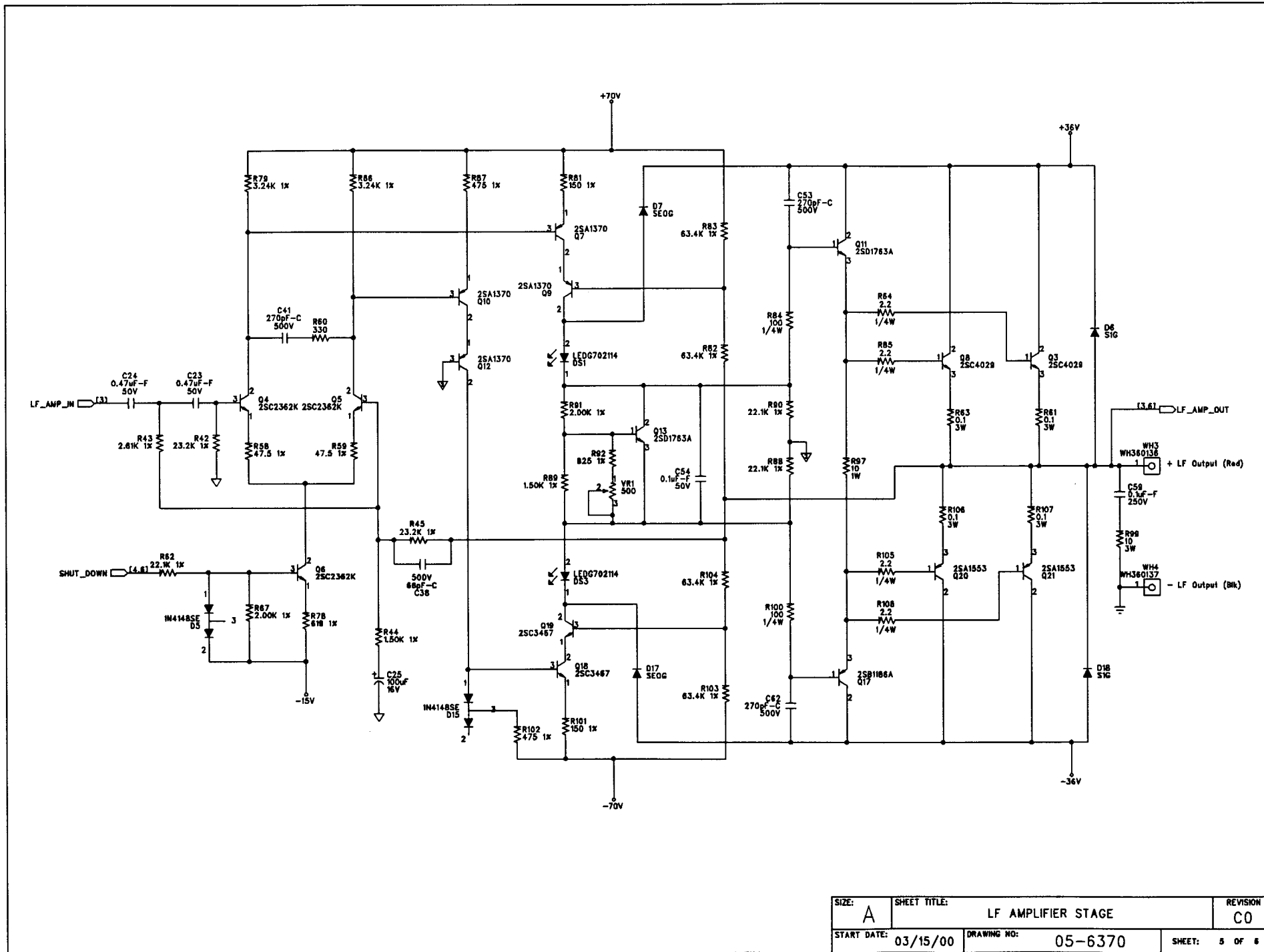
SIZE: A	SHEET TITLE: LF PROCESSING	REVISION: C0
START DATE: 03/15/00	DRAWING NO: 05-6370	SHEET: 3 OF 6

JBL EON15-G2



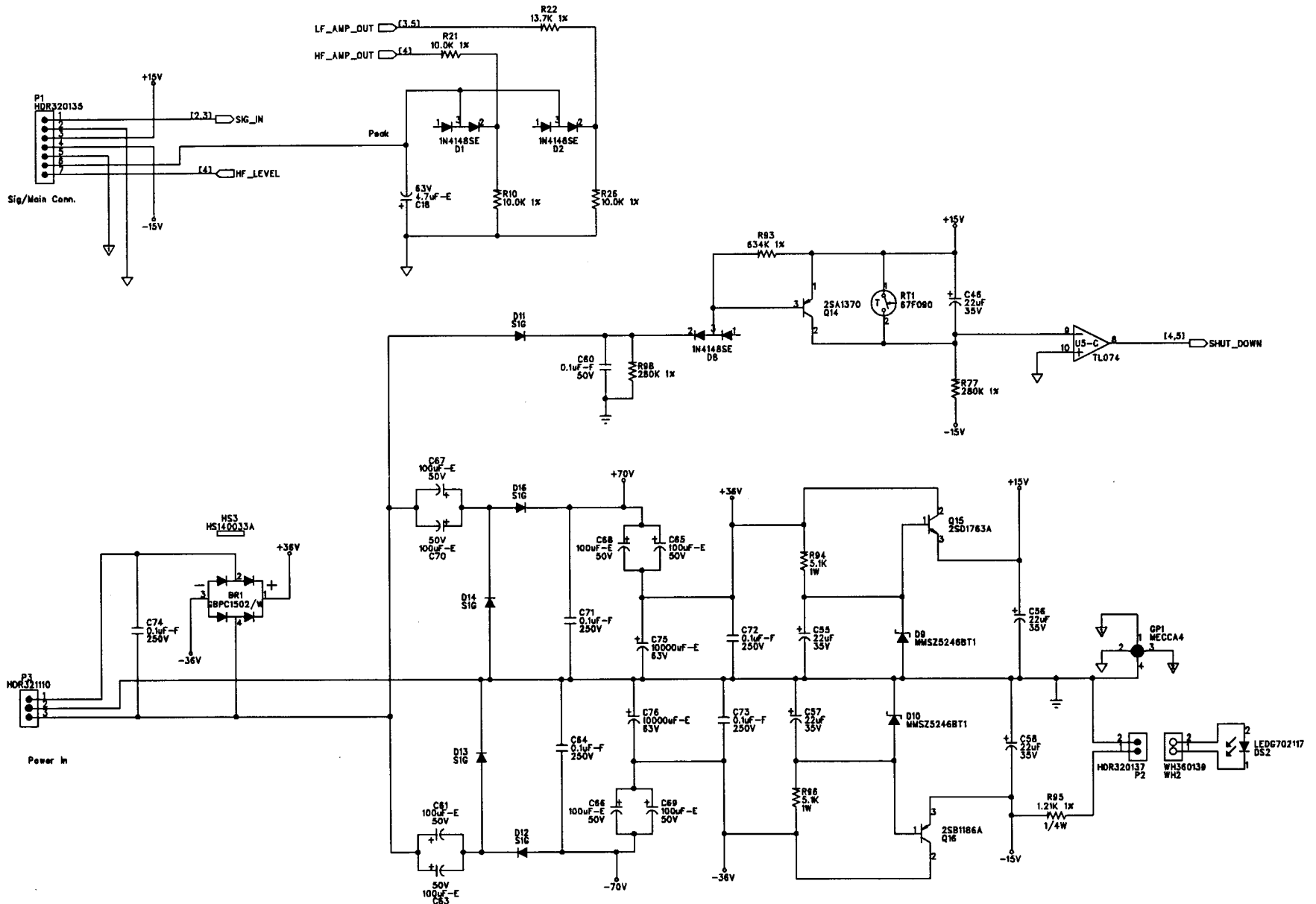
SIZE: A	SHEET TITLE: HF AMPLIFIER STAGE	REVISION: C0
START DATE: 03/15/00	DRAWING NO: 05-6370	SHEET: 4 OF 6

JBL EON15-G2



SIZE: A	SHEET TITLE: LF AMPLIFIER STAGE	REVISION: C0
START DATE: 03/15/00	DRAWING NO.: 05-6370	SHEET: 5 OF 6

JBL EON15-G2



SIZE: A	SHEET TITLE: POWER SUPPLY	REVISION: C0
START DATE: 03/15/00	DRAWING NO: 05-6370	SHEET: 6 OF 6