

4

3



2

1

THESE DRAWINGS AND SPECIFICATIONS ARE THE PROPERTY OF JBL INCORPORATED. THEY ARE ISSUED IN STRICT CONFIDENCE AND SHALL NOT BE REPRODUCED OR USED AS THE BASIS FOR MANUFACTURE OR APPARATUS WITHOUT WRITTEN PERMISSION.

REVISIONS

CHG	LTR	DESCRIPTION	DRFT	D.C	DATE	APPR
22931	A	RELEASE -00	KW	RA	8/7/00	TS
24183	B	OBS -00, RELEASE -01	RA	RA	11/20/01	TS
24375	C	ADDED LABEL PAGE	RA	RA	3/7/02	<i>[Signature]</i>

D

PART NO.	DESCRIPTION
250-00001-00	OBSOLETE
250-00001-01	AC INP ASSY, EON 15-G2

D

C

C



B

B

A

A

METRIC

TOLERANCES
UNLESS OTHERWISE SPECIFIED
X.X ± 0.3 MM
X ± 1.0 MM
ANGULAR ± 0.5°
DIMS ARE MM
BREAK SHARP EDGES 0.1 MM
ALL DIMENSIONS ARE FINISHED DIMENSIONS
DO NOT SCALE DRAWING

THIRD ANGLE PROJECTION

UNLESS OTHERWISE SPECIFIED DIMENSIONS ARE IN INCH-SIZES
BREAK SHARP EDGES .016 INCH

TOLERANCES (UNLESS OTHERWISE SPECIFIED)
X.XXX ± .005 INCH
X.XX ± .010 INCH
X.X ± .020 INCH ANGULAR TOLERANCE OF 0°±30'
FRACTIONAL DIMENSIONS ± 1/32

ALL DIMENSIONS ARE FINISHED DIMENSIONS

DO NOT SCALE DRAWING

DRAWN DATE
KW 8/7/00

DESIGNER DATE

ENGR DATE
TS 8/7/00

MODELS USED ON

JBL JBL PROFESSIONAL
A Harman International Company
Northridge, California 91329 U.S.A.

TITLE
AC INPUT MODULE

SIZE **B** DRAWING NO. **250-00001** REV **C**

SCALE NONE SHEET OF

NOTES: (UNLESS OTHERWISE SPECIFIED)

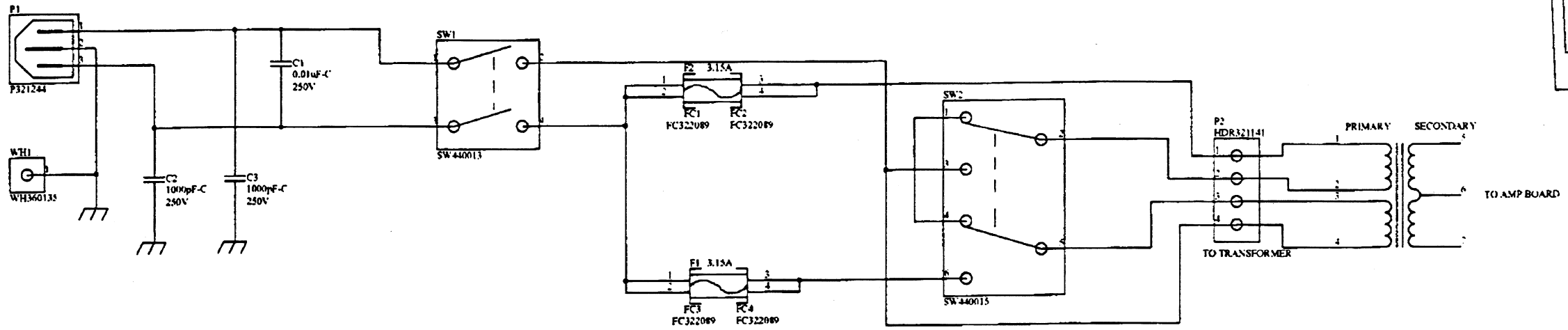
4


3



2

1



		JBL PROFESSIONAL A Harman International Company Northridge, California 91329 U.S.A.	
AC INPUT MODULE			
TITLE	DRAWING NO.	REV	
SIZE	B	250-0001	C
SCALE	NONE	SHEET	OF

SIZE	B	SHEET TITLE	AC Input Module	REV	B0
START DATE:	11-19-01	DRAWING NO.	05-6371	SHEET	1 OF 1

FILM GRAPHIC

CAUTION ATTENTION
TO REDUCE THE RISK OF FIRE REPLACE ONLY WITH SAME TYPE T3.15A 250-FUSE
UTILISER UN FUSIBLE DE RECHANGE DE MEME TYPE DE T3.15A 250V~


SCALE: 1:1

15.1

51

CAUTION ATTENTION
TO REDUCE THE RISK OF FIRE REPLACE ONLY WITH SAME TYPE T3.15A 250-FUSE
UTILISER UN FUSIBLE DE RECHANGE DE MEME TYPE DE T3.15A 250V~

SCALE: 2:1

	JBL PROFESSIONAL A Harman International Company Northridge, California 91329 U.S.A.		
	TITLE AC INPUT MODULE		
SIZE	DRAWING NO.	REV	
B	250-00001	C	
SCALE	NONE	SHEET	OF