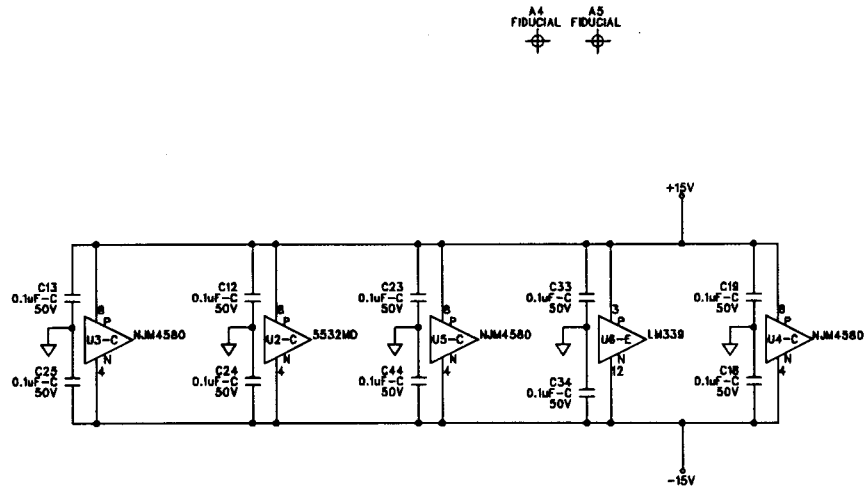
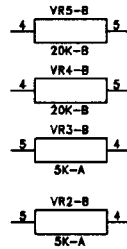


JBL EON15-G2



A4 FIDUCIAL
A5 FIDUCIAL



A1 BRKOFF
A2 BRKOFF
A3 BRKOFF

MH4 MH3
MH156-TOOL MH156-TOOL
PCB1
80-6369-A

REVISION HISTORY			
JBL Professional 8780 South Sandy Parkway Sandy Utah 84070			
TITLE:			
SCHEMATIC EON15 GII SIGNAL INPUT PCBA			
DESIGNER:		ENGINEER:	
MARK CORBRIDGE		Tim Shuttleworth / Don Sealey	
SIZE:	DRAWING NO:	REVISION	
A	05-6369	A0	
START DATE:	FILENAME:	SHEET: 1 OF 4	
03/08/00	056369A0.SCH		