

CHANNELS A AND B

SOUNDCRAFT OWNS THE COPYRIGHT OF THIS DRAWING WHICH IS NOT TO BE COPIED, REPRODUCED OR DISCLOSED, IN PART OR IN WHOLE TO A THIRD PARTY WITHOUT WRITTEN PERMISSION.

- NOTES
- (1) MONO INPUT CHANNELS C TO H STEP AND REPEATED.
 - (2) CA6 NOT FITTED - ALSO CC6, CE6 AND CG6 ARE NOT FITTED ON STEP AND REPEATED CHANNELS.

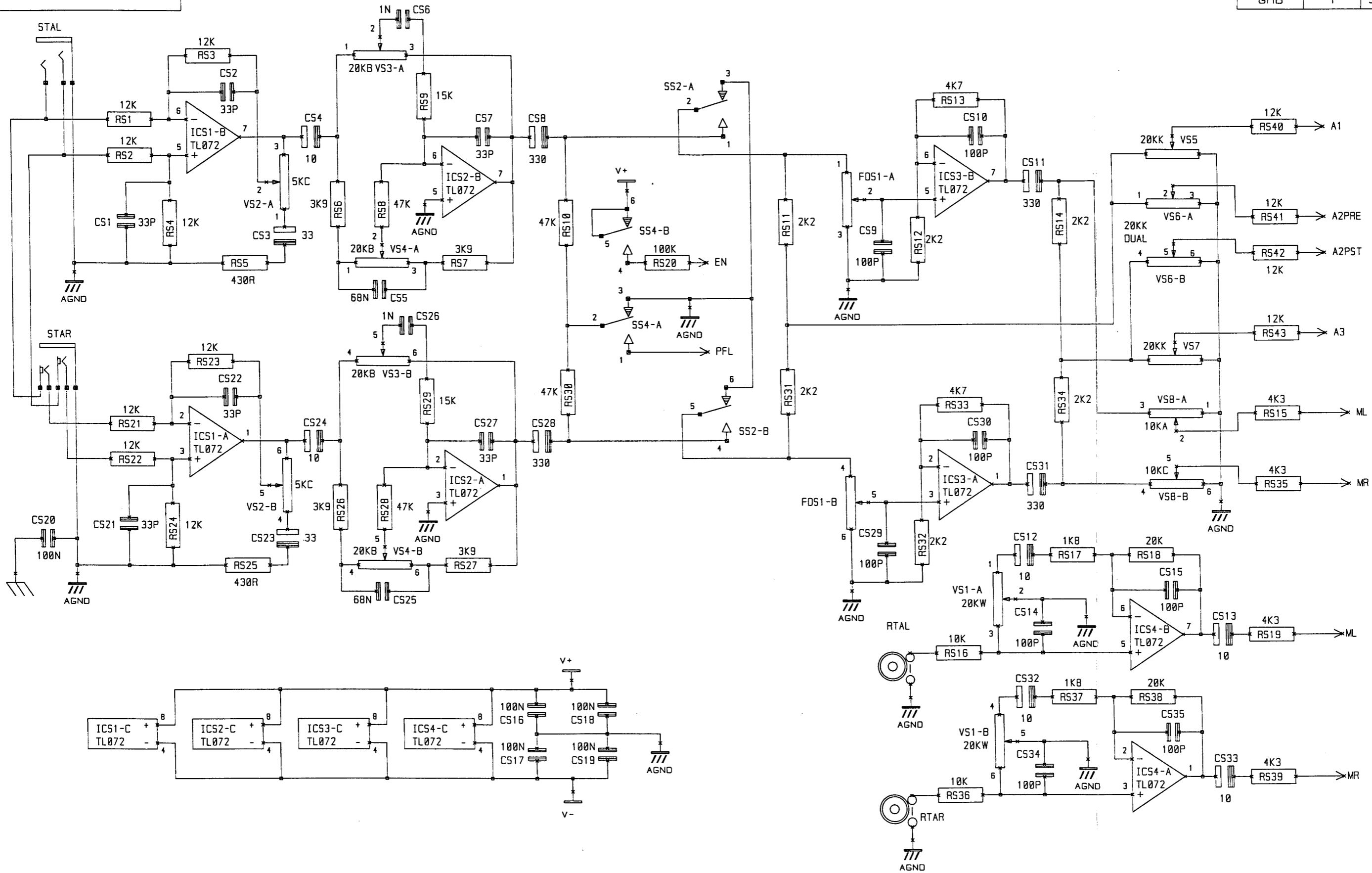
NOTES

SOUNDCRAFT
HARMAN INT. INDUSTRIES LTD.
CRANBORNE HOUSE,
CRANBORNE ROAD,
POTTERS BAR,
HERTS., ENG 3JN.
TEL: 01707 665000
FAX: 01707 660482

DRN. GHB

TITLE
FOLIO 218
MONO INPUT

ORG NO. ED 3790A



SOUNDCRAFT OWNS THE COPYRIGHT OF THIS DRAWING WHICH IS NOT TO BE COPIED, REPRODUCED OR DISCLOSED, IN PART OR IN WHOLE TO A THIRD PARTY WITHOUT WRITTEN PERMISSION.

NOTES
 (1) STEREO INPUT CHANNEL B STEP AND REPEATED.

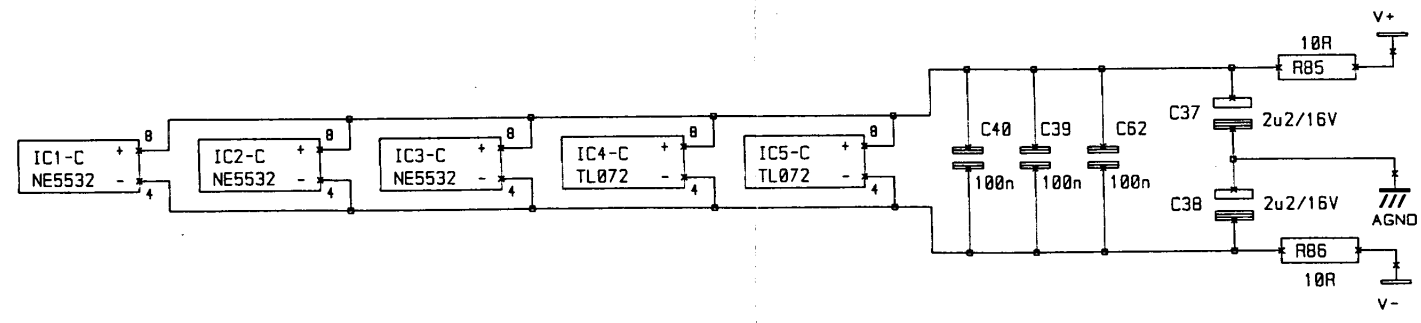
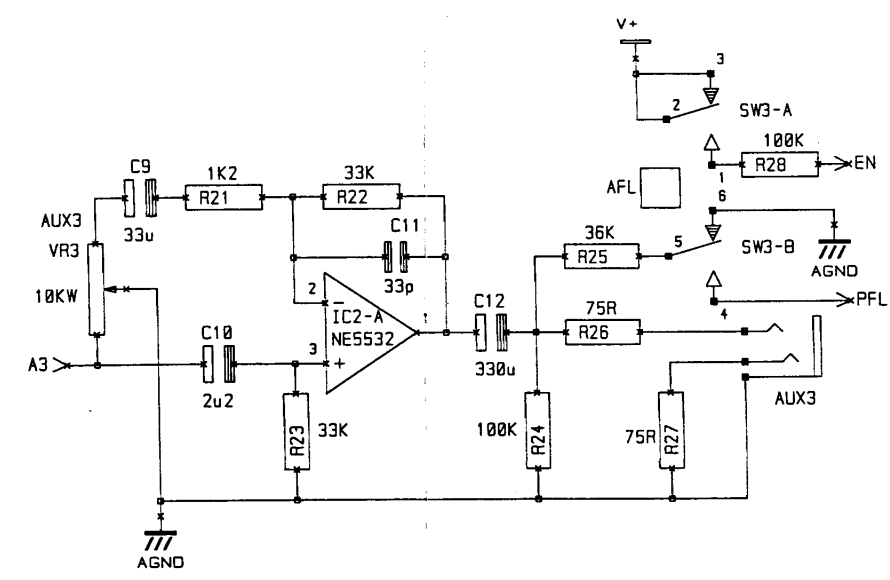
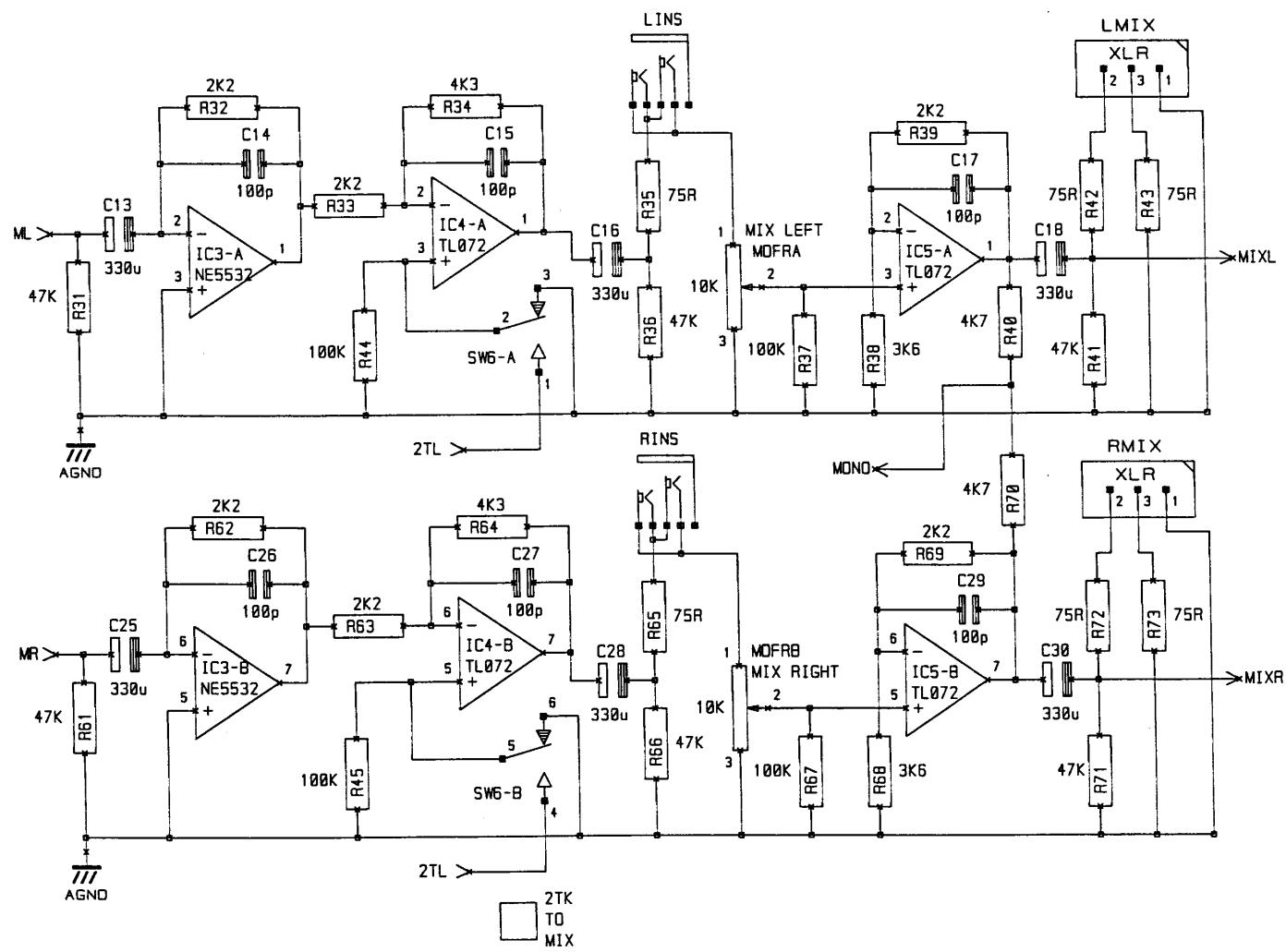
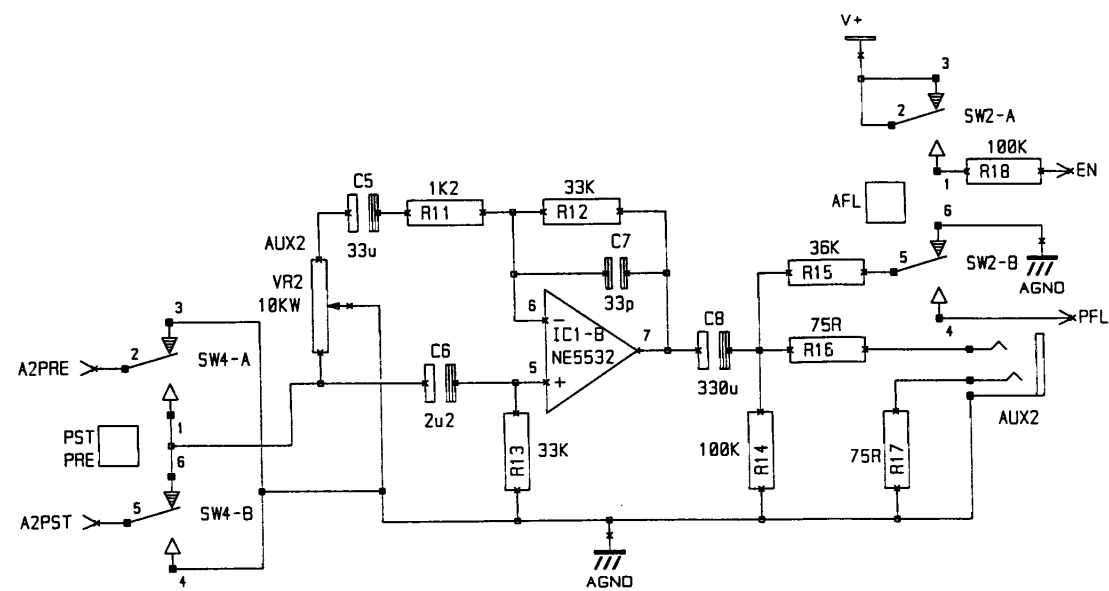
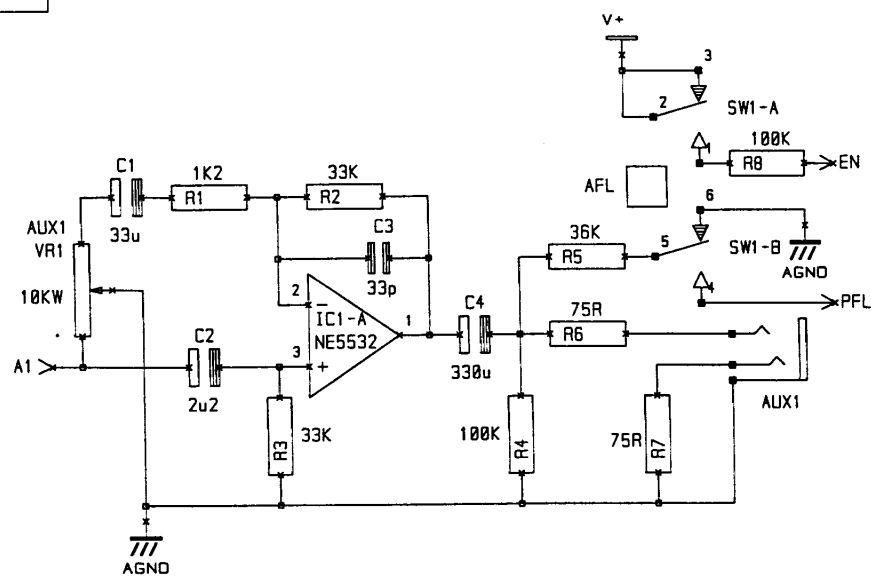
SOUNDCRAFT
 HARMAN INT. INDUSTRIES LTD.
 CRANBORNE HOUSE,
 CRANBORNE ROAD,
 POTTERS BAR,
 HERTS., EN6 3JN.
 TEL: 01707 665000
 FAX: 01707 660482

DRN.
 GHB

TITLE
 FOLIO 218
 STEREO INPUT

ORG NO.
 ED3790B

SHT. 2 OF 5



SOUNDCRAFT OWNS THE COPYRIGHT OF THIS DRAWING WHICH IS NOT TO BE COPIED, REPRODUCED OR DISCLOSED, IN PART OR IN WHOLE TO A THIRD PARTY WITHOUT WRITTEN PERMISSION.

NOTES

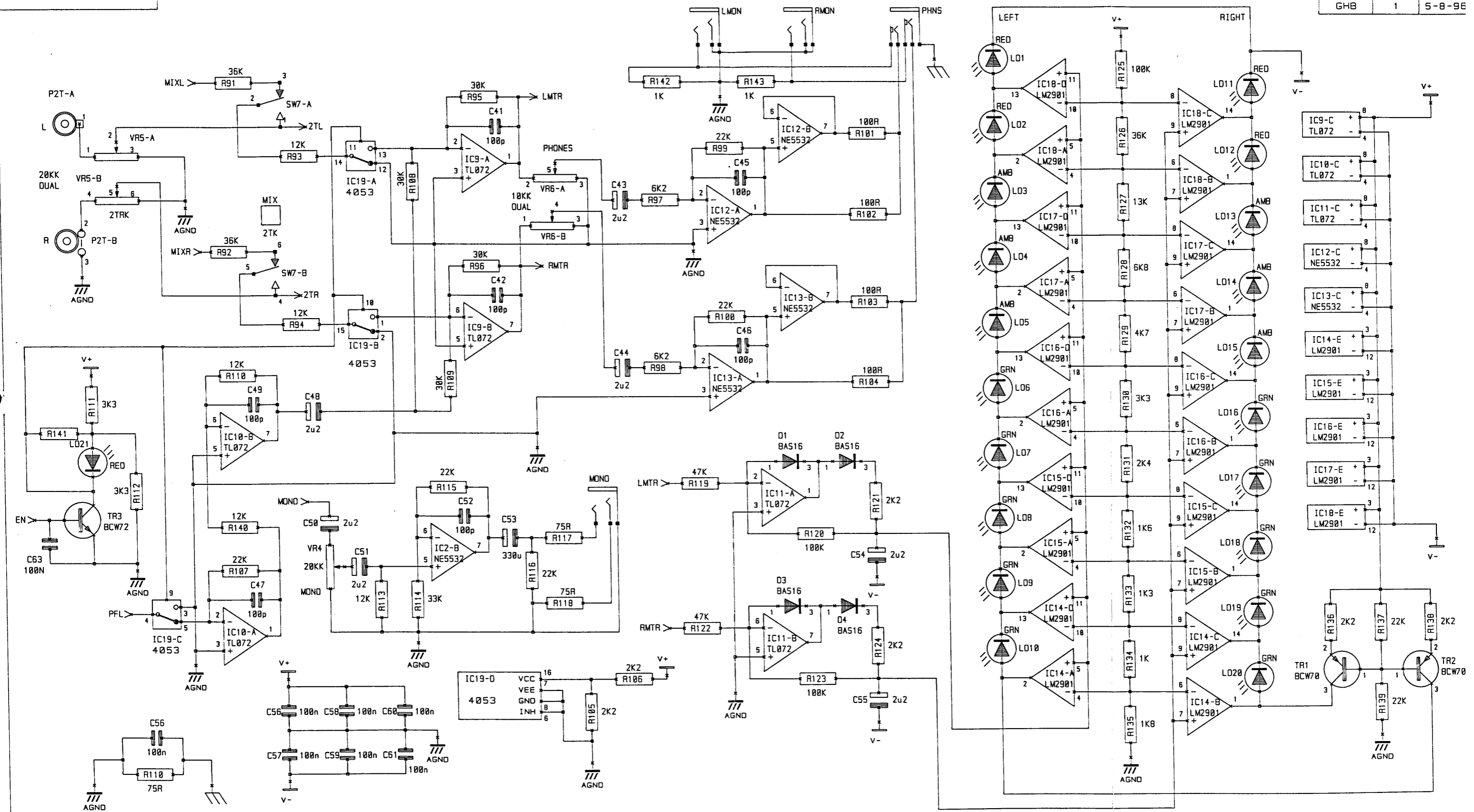
2TK TO MIX

SOUNDCRAFT
HARMAN INT. INDUSTRIES LTD.
CRANBORNE HOUSE,
CRANBORNE ROAD,
POTTERS BAR,
HERTS., EN6 3JN
TEL: 01707 665000
FAX: 01707 660482

DRN. GHB

TITLE FOLIO 218
MASTER SECTION A

DRG NO. E03790C



SOUNDCRAFT OWNS THE COPYRIGHT OF THIS DRAWING WHICH IS NOT TO BE COPIED, REPRODUCED OR DISCLOSED, IN PART OR IN WHOLE TO A THIRD PARTY WITHOUT WRITTEN PERMISSION.

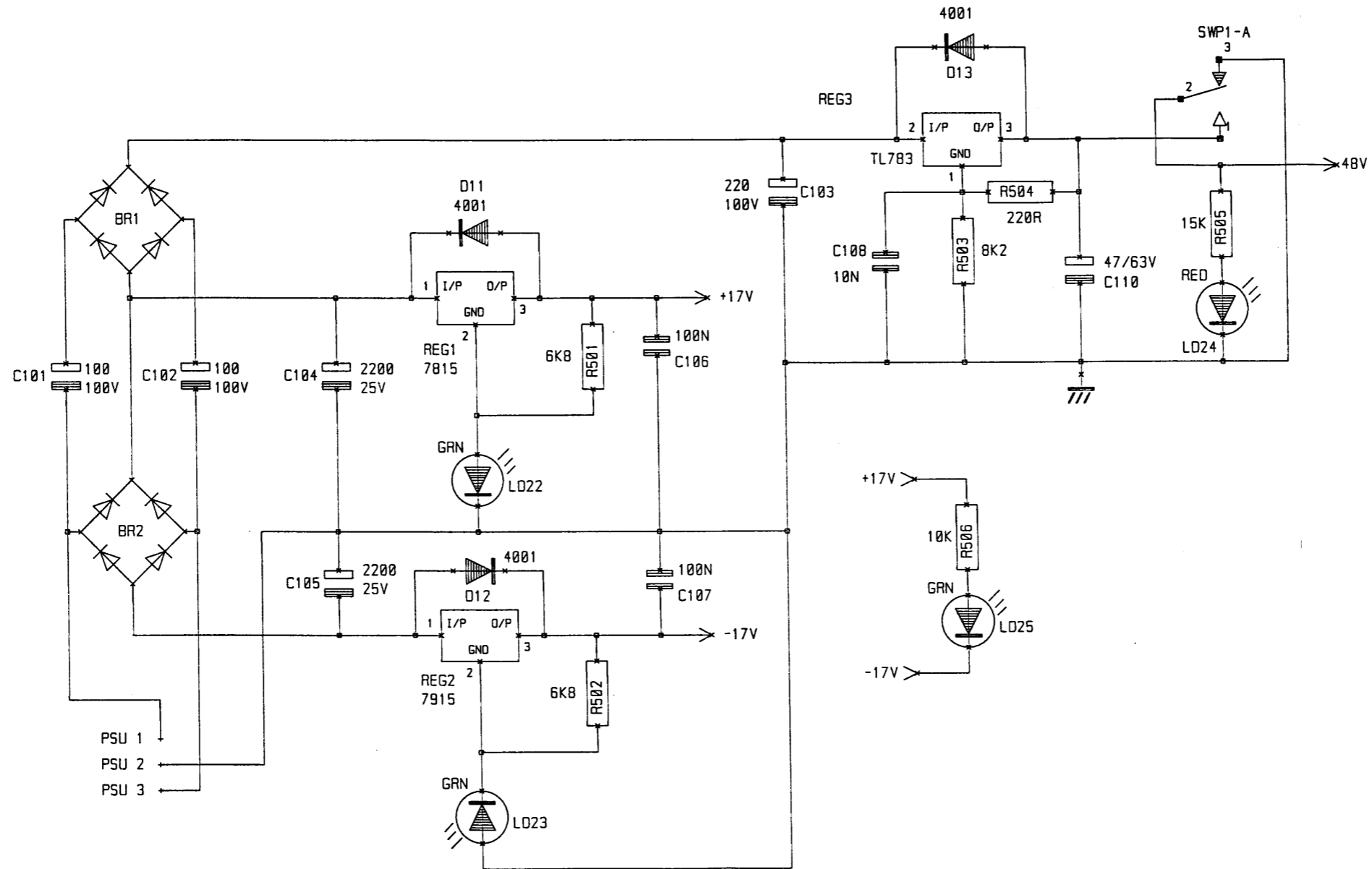
NOTES

SOUNDCRAFT
HARMAN INT. INDUSTRIES LTD.
CRANBORNE HOUSE,
CRANBORNE ROAD,
POTTERS BAR,
HERTS., EN6 3JN
TEL: 01707 665000
FAX: 01707 660482

DRN. GHB

TITLE FOLIO 218
MASTER SECTION B

ORG. NO. ED 37900



SOUNDCRAFT OWNS THE COPYRIGHT OF THIS DRAWING WHICH IS NOT TO BE COPIED, REPRODUCED OR DISCLOSED, IN PART OR IN WHOLE TO A THIRD PARTY WITHOUT WRITTEN PERMISSION.

NOTES

SOUNDCRAFT
HARMAN INT. INDUSTRIES LTD.
CRANBORNE HOUSE,
CRANBORNE ROAD,
POTTERS BAR,
HERTS., EN6 3JN.
TEL: 01707 665000
FAX: 01707 660482

DRN. GHB

TITLE FOLIO 218
PSU

ORG NO. ED3790E