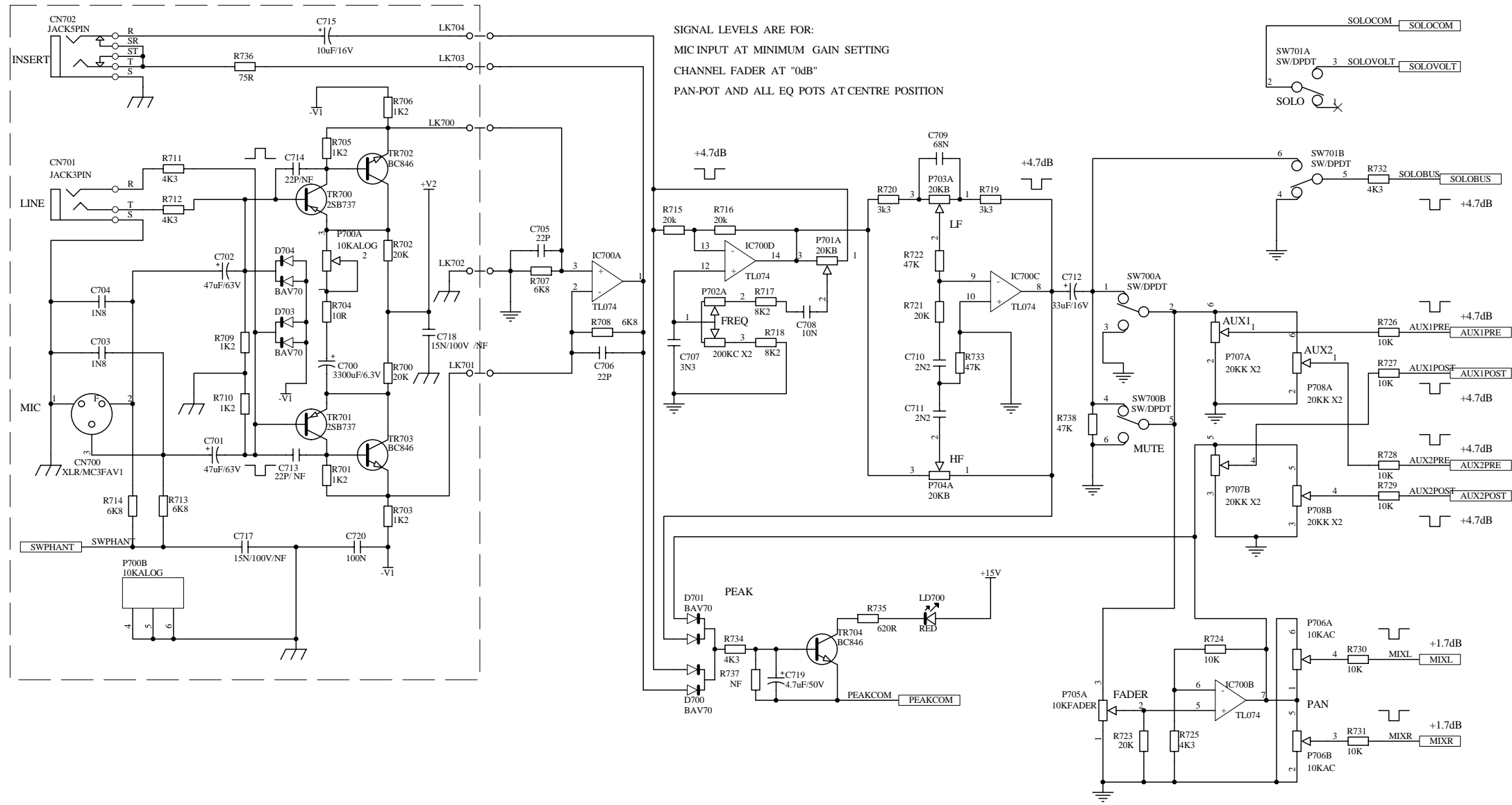


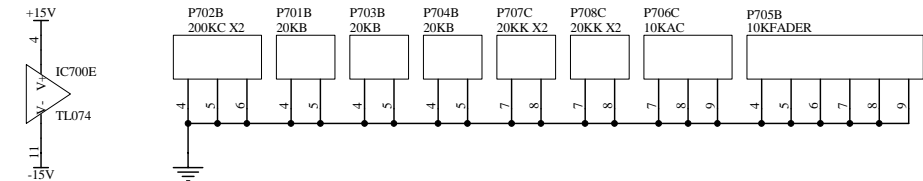
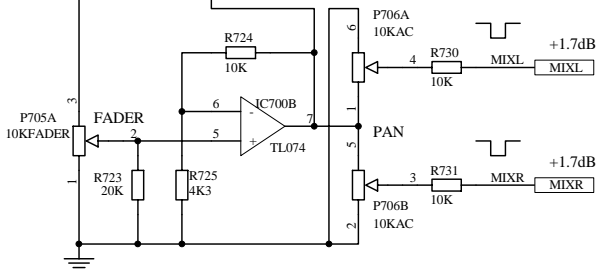
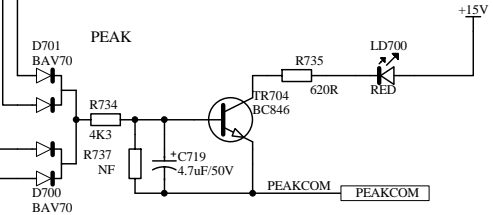
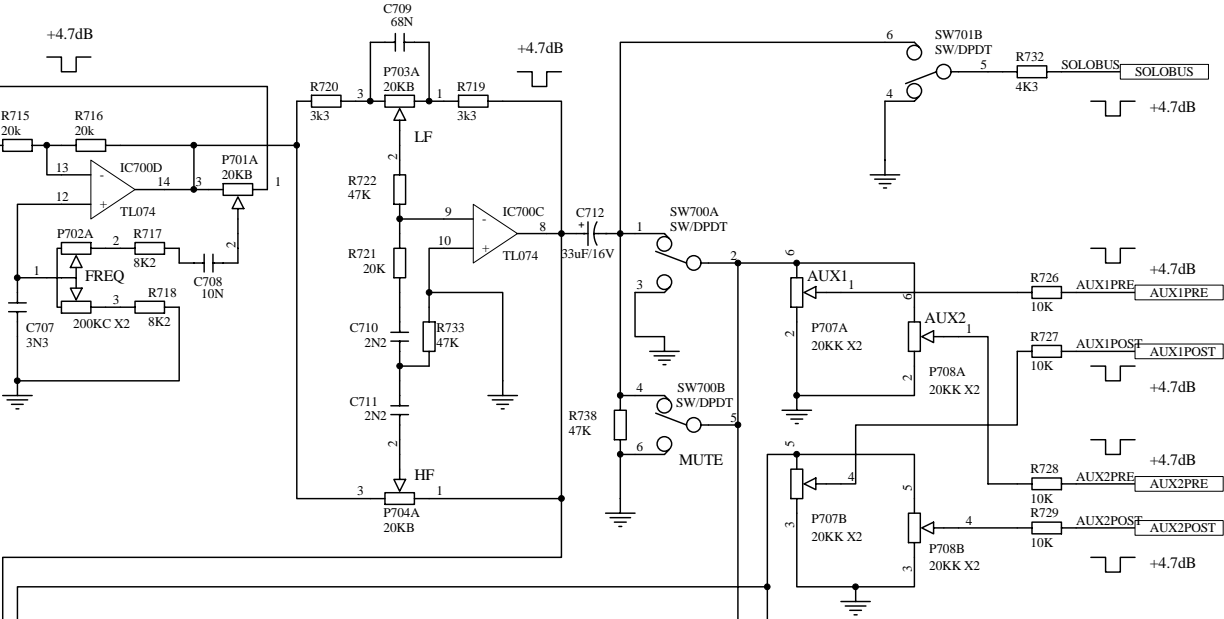
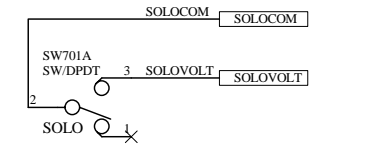
REVISION	DATE	REVISION DESCRIPTION
	17-Feb-2006	

TITLE: EPM6 MIXER	
SHEET: EPM6	1 OF 11
Model Name:	
@Part No:	
Part No:	
BM File Name:	Scale:
Prepared by:	Checked by:
Date:	Date:
Approved by:	
Date:	

PARTS ENCLOSED BY DOTTED LINE
ARE ON THE TOP BREAK-OFF SECTION



SIGNAL LEVELS ARE FOR:
MIC INPUT AT MINIMUM GAIN SETTING
CHANNEL FADER AT "0dB"
PAN-POT AND ALL EQ POTS AT CENTRE POSITION



REVISION	DATE	REVISION DESCRIPTION
	17-Feb-2006	

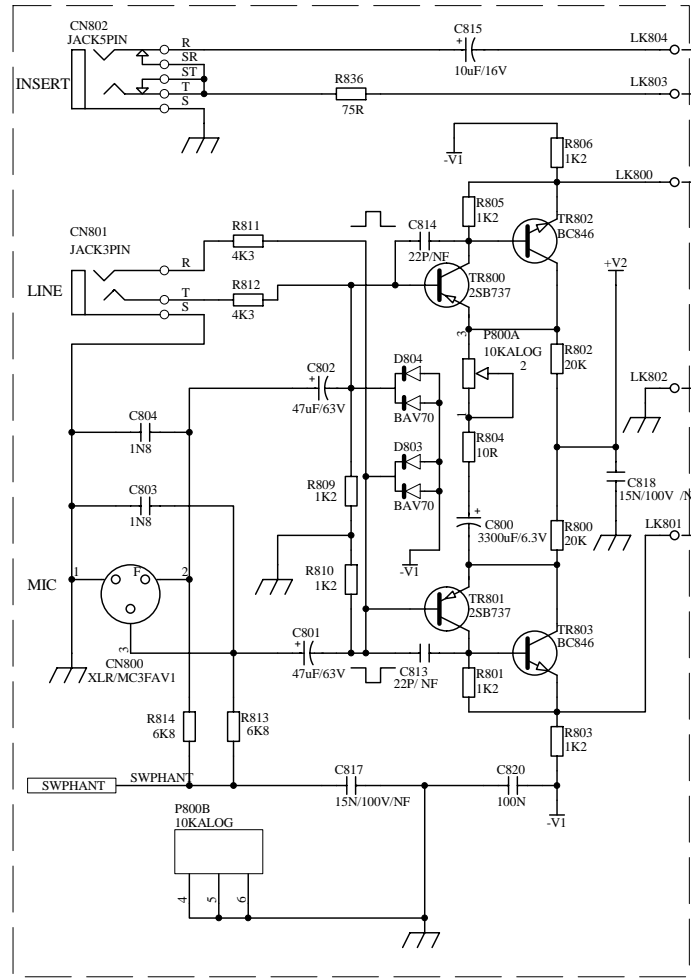
TITLE: EPM6 MIXER

SHEET: Sheet-A5 2 OF 11

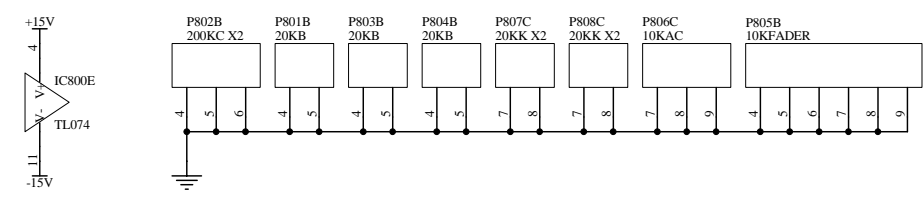
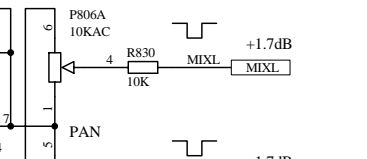
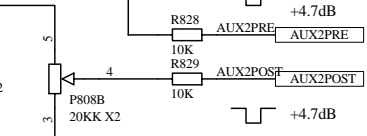
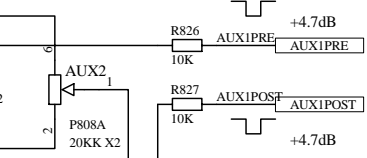
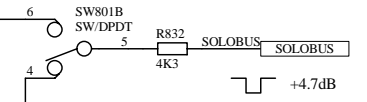
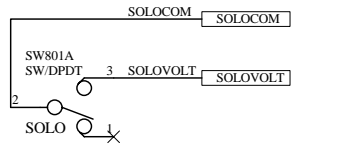
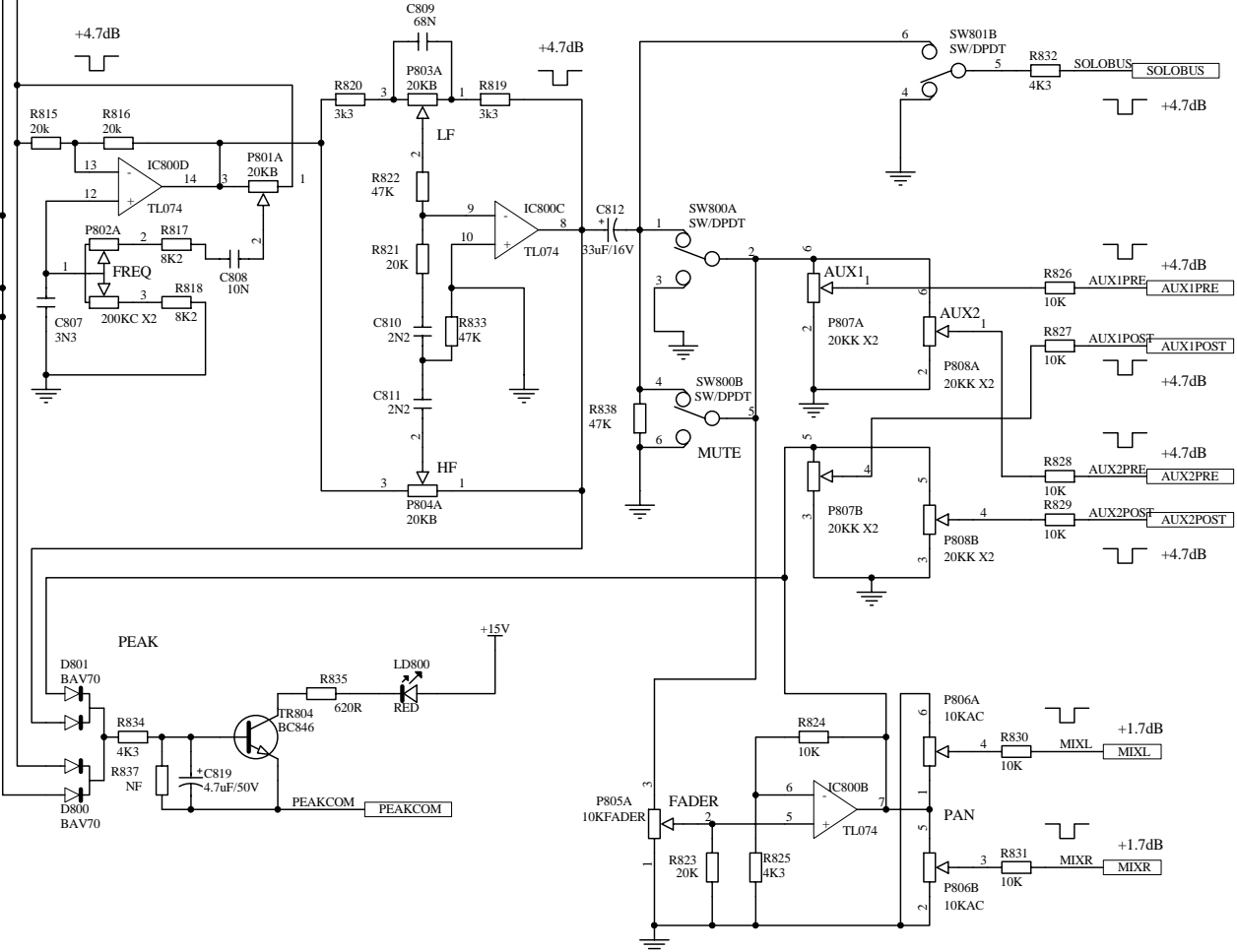
Model Name:
@Part No:
Part No:

BM File Name: Scale:
Prepared by: Checked by:
Date: Date:
Approved by:
Date:

PARTS ENCLOSED BY DOTTED LINE
ARE ON THE TOP BREAK-OFF SECTION

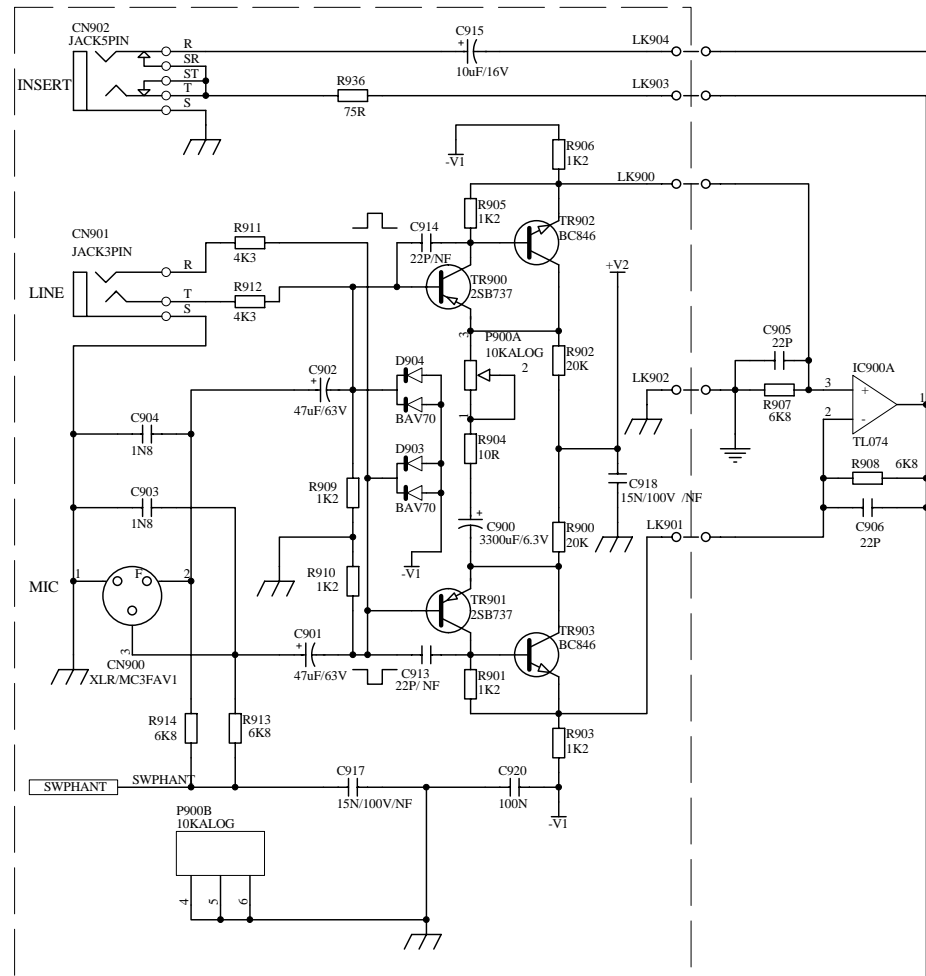


SIGNAL LEVELS ARE FOR:
MIC INPUT AT MINIMUM GAIN SETTING
CHANNEL FADER AT "0dB"
PAN-POT AND ALL EQ POTS AT CENTRE POSITION

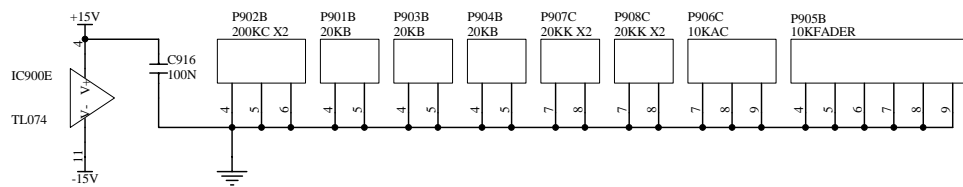
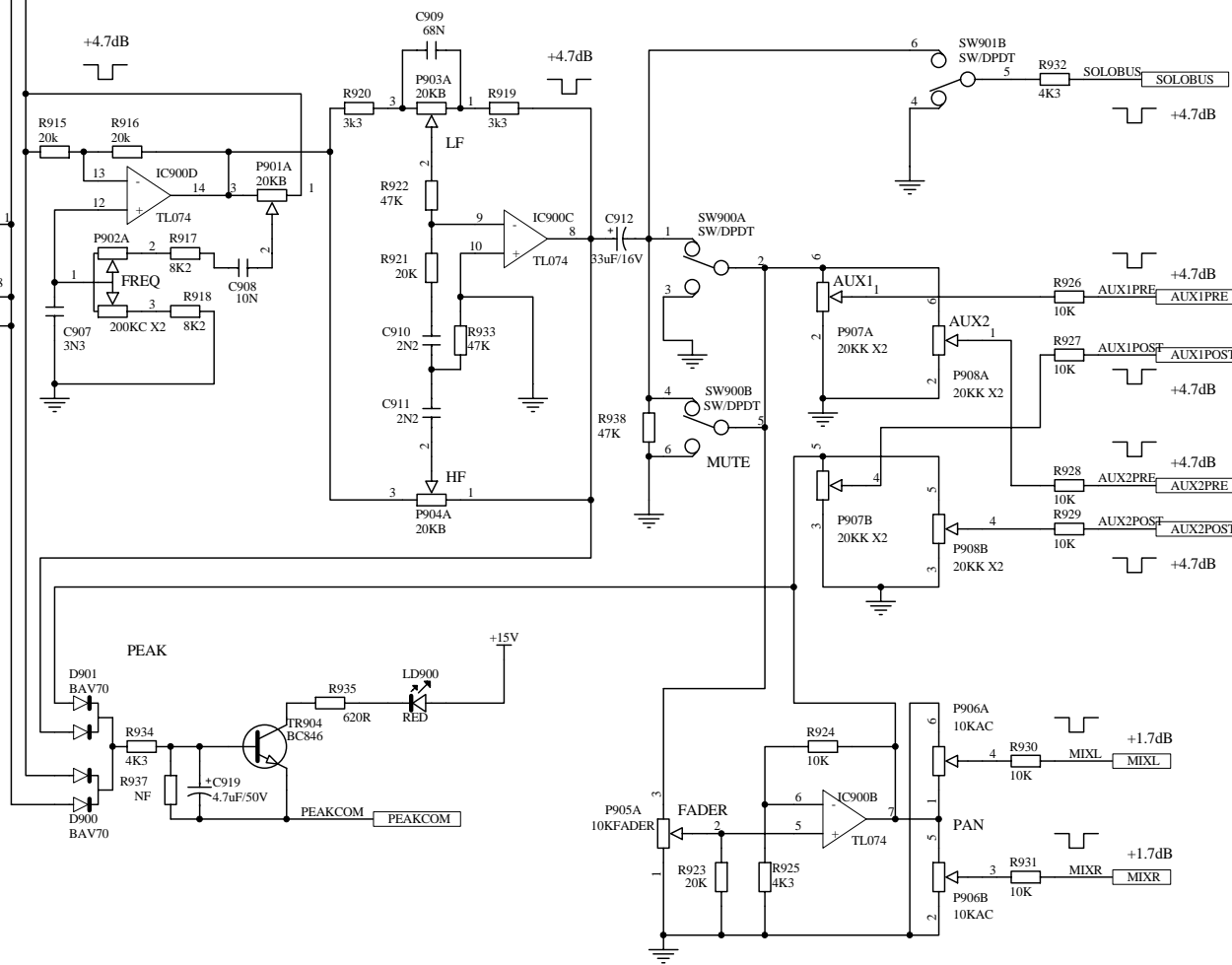


	17-Feb-2006	
REVISION	DATE	REVISION DESCRIPTION
TITLE: EPM6 MIXER		
SHEET: Sheet-A4 3 OF 11		
Model Name:		
@Part No:		
Part No:		
BM File Name:	Scale:	
Prepared by:	Checked by:	
Date:	Date:	
Approved by:	Date:	

PARTS ENCLOSED BY DOTTED LINE
ARE ON THE TOP BREAK-OFF SECTION



SIGNAL LEVELS ARE FOR:
MIC INPUT AT MINIMUM GAIN SETTING
CHANNEL FADER AT "0dB"
PAN-POT AND ALL EQ POTS AT CENTRE POSITION



REVISION	DATE	REVISION DESCRIPTION
	17-Feb-2006	

TITLE: EPM6 MIXER

SHEET: Sheet-A3 4 OF 11

Model Name:

@Part No:

Part No:

BM File Name: Scale:

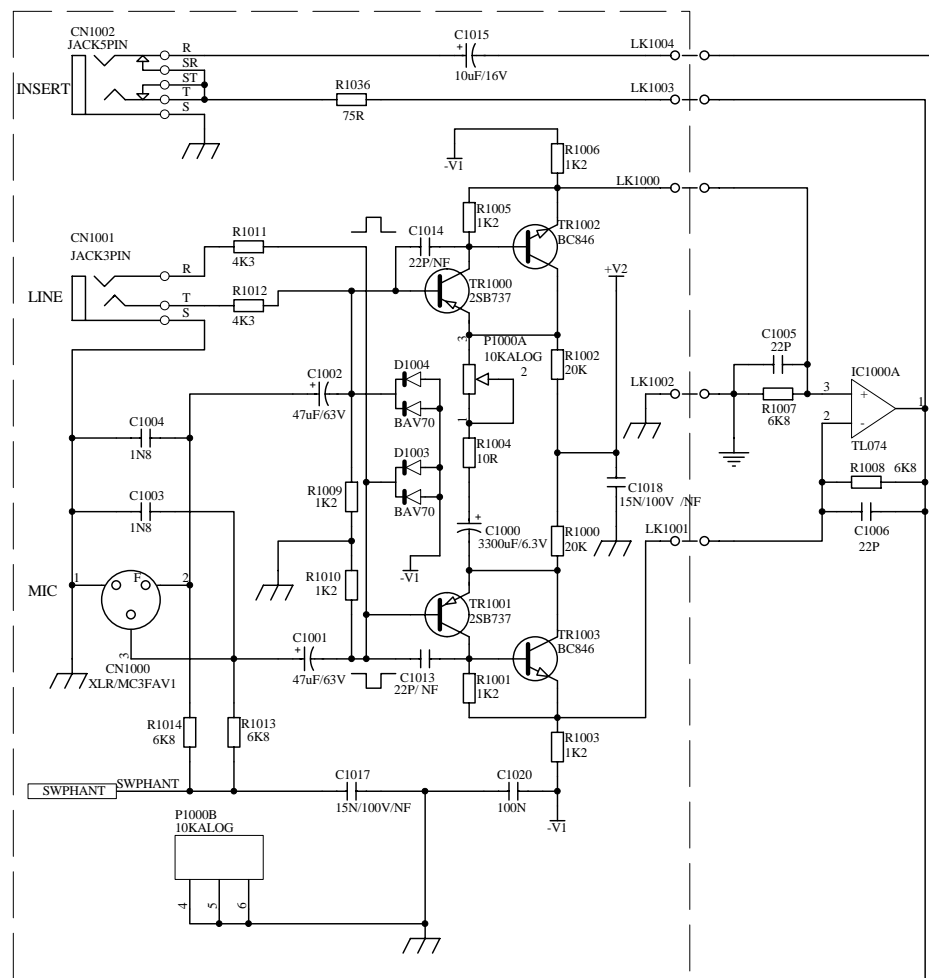
Prepared by: Checked by:

Date: Date:

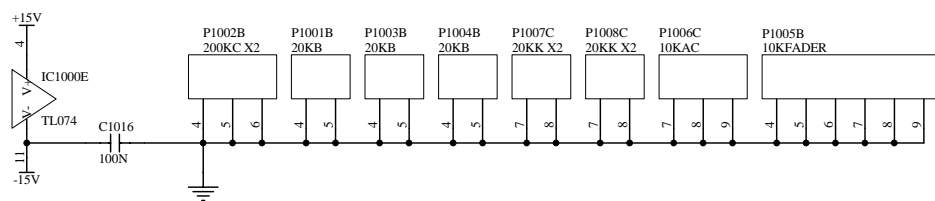
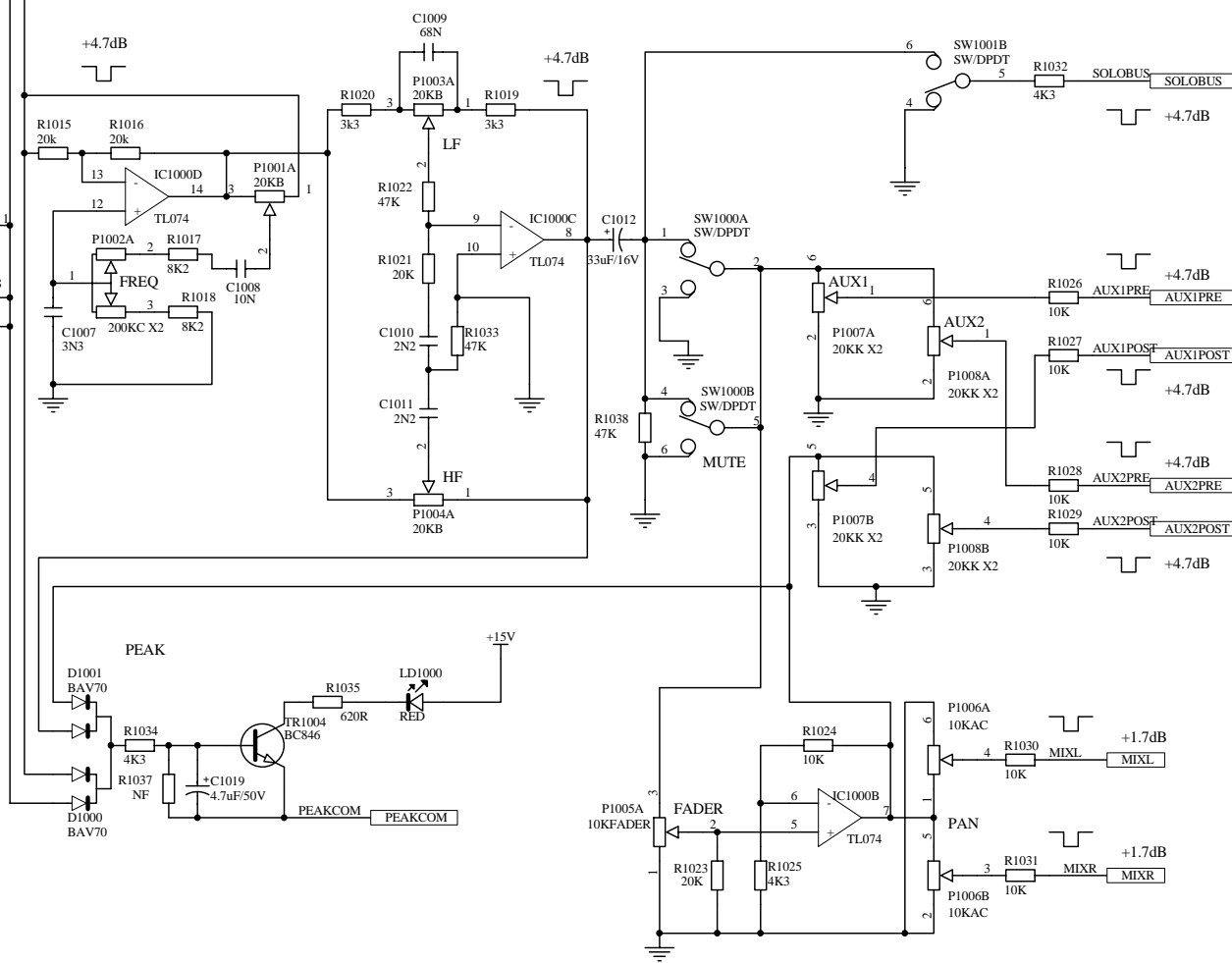
Approved by:

Date:

PARTS ENCLOSED BY DOTTED LINE
ARE ON THE TOP BREAK-OFF SECTION



SIGNAL LEVELS ARE FOR:
MIC INPUT AT MINIMUM GAIN SETTING
CHANNEL FADER AT "0dB"
PAN-POT AND ALL EQ POTS AT CENTRE POSITION



REVISION	DATE	REVISION DESCRIPTION
	17-Feb-2006	

TITLE: EPM6 MIXER

SHEET: Sheet-A2 5 OF 11

Model Name:

@Part No:

Part No:

BM File Name: Scale:

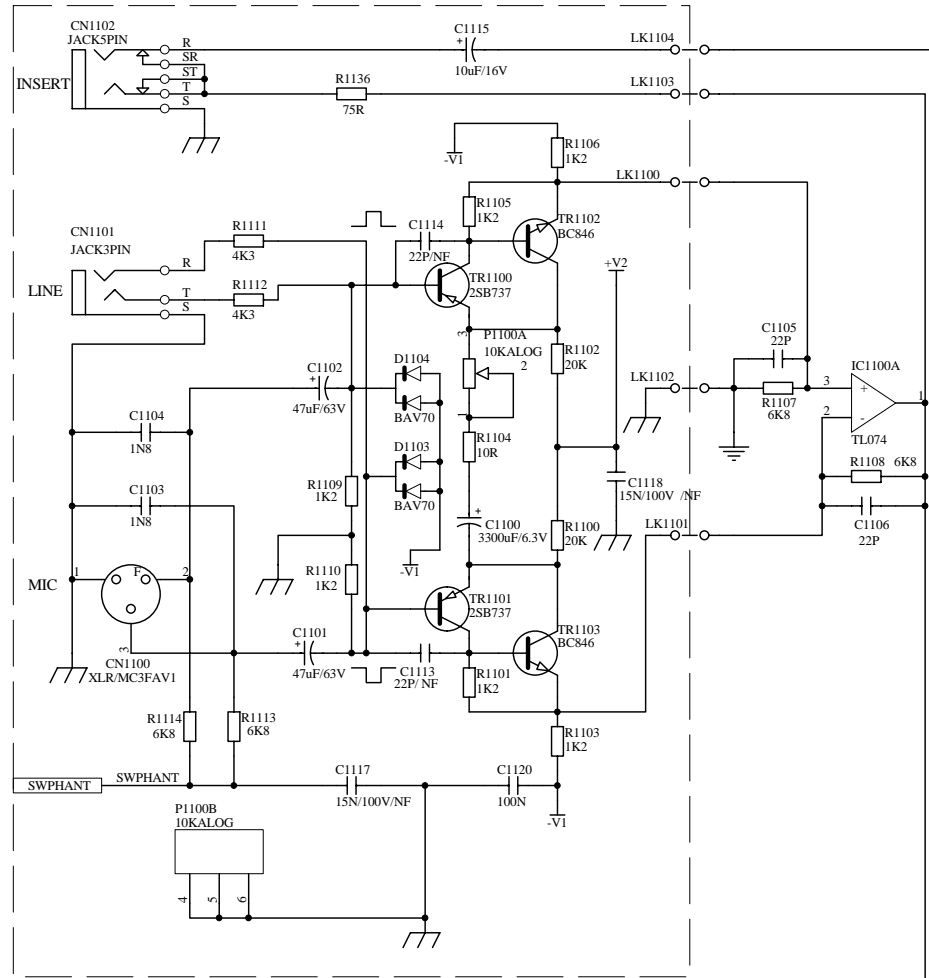
Prepared by: Checked by:

Date: Date:

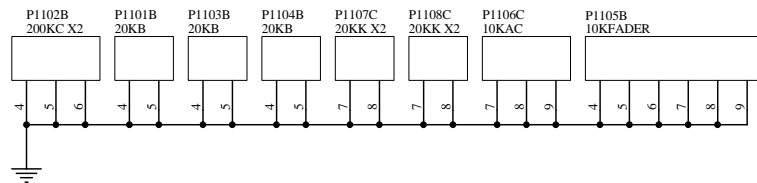
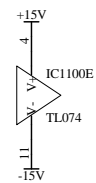
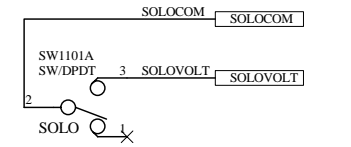
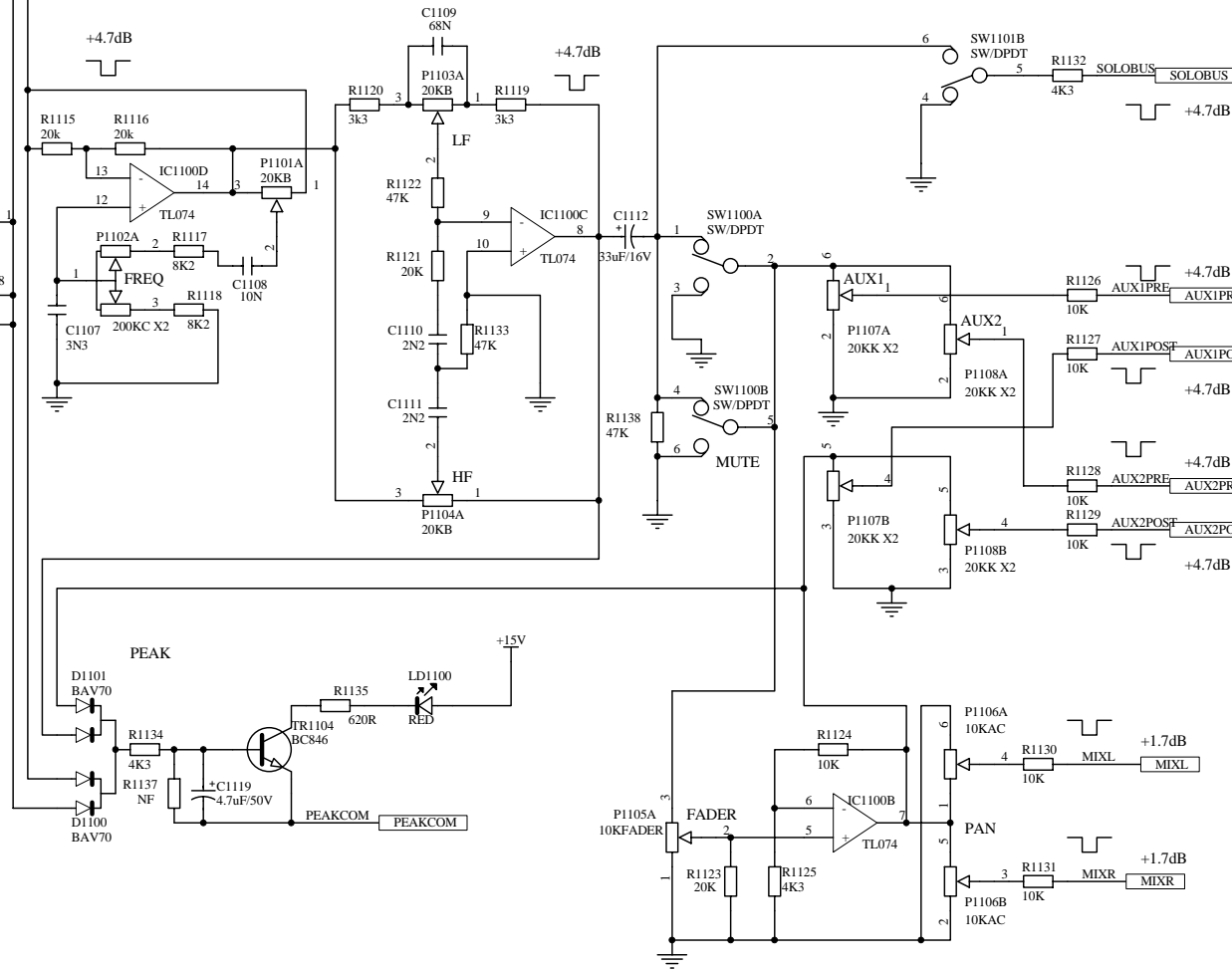
Approved by:

Date:

PARTS ENCLOSED BY DOTTED LINE
ARE ON THE TOP BREAK-OFF SECTION

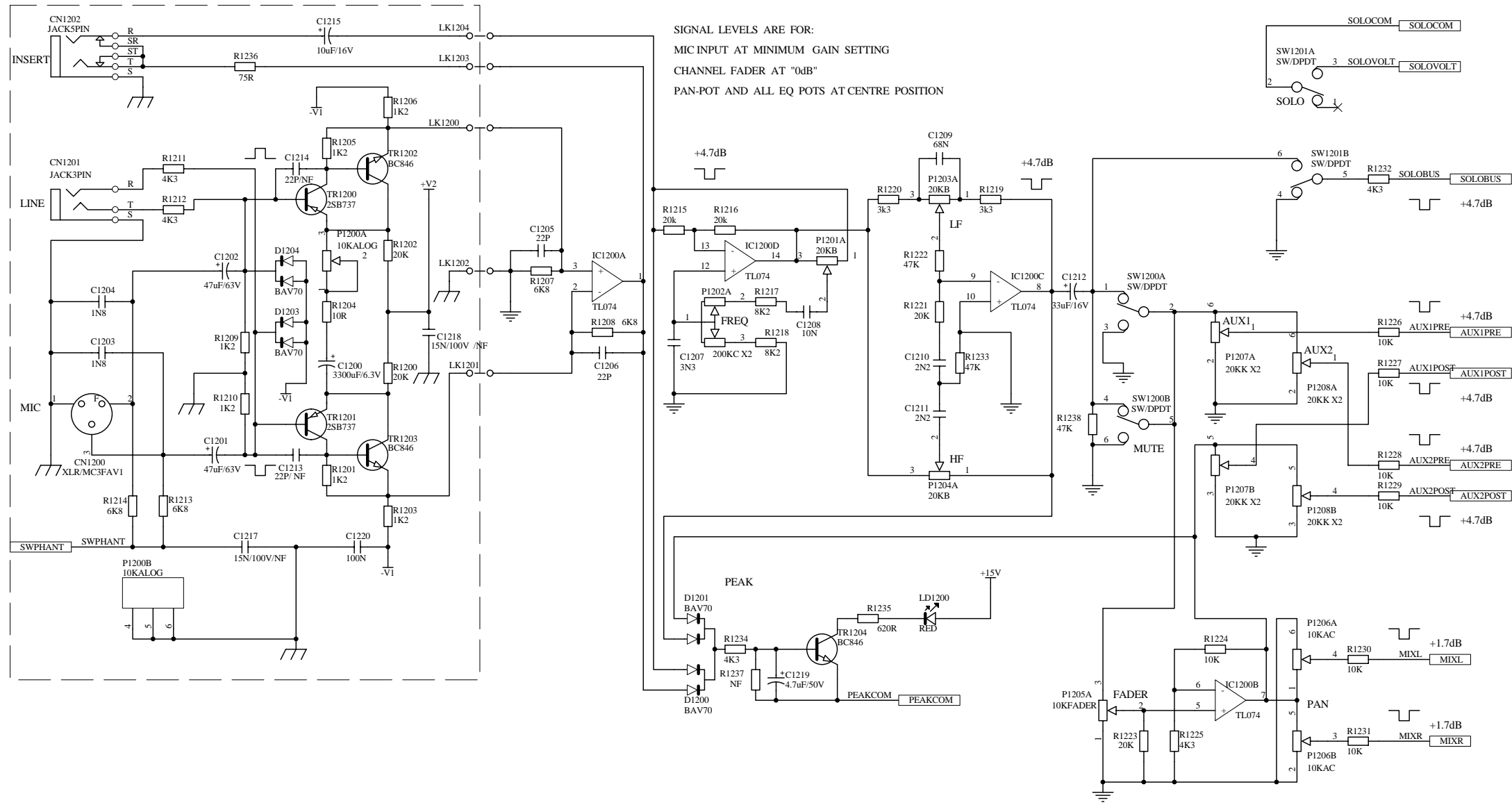


SIGNAL LEVELS ARE FOR:
MIC INPUT AT MINIMUM GAIN SETTING
CHANNEL FADER AT "0dB"
PAN-POT AND ALL EQ POTS AT CENTRE POSITION

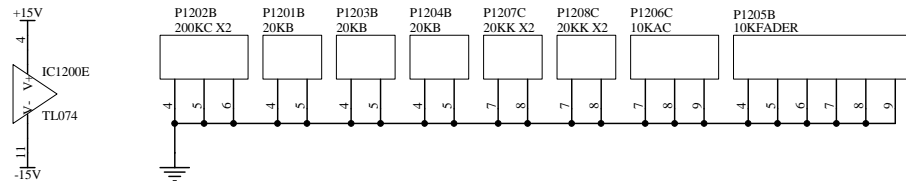
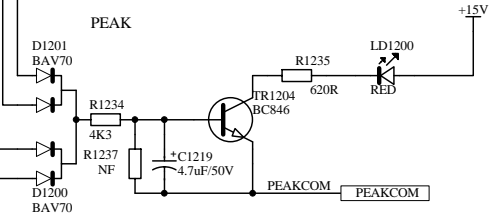
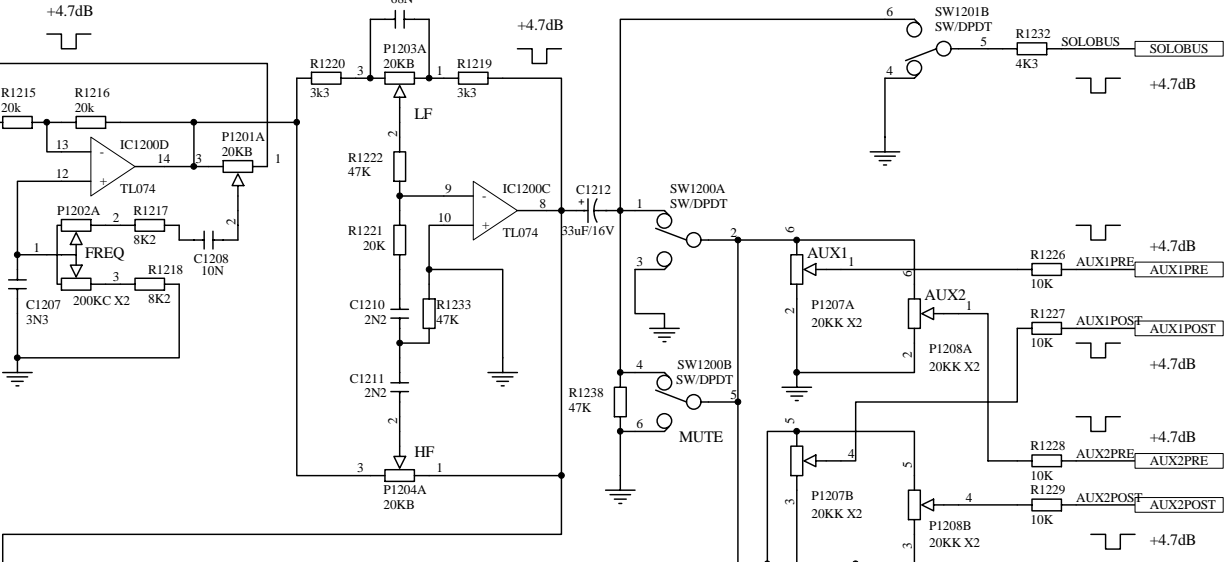
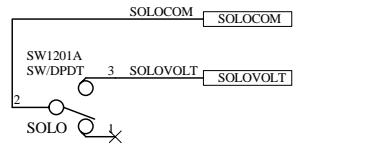


	17-Feb-2006	
REVISION	DATE	REVISION DESCRIPTION
TITLE: EPM6 MIXER		
SHEET: Sheet-A1		6 OF 11
Model Name:		
@Part No:		
Part No:		
BM File Name:	Scale:	
Prepared by:	Checked by:	
Date:	Date:	
Approved by:		
Date:		

PARTS ENCLOSED BY DOTTED LINE
ARE ON THE TOP BREAK-OFF SECTION

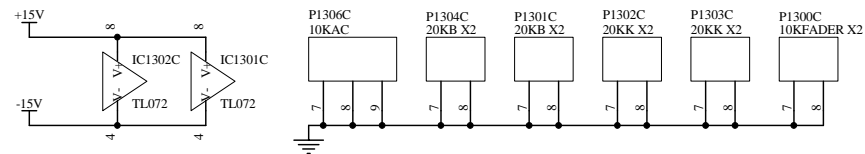
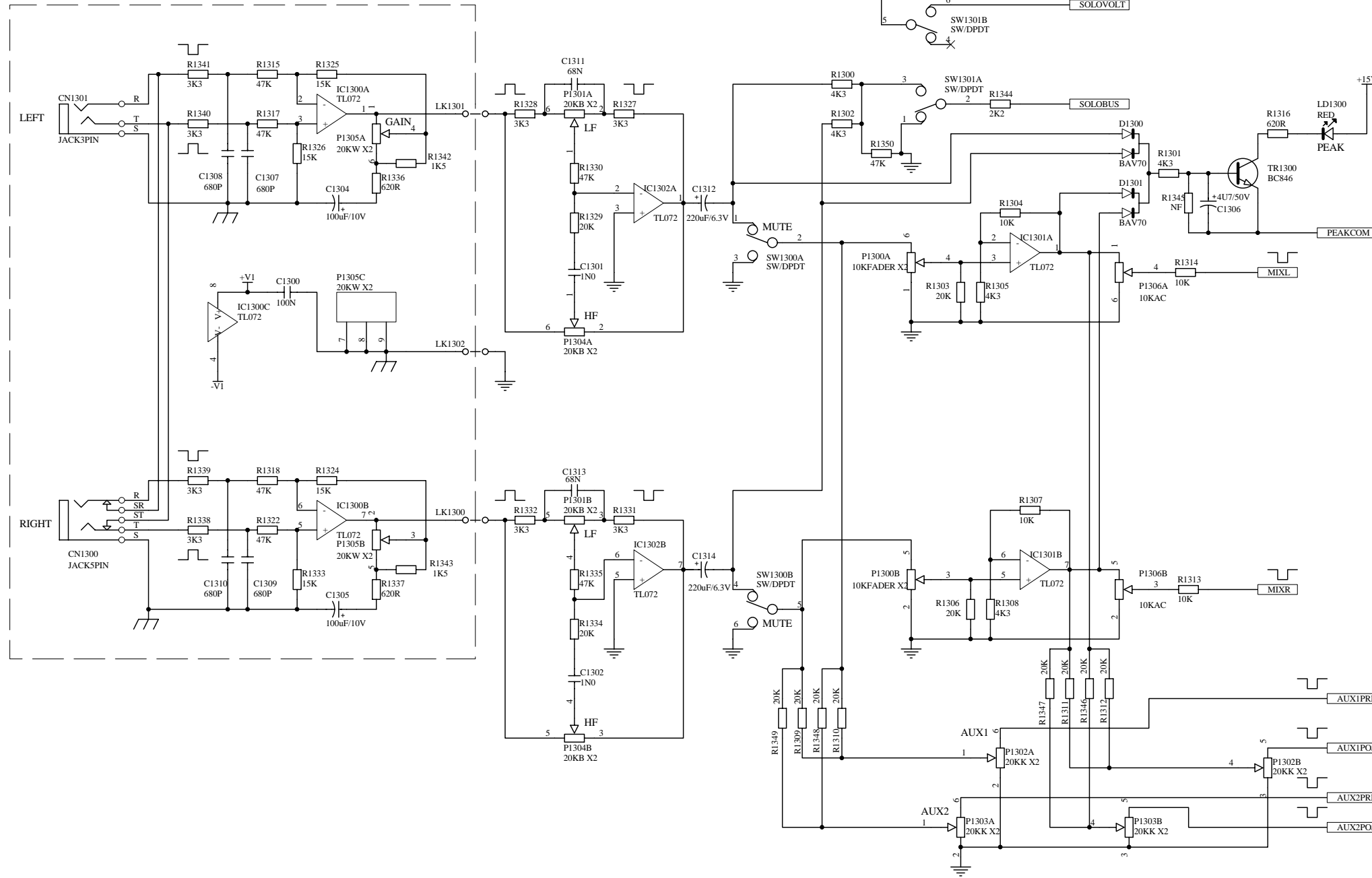


SIGNAL LEVELS ARE FOR:
MIC INPUT AT MINIMUM GAIN SETTING
CHANNEL FADER AT "0dB"
PAN-POT AND ALL EQ POTS AT CENTRE POSITION



	17-Feb-2006	
REVISION	DATE	REVISION DESCRIPTION
TITLE: EPM6 MIXER		
SHEET: Sheet-A 7 OF 11		
Model Name:		
@Part No:		
Part No:		
BM File Name:	Scale:	
Prepared by:	Checked by:	
Date:	Date:	
Approved by:		
Date:		

PARTS ENCLOSED BY DOTTED LINE
ARE ON THE TOP BREAK-OFF SECTION



REVISION	DATE	REVISION DESCRIPTION
	17-Feb-2006	

TITLE: EPM6 MIXER

SHEET: Sheet-C2 8 OF 11

Model Name:

@Part No:

Part No:

BM File Name: Scale:

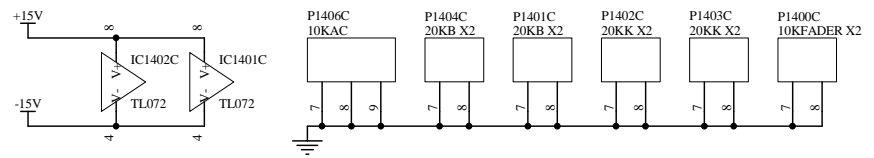
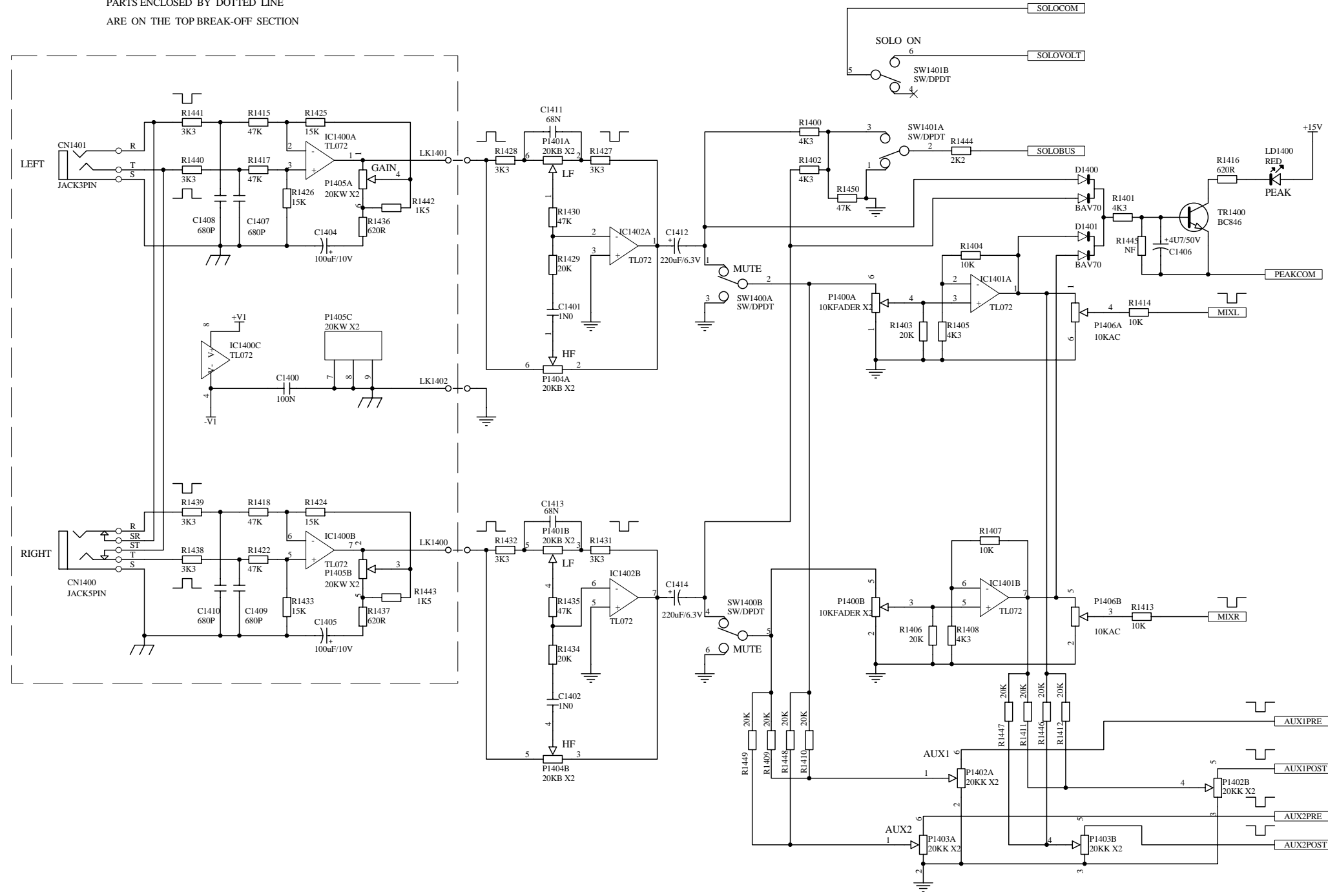
Prepared by: Checked by:

Date: Date:

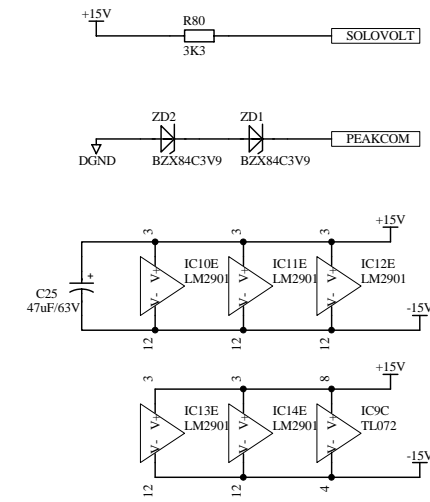
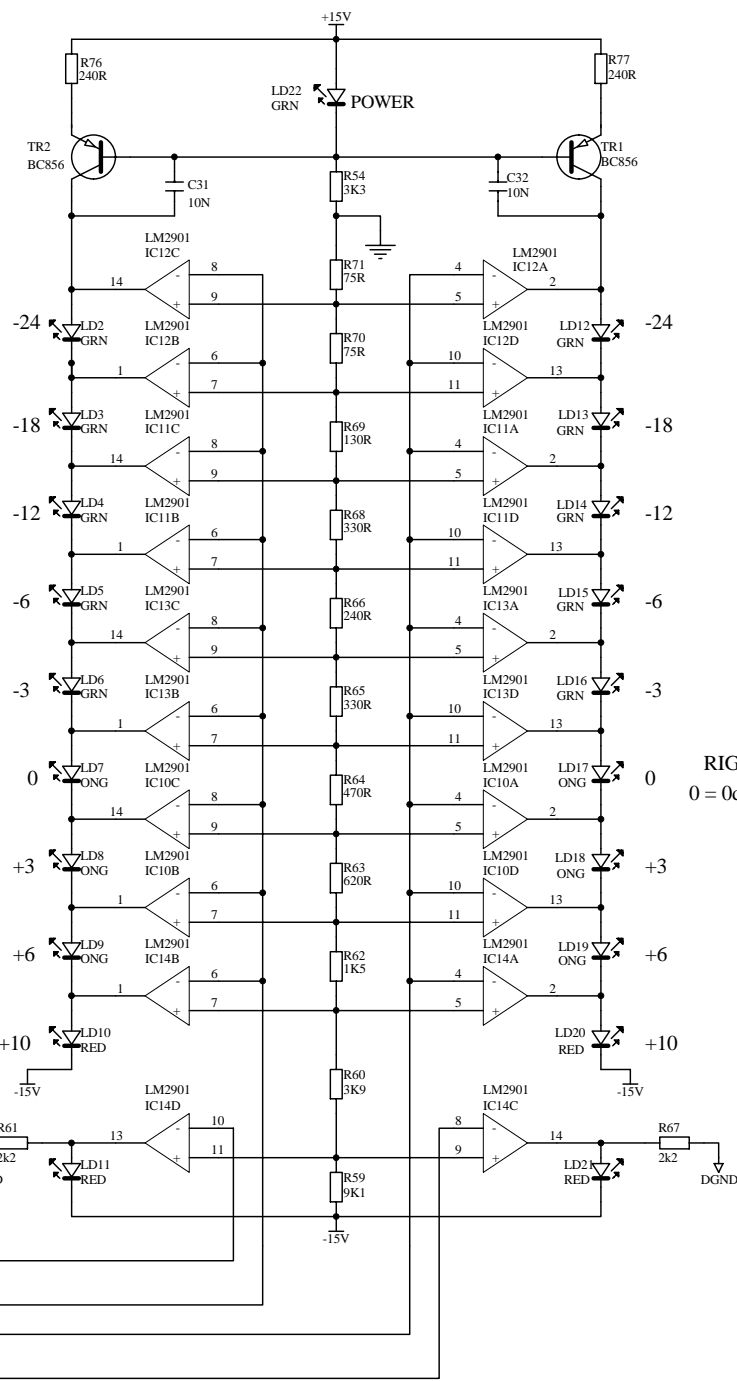
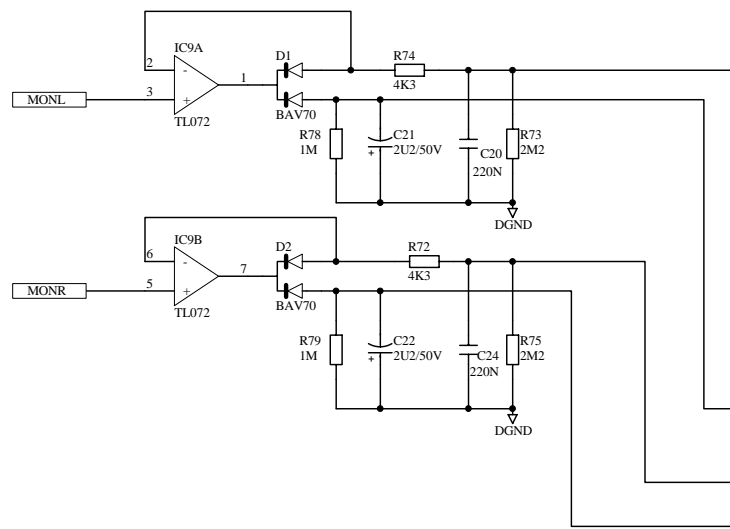
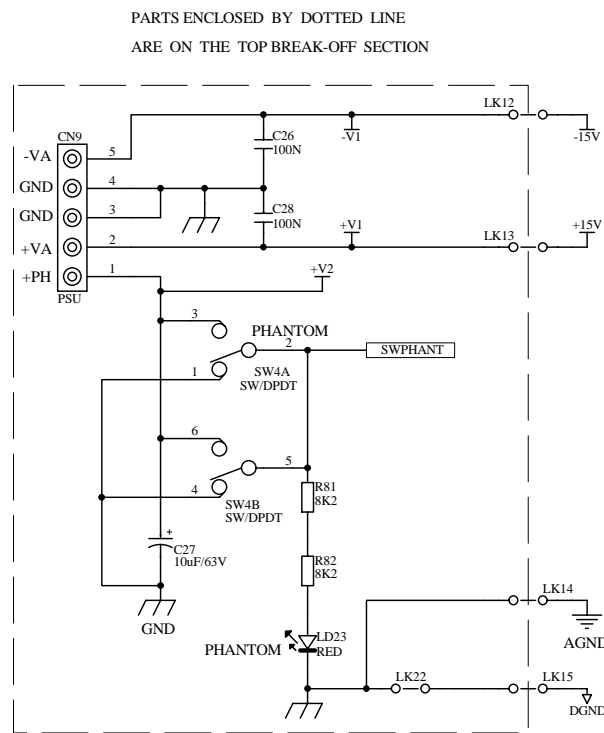
Approved by:

Date:

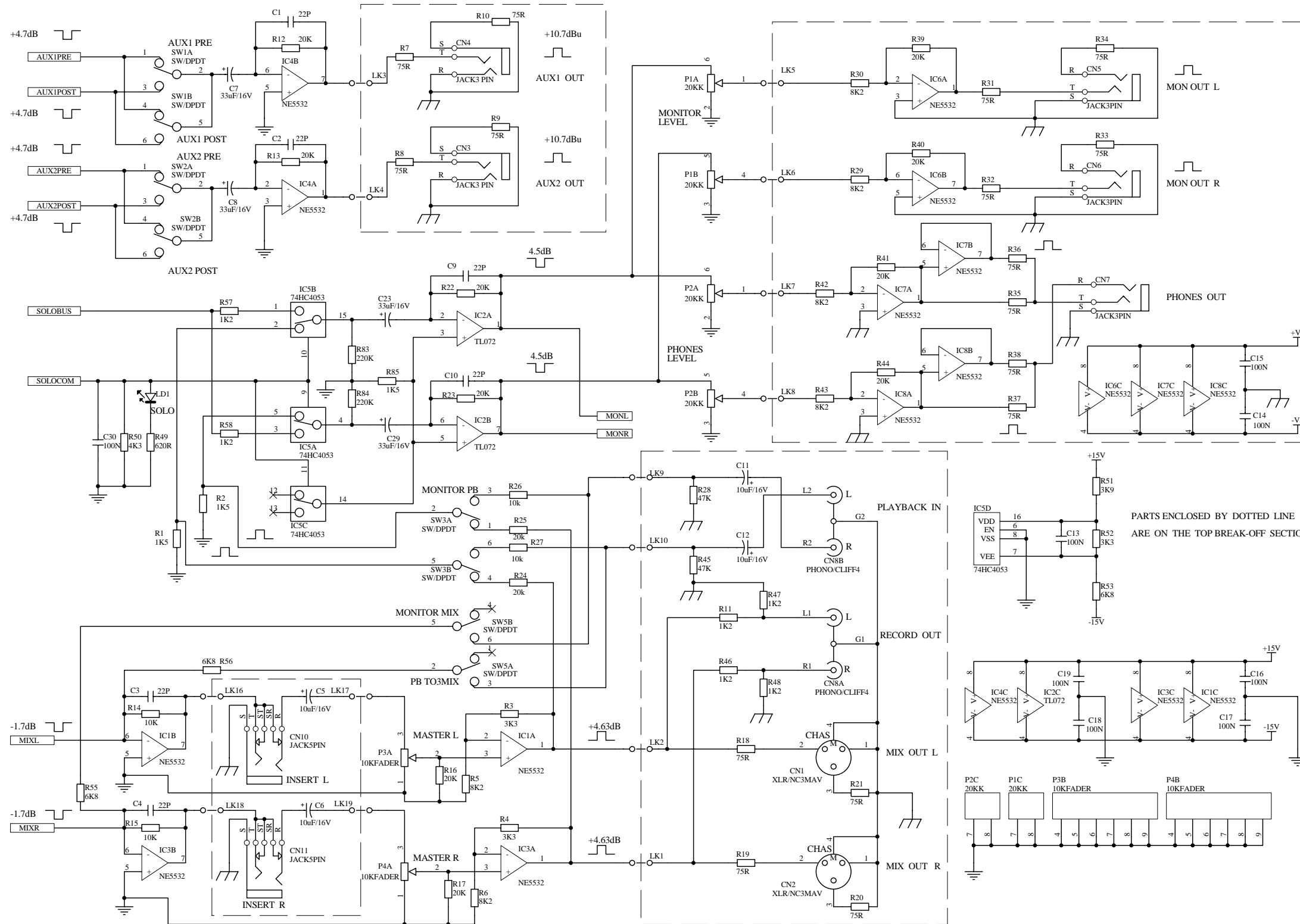
PARTS ENCLOSED BY DOTTED LINE
ARE ON THE TOP BREAK-OFF SECTION



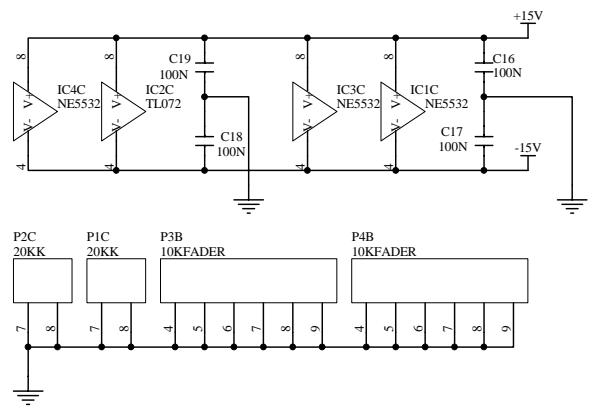
	17-Feb-2006	
REVISION	DATE	REVISION DESCRIPTION
TITLE: EPM6 MIXER		
SHEET: Sheet-C		9 OF 11
Model Name:		
@Part No:		
Part No:		
BM File Name:	Scale:	
Prepared by:	Checked by:	
Date:	Date:	
Approved by:		
Date:		



	17-Feb-2006	
REVISION	DATE	REVISION DESCRIPTION
TITLE: EPM6 MIXER		
SHEET: Sheet-B		10 OF 11
Model Name:		
@Part No:		
Part No:		
BM File Name:	Scale:	
Prepared by:	Checked by:	
Date:	Date:	
Approved by:	Date:	



PARTS ENCLOSED BY DOTTED LINE ARE ON THE TOP BREAK-OFF SECTION



REVISION	DATE	REVISION DESCRIPTION
	17-Feb-2006	

TITLE: EPM6 MIXER	
SHEET: Sheet-D	11 OF 11
Model Name:	
@Part No:	
Part No:	
BM File Name:	Scale:
Prepared by:	Checked by:
Date:	Date:
Approved by:	
Date:	