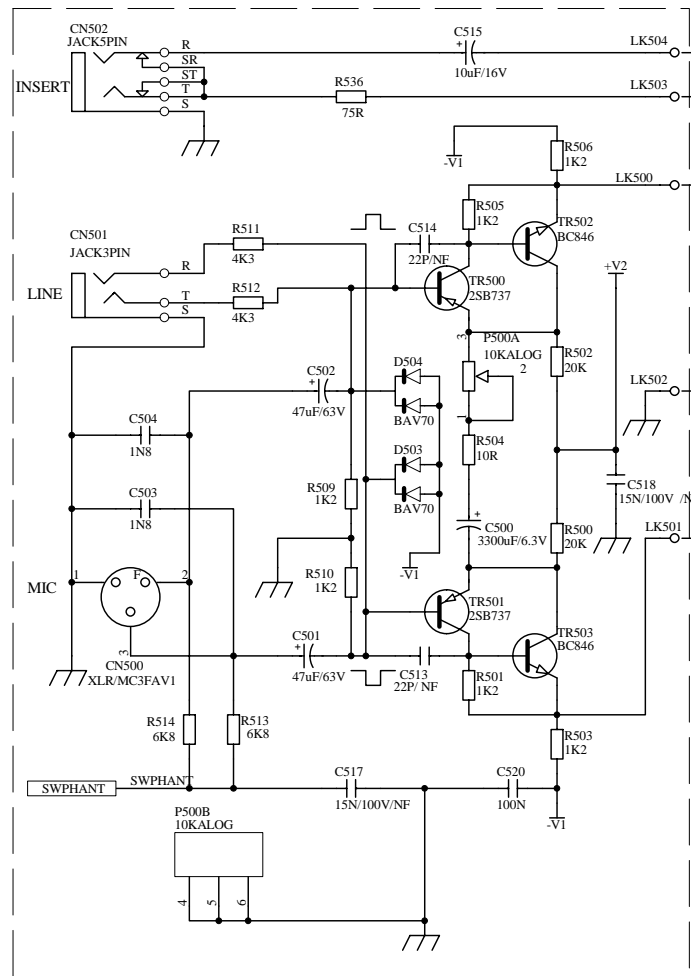


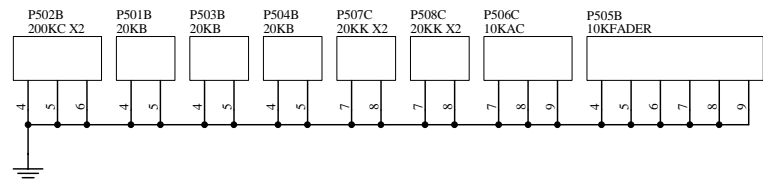
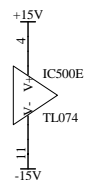
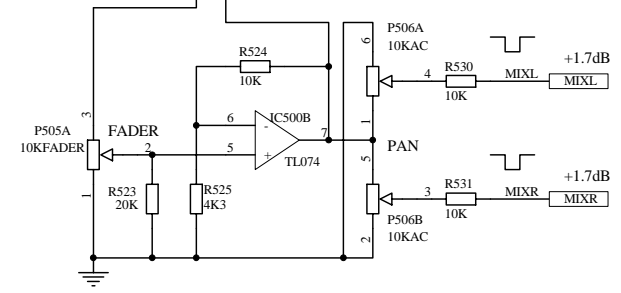
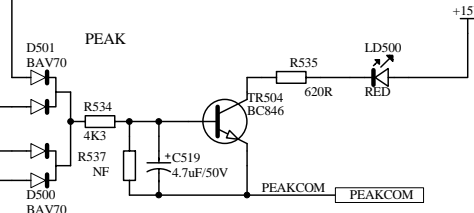
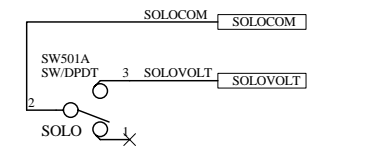
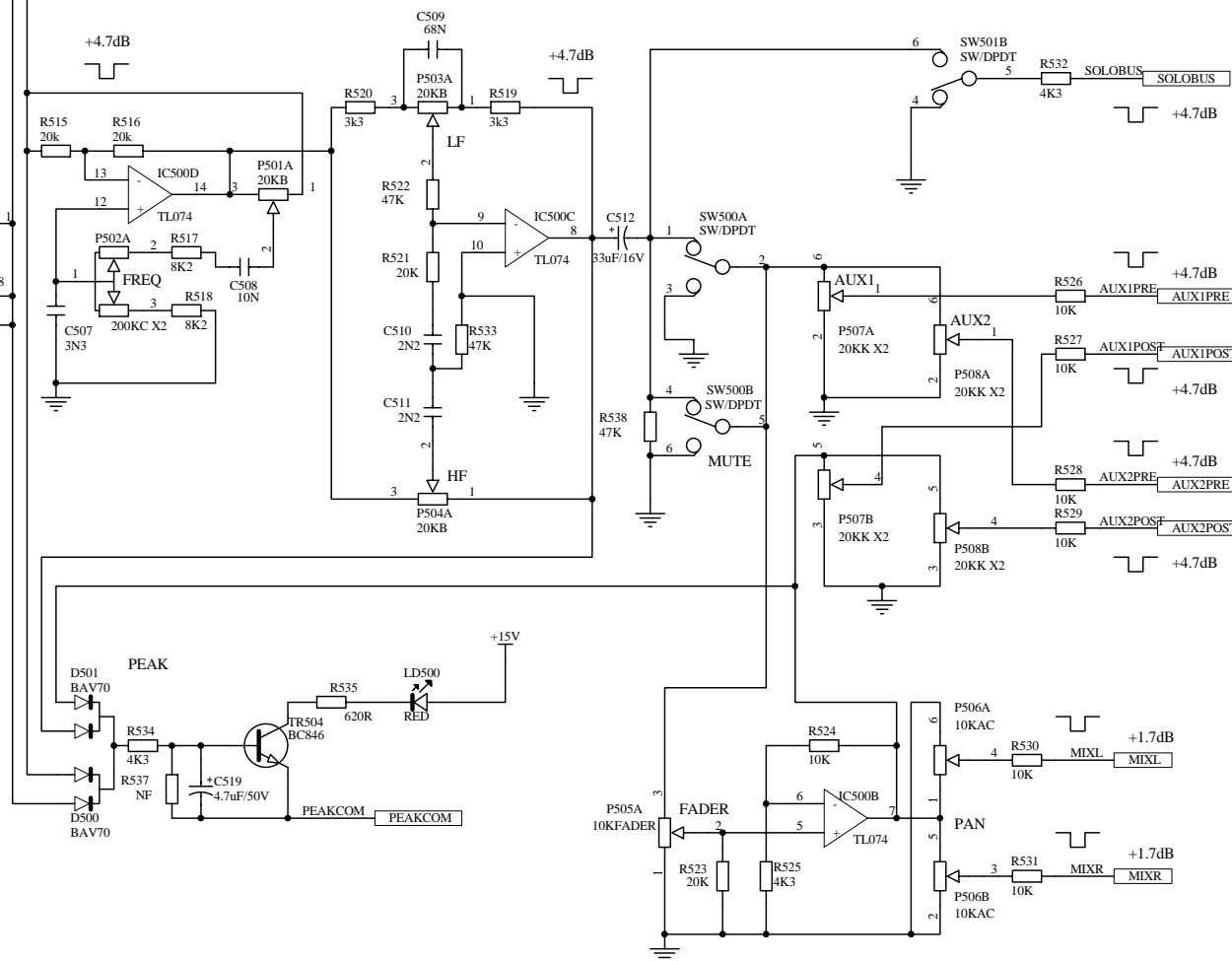
	17-Feb-2006	
REVISION	DATE	REVISION DESCRIPTION

<b>TITLE: EPM8 MIXER</b>	
SHEET: EPM8 <span style="float: right;">1 OF 13</span>	
Model Name:	
@Part No:	
Part No:	
BM File Name:	Scale:
Prepared by:	Checked by:
Date:	Date:
Approved by:	
Date:	

PARTS ENCLOSED BY DOTTED LINE  
ARE ON THE TOP BREAK-OFF SECTION



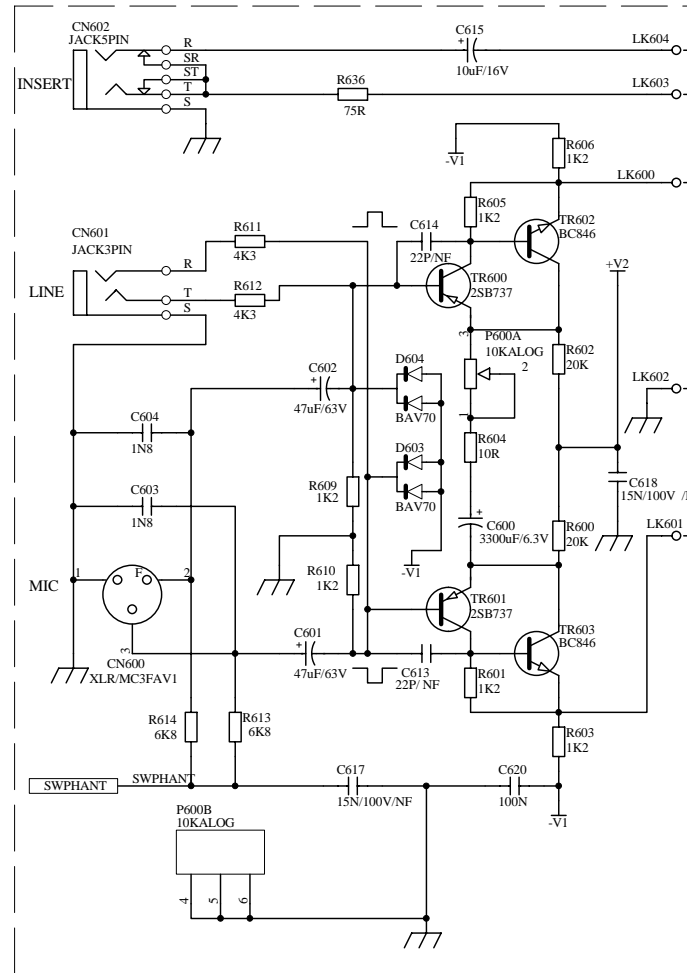
SIGNAL LEVELS ARE FOR:  
MIC INPUT AT MINIMUM GAIN SETTING  
CHANNEL FADER AT "0dB"  
PAN-POT AND ALL EQ POTS AT CENTRE POSITION



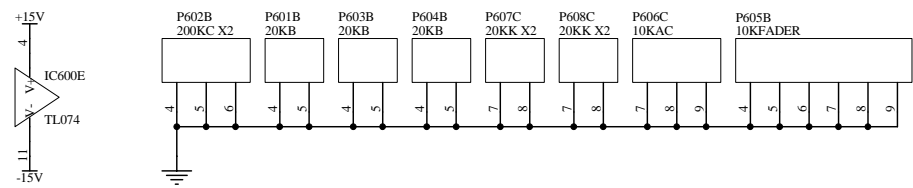
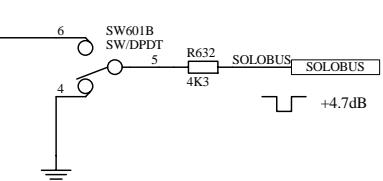
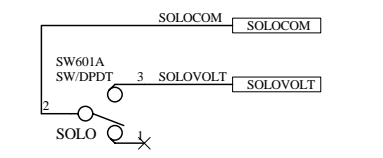
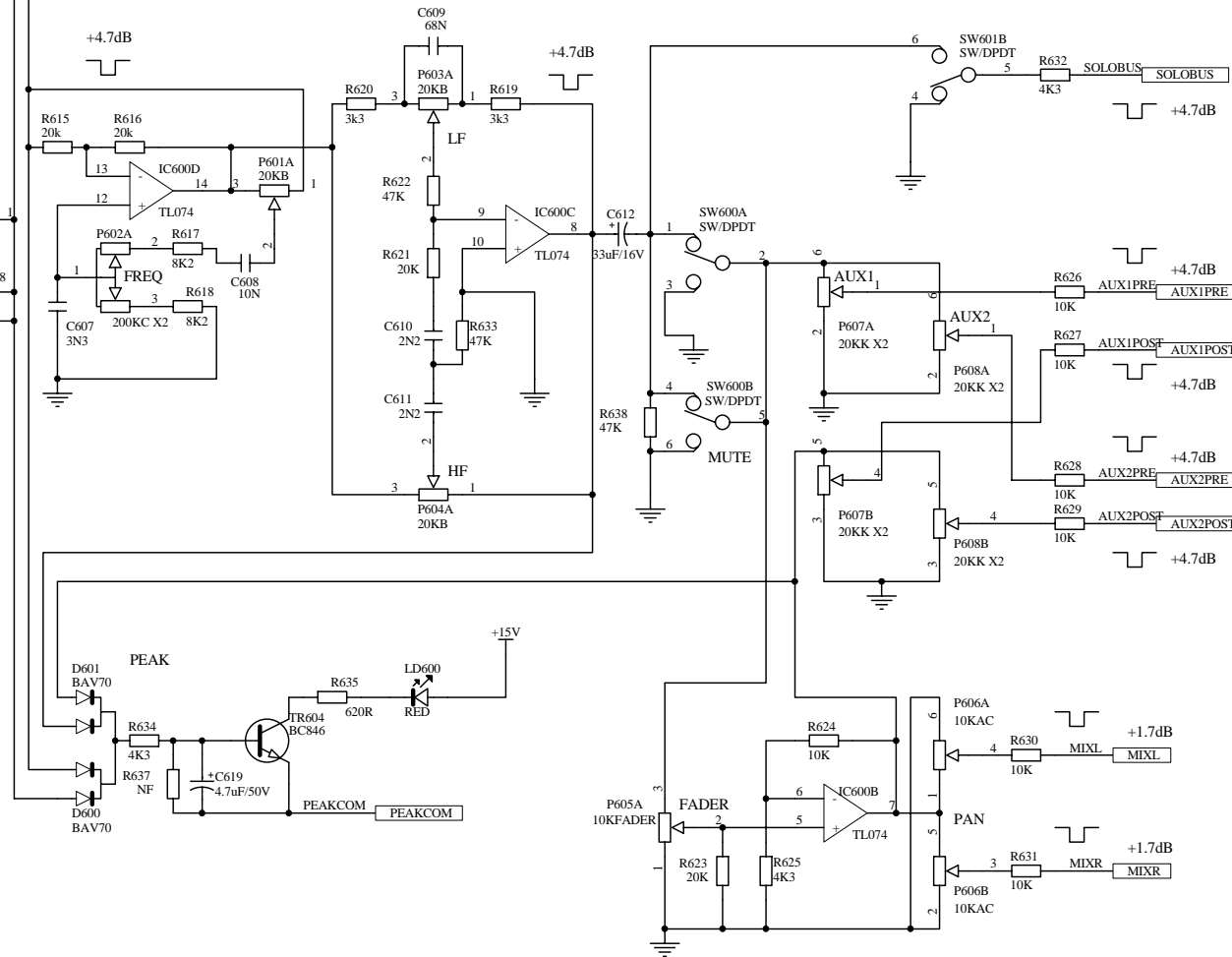
REVISION	DATE	REVISION DESCRIPTION
	17-Feb-2006	

<b>TITLE: EPM8 MIXER</b>	
SHEET: Sheet-A7 2 OF 13	
Model Name:	
@Part No:	
Part No:	
BM File Name:	Scale:
Prepared by:	Checked by:
Date:	Date:
Approved by:	
Date:	

PARTS ENCLOSED BY DOTTED LINE  
ARE ON THE TOP BREAK-OFF SECTION

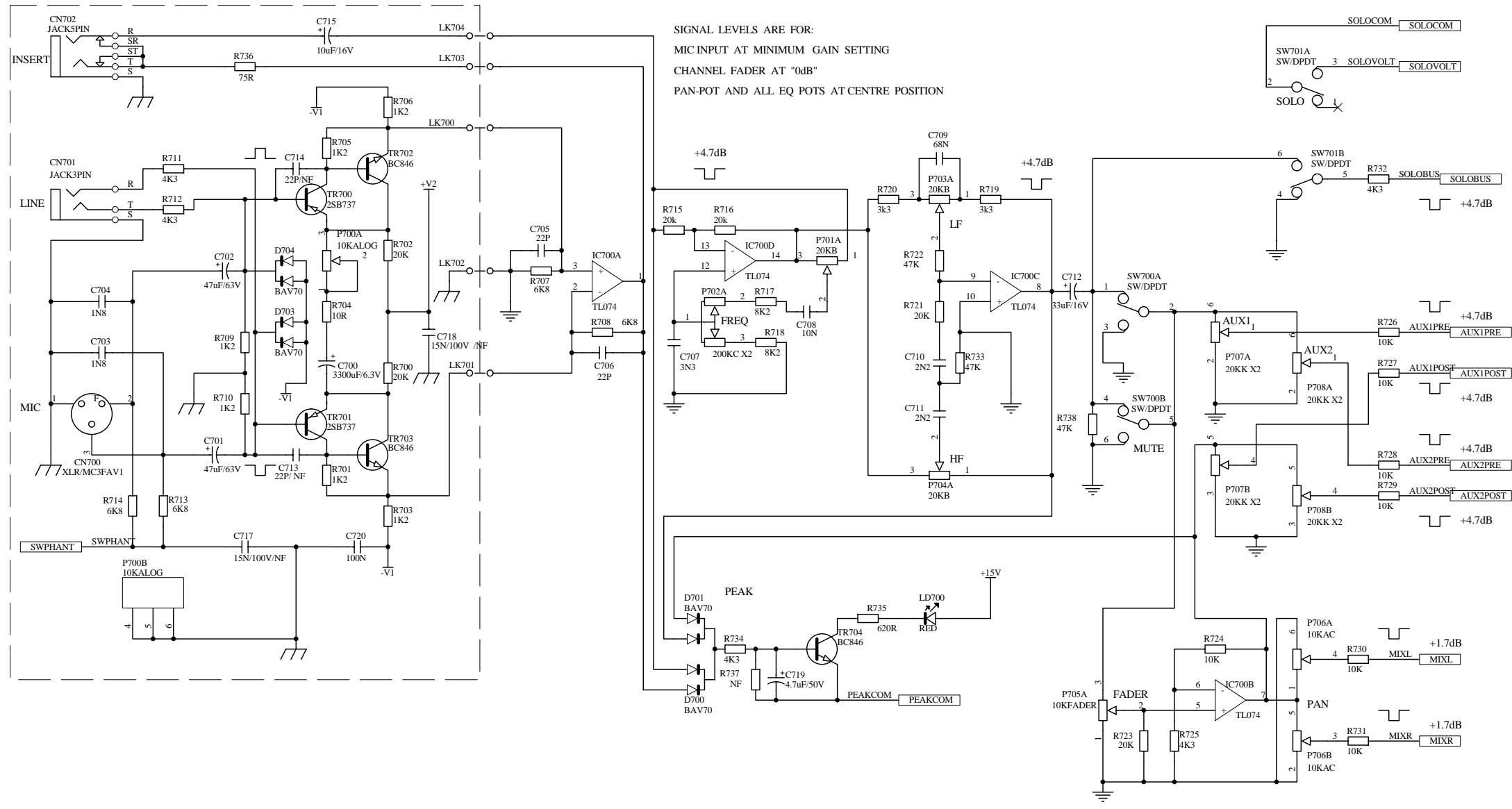


SIGNAL LEVELS ARE FOR:  
MIC INPUT AT MINIMUM GAIN SETTING  
CHANNEL FADER AT "0dB"  
PAN-POT AND ALL EQ POTS AT CENTRE POSITION

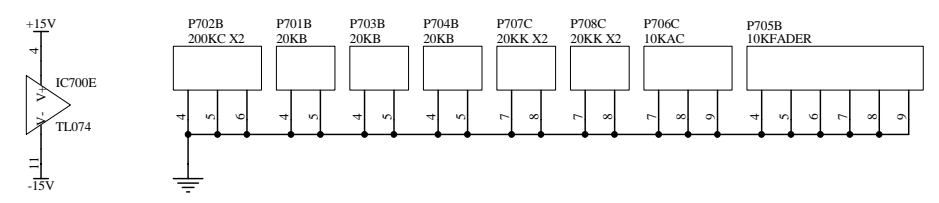


	17-Feb-2006	
REVISION	DATE	REVISION DESCRIPTION
TITLE: EPM8 MIXER		
SHEET: Sheet-A6 3 OF 13		
Model Name:		
@Part No:		
Part No:		
BM File Name:	Scale:	
Prepared by:	Checked by:	
Date:	Date:	
Approved by:	Date:	

PARTS ENCLOSED BY DOTTED LINE  
ARE ON THE TOP BREAK-OFF SECTION



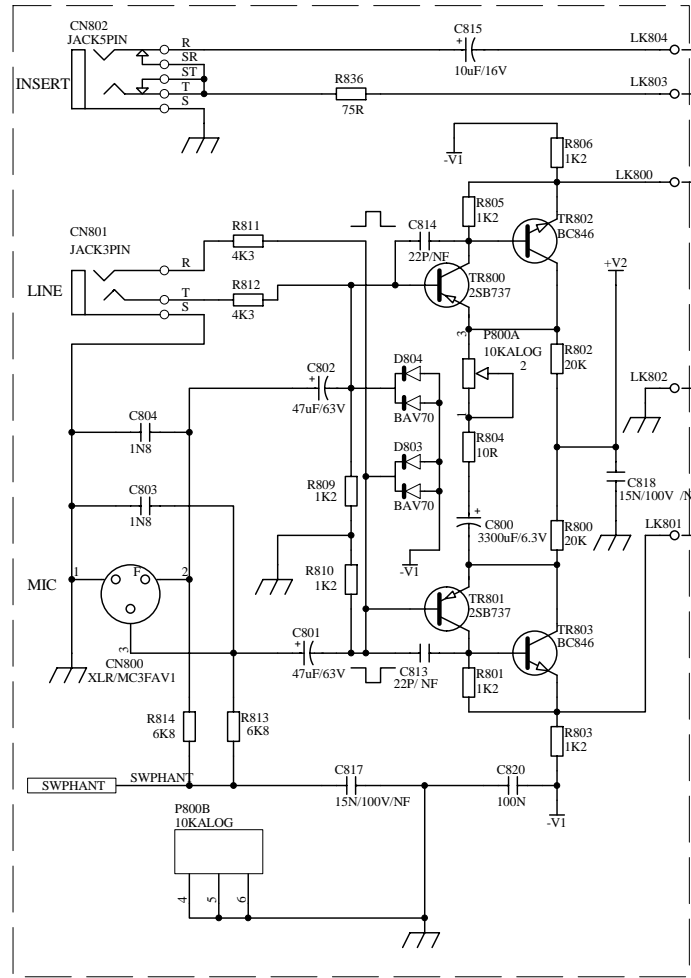
SIGNAL LEVELS ARE FOR:  
MIC INPUT AT MINIMUM GAIN SETTING  
CHANNEL FADER AT "0dB"  
PAN-POT AND ALL EQ POTS AT CENTRE POSITION



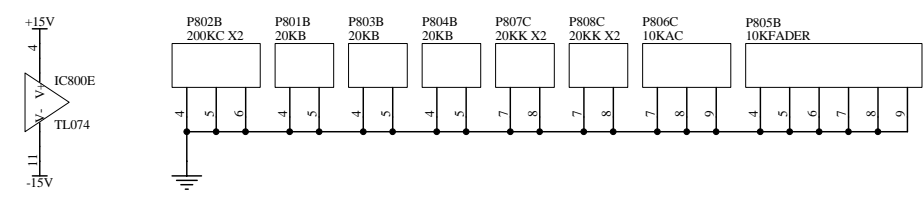
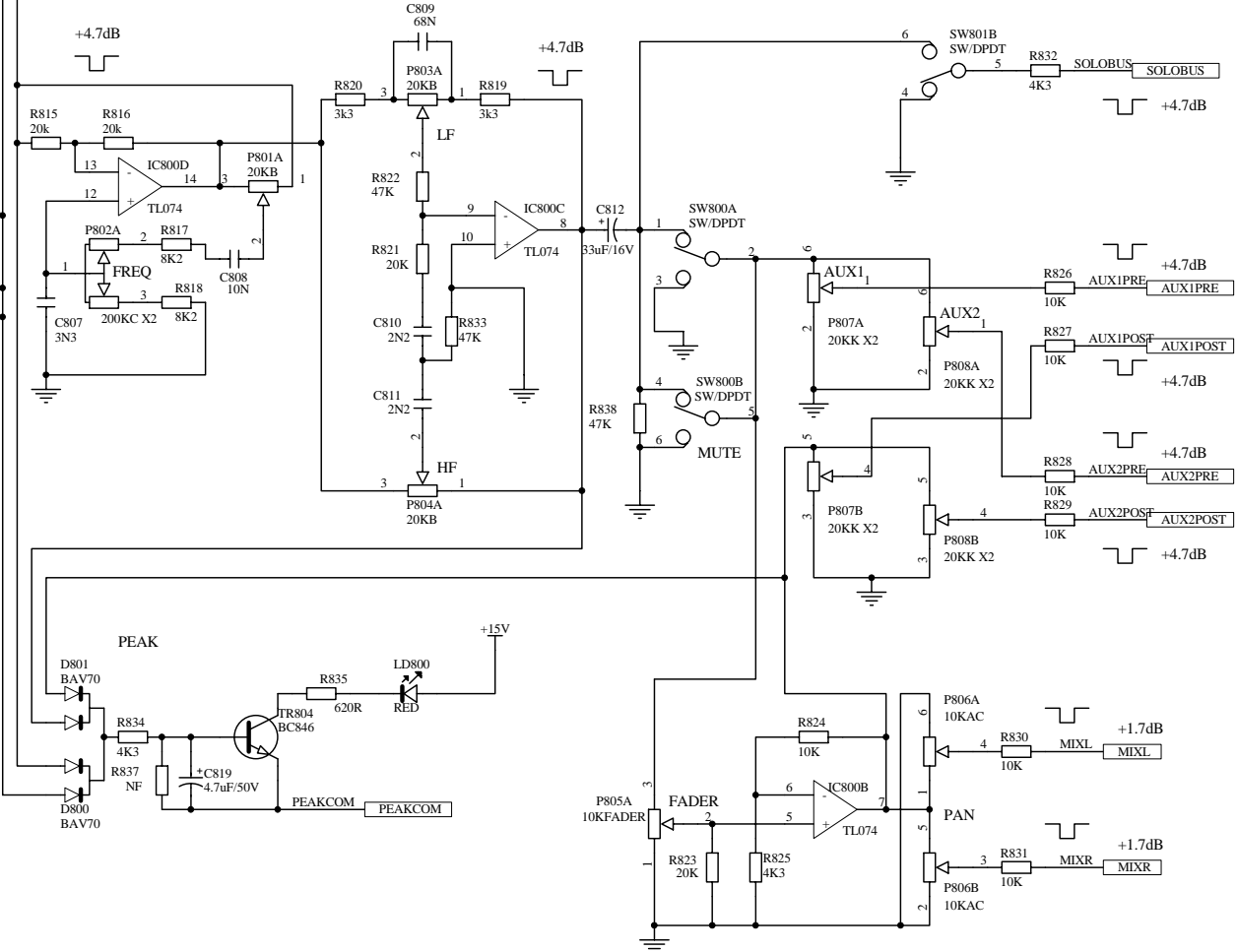
REVISION	DATE	REVISION DESCRIPTION
	17-Feb-2006	

**TITLE: EPM8 MIXER**  
 SHEET: Sheet-A3 4 OF 13  
 Model Name:  
 @Part No:  
 Part No:  
 BM File Name: Scale:  
 Prepared by: Checked by:  
 Date: Date:  
 Approved by:  
 Date:

PARTS ENCLOSED BY DOTTED LINE  
ARE ON THE TOP BREAK-OFF SECTION

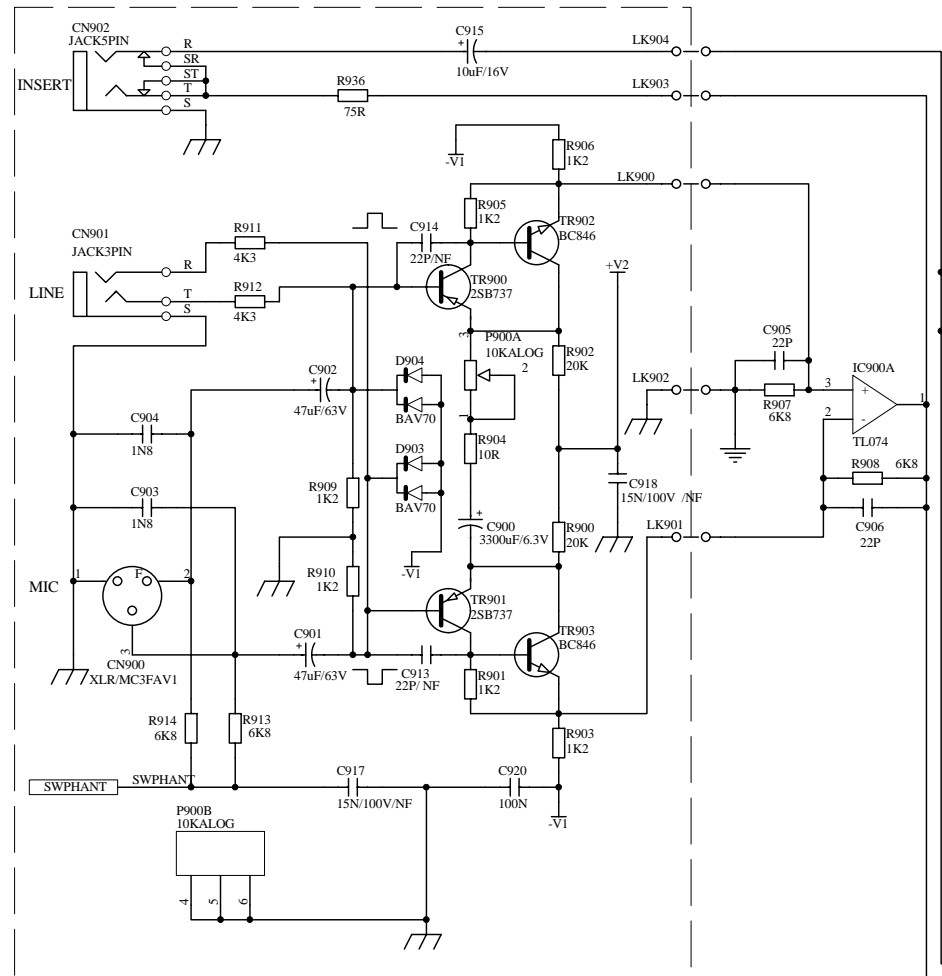


SIGNAL LEVELS ARE FOR:  
MIC INPUT AT MINIMUM GAIN SETTING  
CHANNEL FADER AT "0dB"  
PAN-POT AND ALL EQ POTS AT CENTRE POSITION

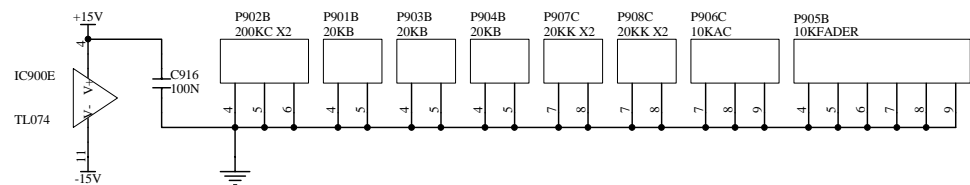
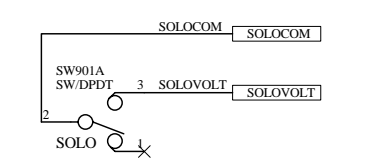
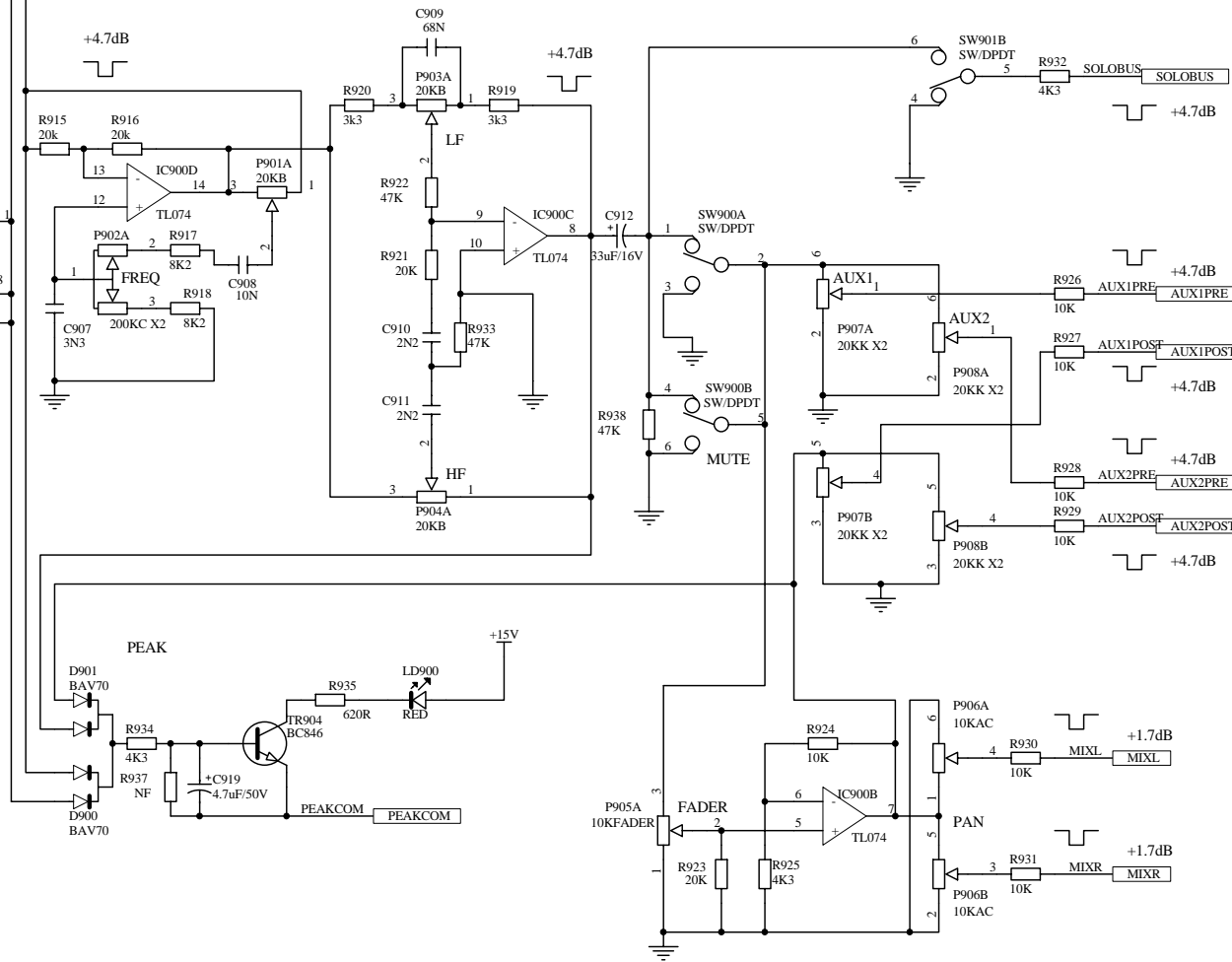


	17-Feb-2006	
REVISION	DATE	REVISION DESCRIPTION
TITLE: EPM8 MIXER		
SHEET: Sheet-A4 5 OF 13		
Model Name:		
@Part No:		
Part No:		
BM File Name:	Scale:	
Prepared by:	Checked by:	
Date:	Date:	
Approved by:		
Date:		

PARTS ENCLOSED BY DOTTED LINE  
ARE ON THE TOP BREAK-OFF SECTION



SIGNAL LEVELS ARE FOR:  
MIC INPUT AT MINIMUM GAIN SETTING  
CHANNEL FADER AT "0dB"  
PAN-POT AND ALL EQ POTS AT CENTRE POSITION



REVISION	DATE	REVISION DESCRIPTION
	17-Feb-2006	

TITLE: EPM8 MIXER

SHEET: Sheet-A3 6 OF 13

Model Name:

@Part No:

Part No:

BM File Name: Scale:

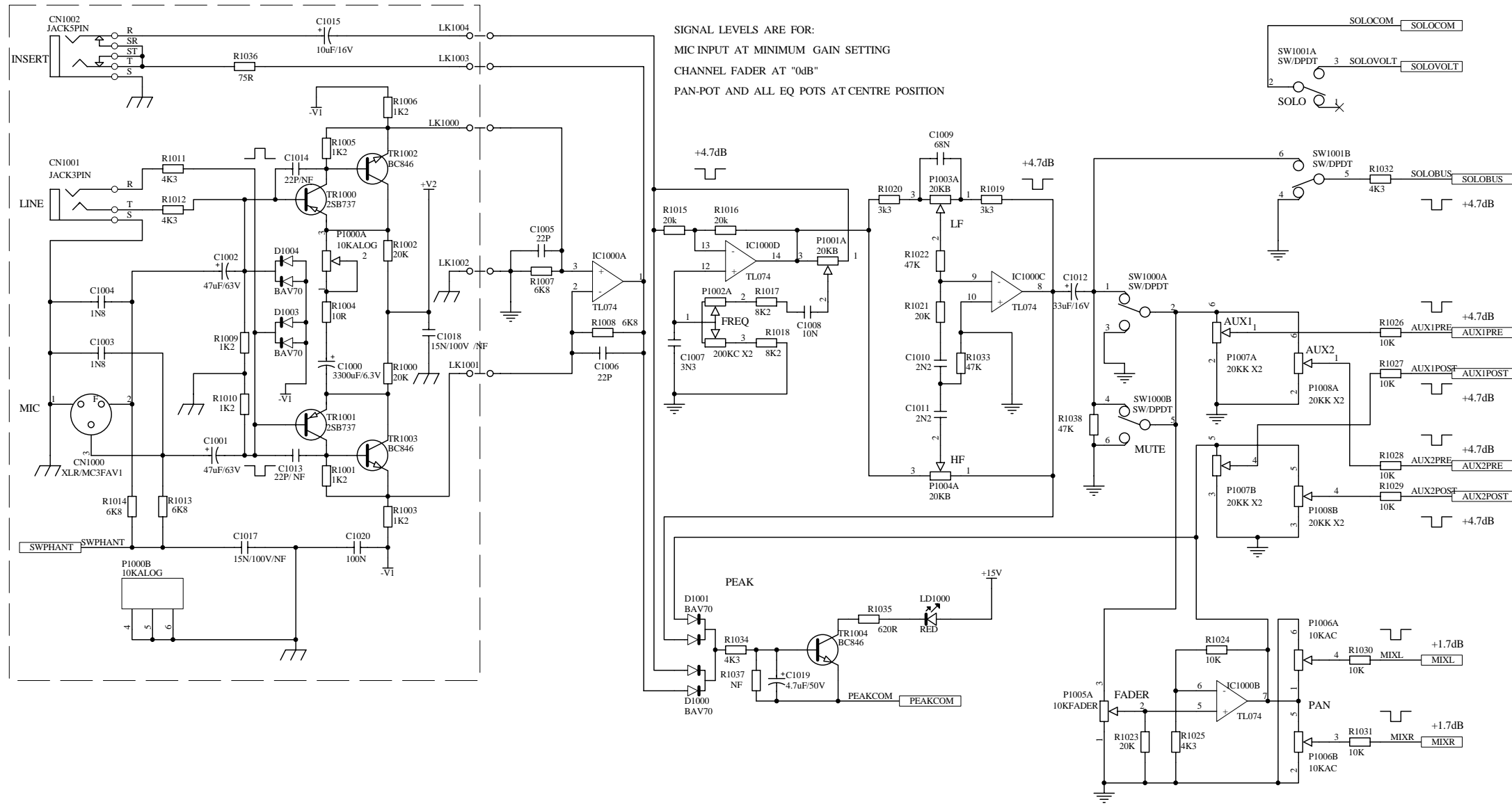
Prepared by: Checked by:

Date: Date:

Approved by:

Date:

PARTS ENCLOSED BY DOTTED LINE  
ARE ON THE TOP BREAK-OFF SECTION

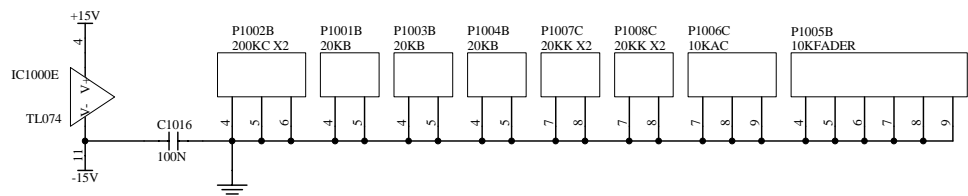


SIGNAL LEVELS ARE FOR:  
MIC INPUT AT MINIMUM GAIN SETTING  
CHANNEL FADER AT "0dB"  
PAN-POT AND ALL EQ POTS AT CENTRE POSITION

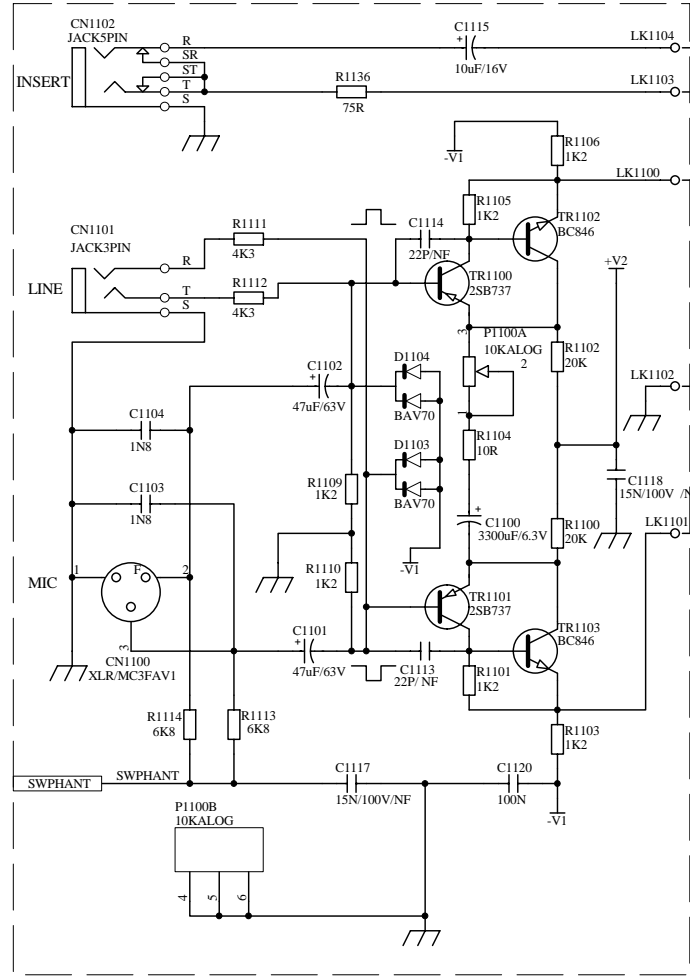
REVISION	DATE	REVISION DESCRIPTION
	17-Feb-2006	

TITLE: EPM8 MIXER

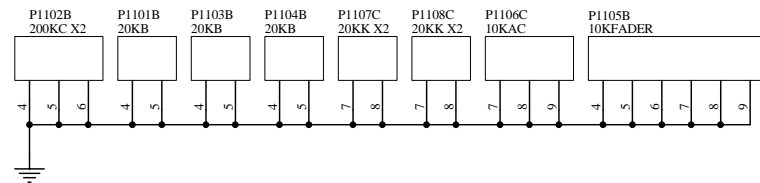
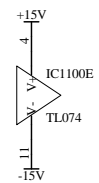
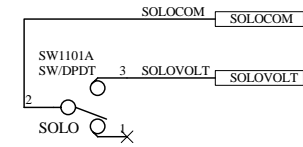
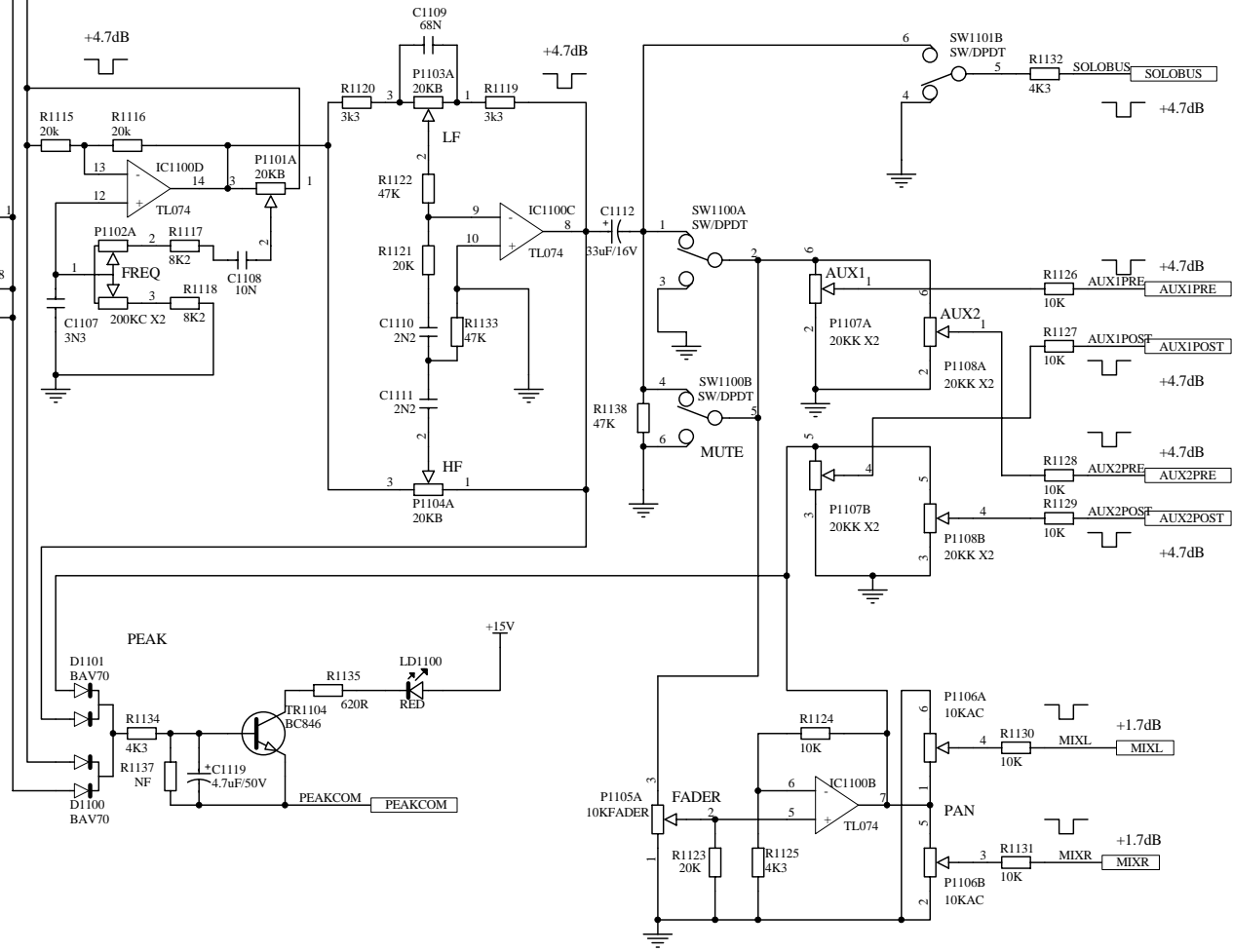
SHEET: Sheet-A3 7 OF 13	
Model Name:	
@Part No:	
Part No:	
BM File Name:	Scale:
Prepared by:	Checked by:
Date:	Date:
Approved by:	
Date:	



PARTS ENCLOSED BY DOTTED LINE  
ARE ON THE TOP BREAK-OFF SECTION



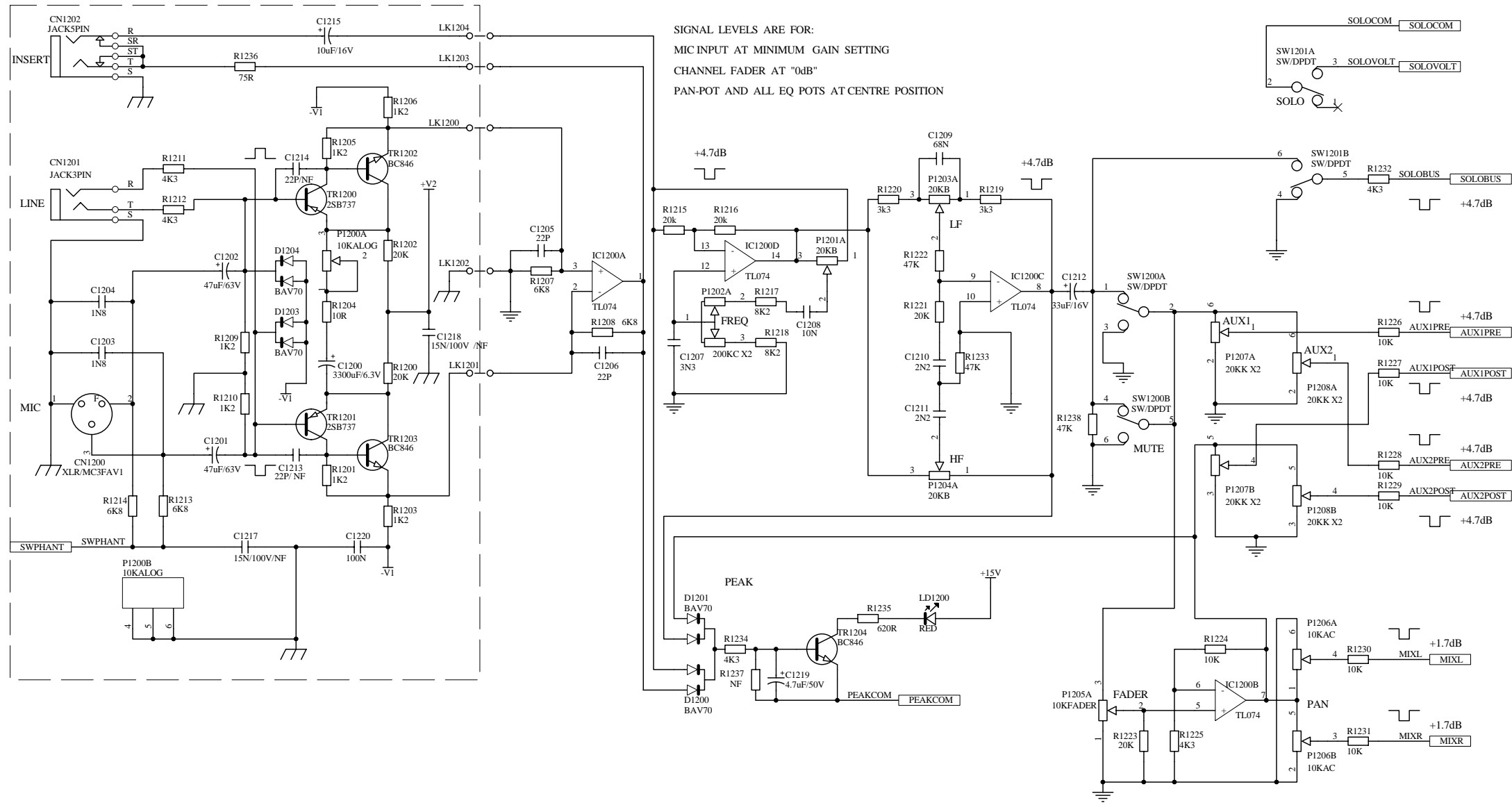
SIGNAL LEVELS ARE FOR:  
MIC INPUT AT MINIMUM GAIN SETTING  
CHANNEL FADER AT "0dB"  
PAN-POT AND ALL EQ POTS AT CENTRE POSITION



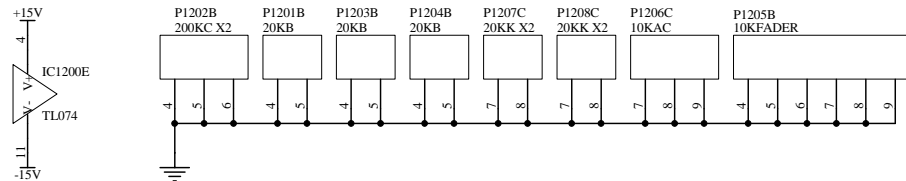
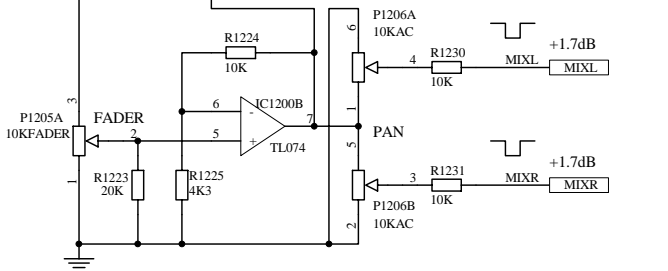
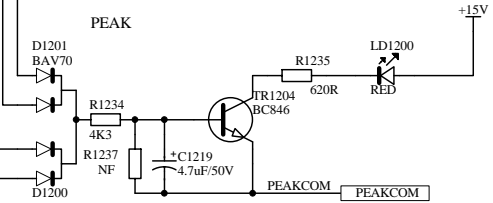
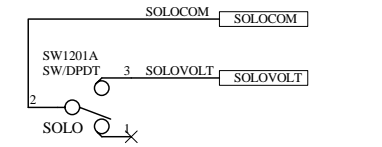
	17-Feb-2006	
REVISION	DATE	REVISION DESCRIPTION
<b>TITLE: EPM8 MIXER</b>		
SHEET: Sheet-A1		8 OF 13
Model Name:		
@Part No:		
Part No:		
BM File Name:	Scale:	
Prepared by:	Checked by:	
Date:	Date:	
Approved by:		
Date:		



PARTS ENCLOSED BY DOTTED LINE  
ARE ON THE TOP BREAK-OFF SECTION



SIGNAL LEVELS ARE FOR:  
MIC INPUT AT MINIMUM GAIN SETTING  
CHANNEL FADER AT "0dB"  
PAN-POT AND ALL EQ POTS AT CENTRE POSITION



REVISION	DATE	REVISION DESCRIPTION
	17-Feb-2006	

**TITLE: EPM8 MIXER**

SHEET: Sheet-A 9 OF 13

Model Name:

@Part No:

Part No:

BM File Name: Scale:

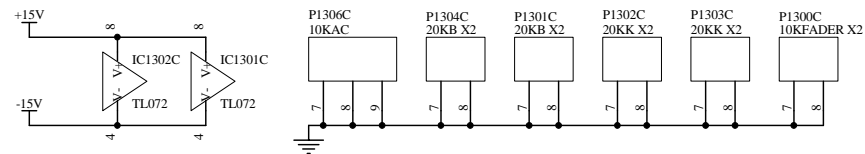
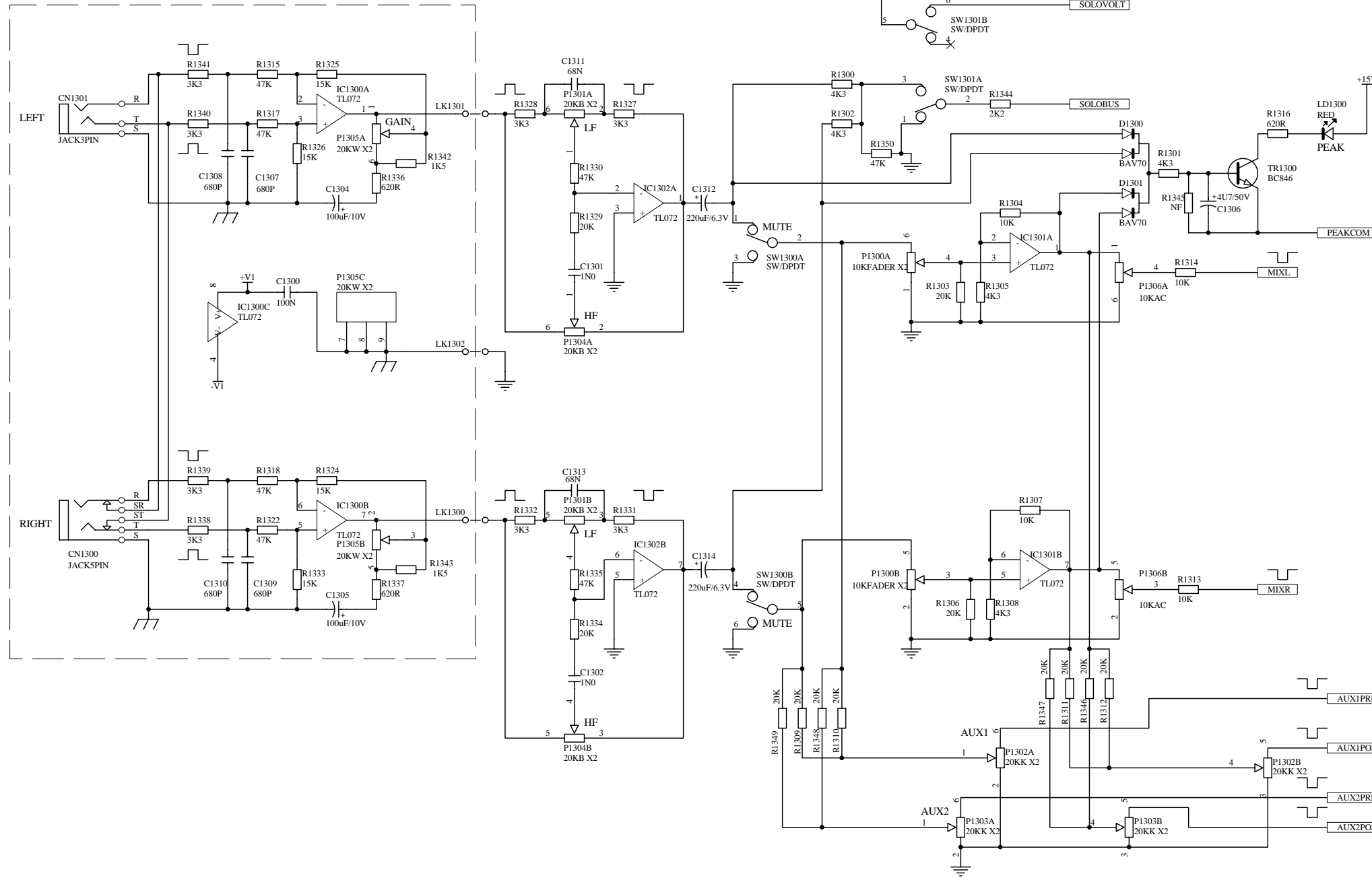
Prepared by: Checked by:

Date: Date:

Approved by:

Date:

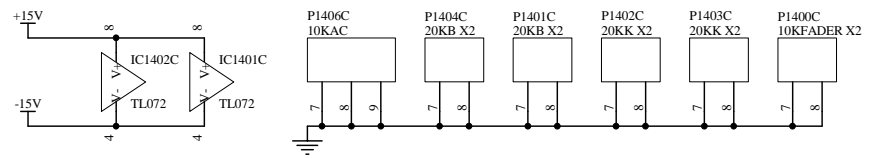
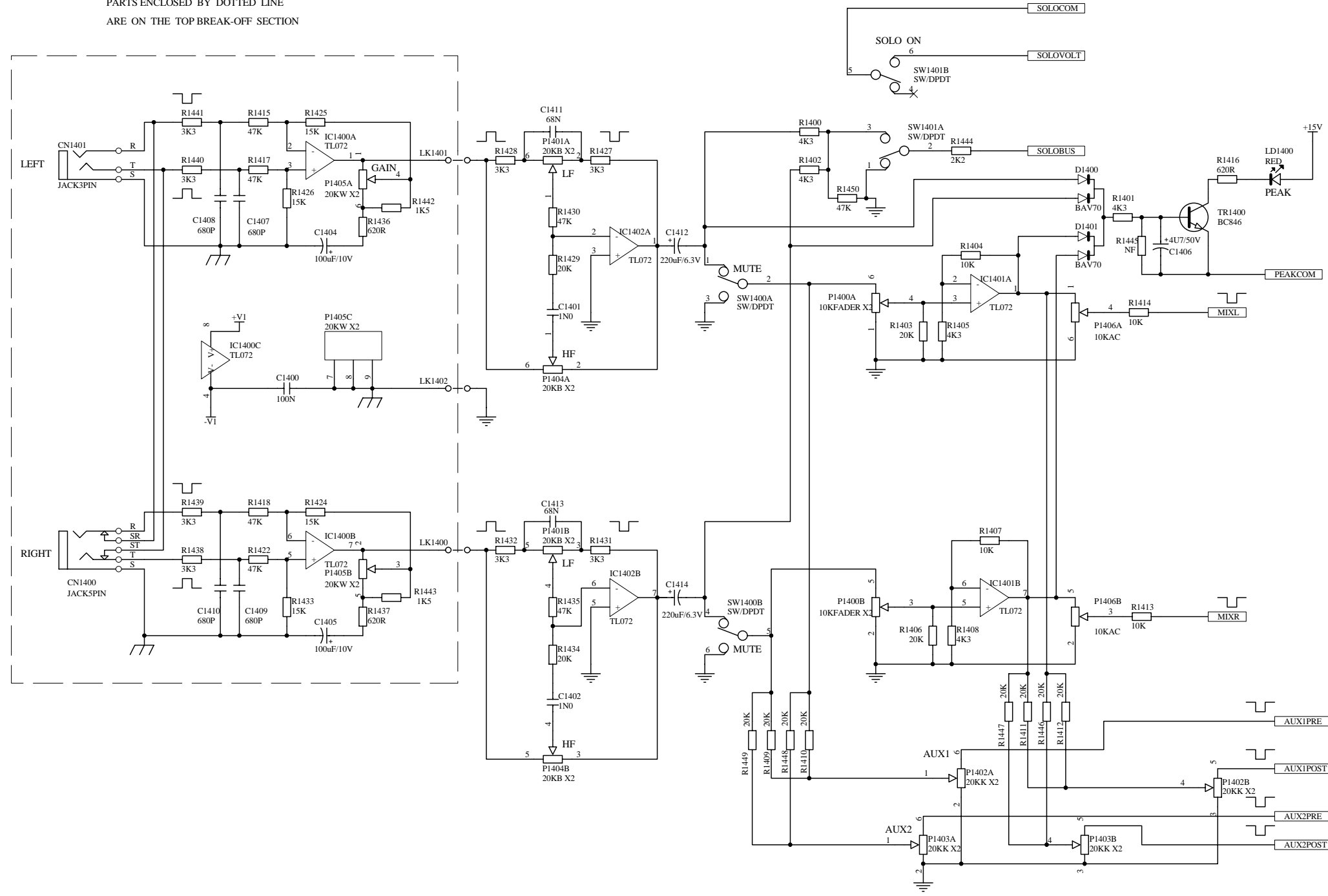
PARTS ENCLOSED BY DOTTED LINE  
ARE ON THE TOP BREAK-OFF SECTION



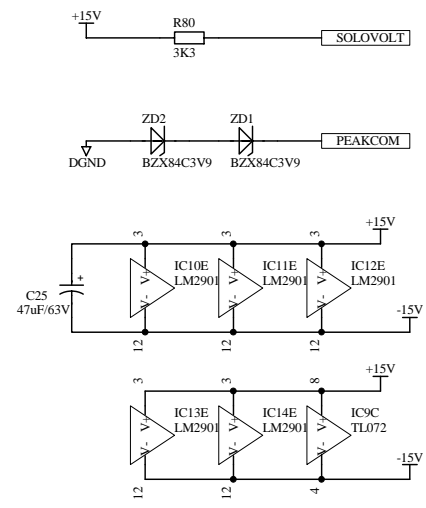
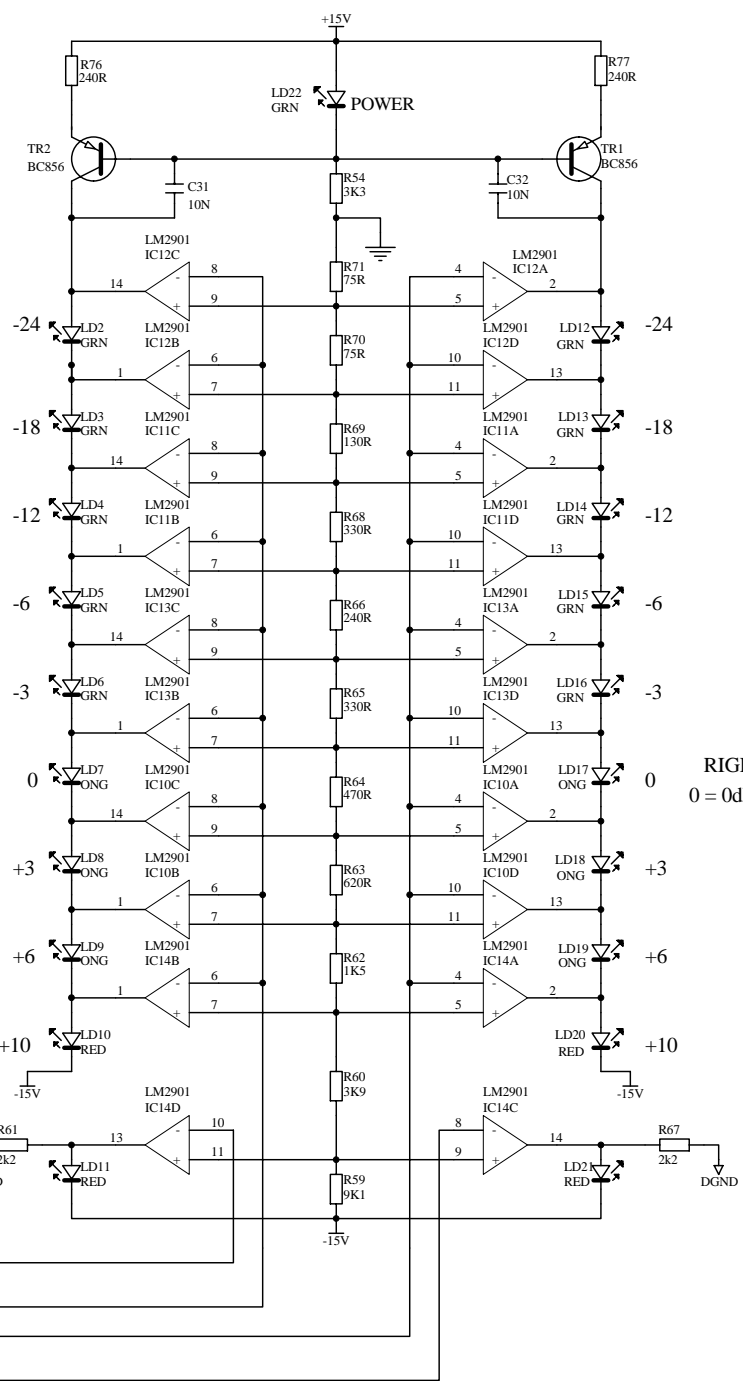
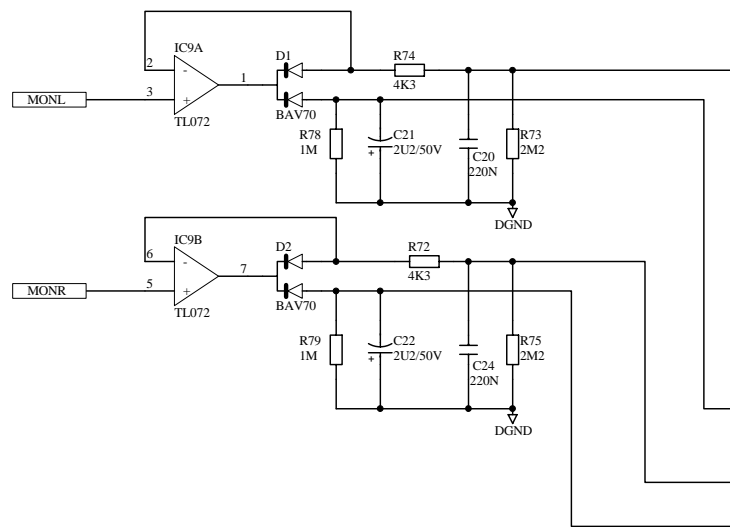
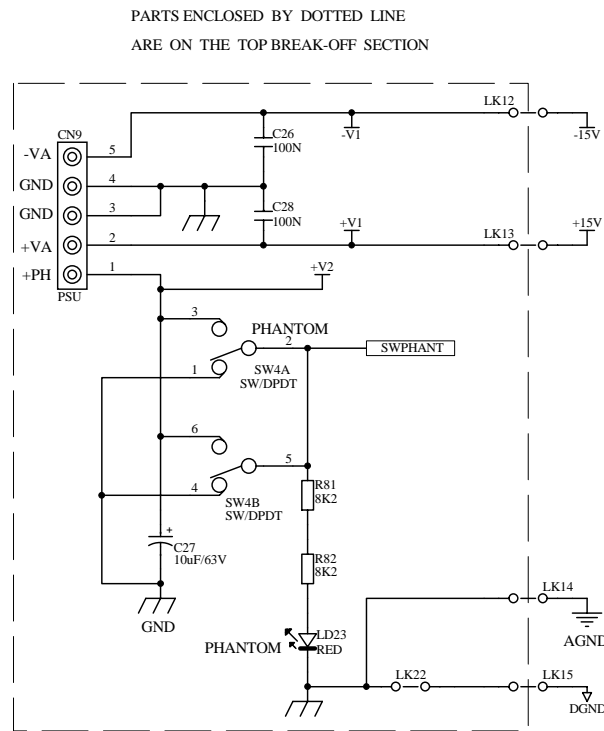
REVISION	DATE	REVISION DESCRIPTION
	17-Feb-2006	

<b>TITLE: EPM8 MIXER</b>	
SHEET: Sheet-C2	10 OF 13
Model Name:	
@Part No:	
Part No:	
BM File Name:	Scale:
Prepared by:	Checked by:
Date:	Date:
Approved by:	
Date:	

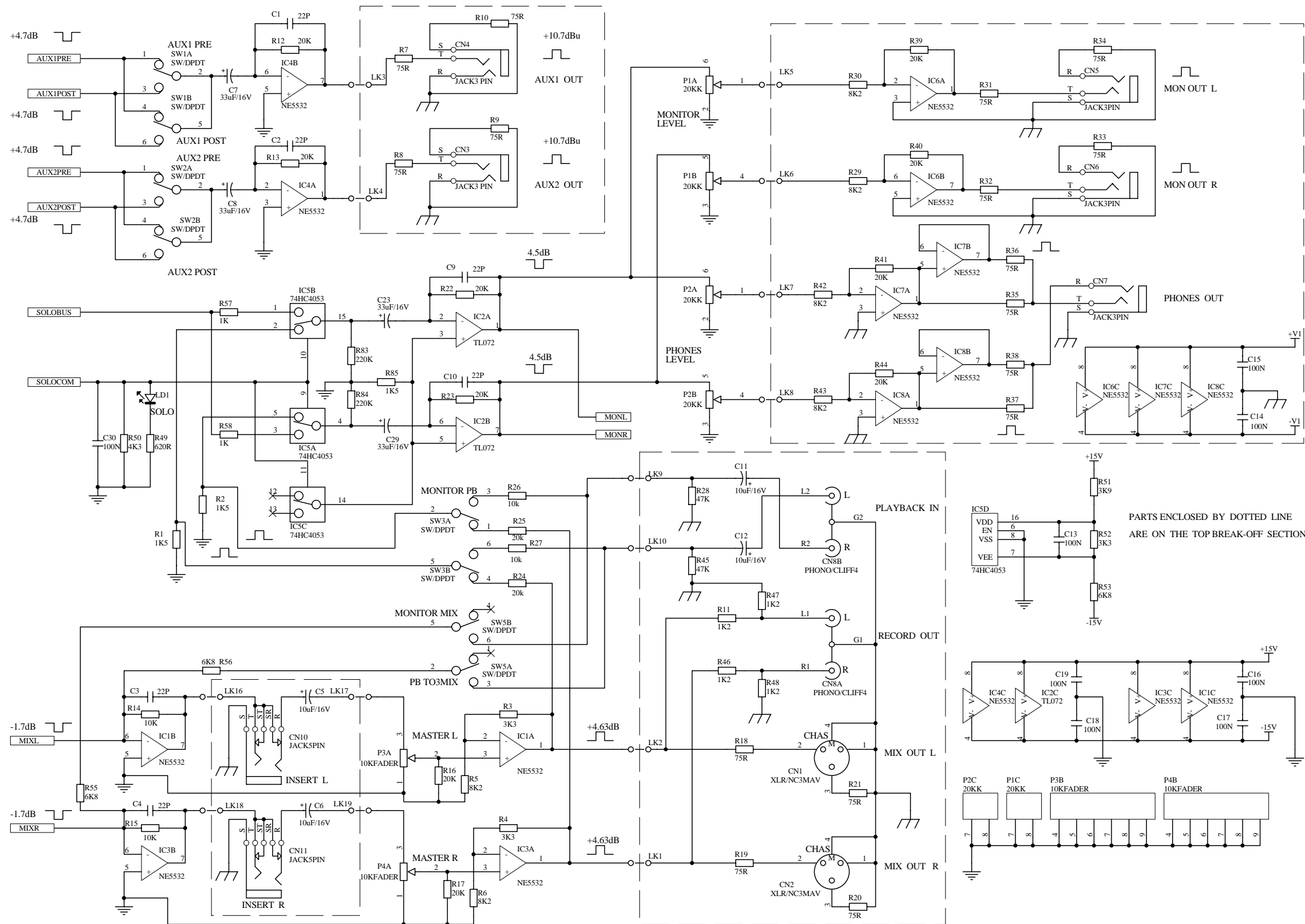
PARTS ENCLOSED BY DOTTED LINE  
ARE ON THE TOP BREAK-OFF SECTION



	17-Feb-2006	
REVISION	DATE	REVISION DESCRIPTION
TITLE: EPM8 MIXER		
SHEET: Sheet-C		11 OF 13
Model Name:		
@Part No:		
Part No:		
BM File Name:	Scale:	
Prepared by:	Checked by:	
Date:	Date:	
Approved by:		
Date:		



	17-Feb-2006	
REVISION	DATE	REVISION DESCRIPTION
TITLE: EPM8 MIXER		
SHEET: Sheet-B 12 OF 13		
Model Name:		
@Part No:		
Part No:		
BM File Name:	Scale:	
Prepared by:	Checked by:	
Date:	Date:	
Approved by:	Date:	



PARTS ENCLOSED BY DOTTED LINE ARE ON THE TOP BREAK-OFF SECTION

REVISION	DATE	REVISION DESCRIPTION

<b>TITLE: EPM8 MIXER</b>	
SHEET: Sheet-D	13 OF 13
Model Name:	
@Part No:	
Part No:	
BM File Name:	Scale:
Prepared by:	Checked by:
Date:	Date:
Approved by:	Date:

17-Feb-2006