

Technical Manual



JBL EON618S/230

SPECIFICATIONS

ACOUSTIC & ELECTRICAL SPECIFICATIONS:

- Frequency Response (± 3 dB): 42.5 Hz – 150 Hz
- Frequency Range (-10 dB): 31 Hz – 150 Hz
- Maximum SPL: 134 dB peak
- Input Impedance: 22K Ohms (balanced)
- Crossover Frequency:
 - Internal: 90 Hz DSP Controlled 48 dB/octave
 - loop out: 120 Hz Analog 24 dB/Octave

SYSTEM COMPONENTS:

- Cabinet: Enclosure (Not For Sale)
- Grille: 5055619
- Low Frequency Driver: 2278H, 18 inch woofer
- D.C. Resistance: 5.3 ohm +/- 10%

AURAL SWEEP TEST SPECIFICATIONS:

- A. System.Aural Sweep Test: 0.15V Input, 50 Hz Ito 20 kHz Knob Fully CW.Line In and Main
- B. L.F.Aural Sweep Test: 15V Input, 10 Hz to 100 Hz

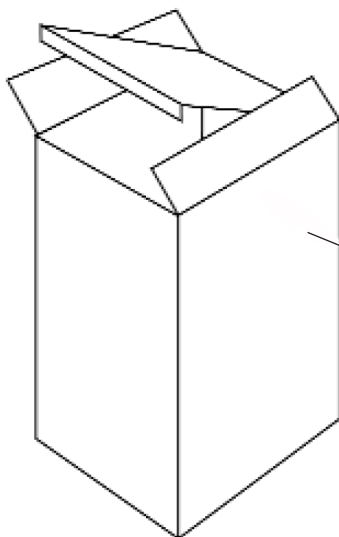
PHYSICAL SPECIFICATIONS:

- Enclosure Dimensions: (HxWxD) 690.372 x 523.24 x 723.9 mm D (27.18 x 20.6 x 28.5 in.D)
- Net Weight: 81 lb (36.8 kg)

WARRANTY INFORMATION:

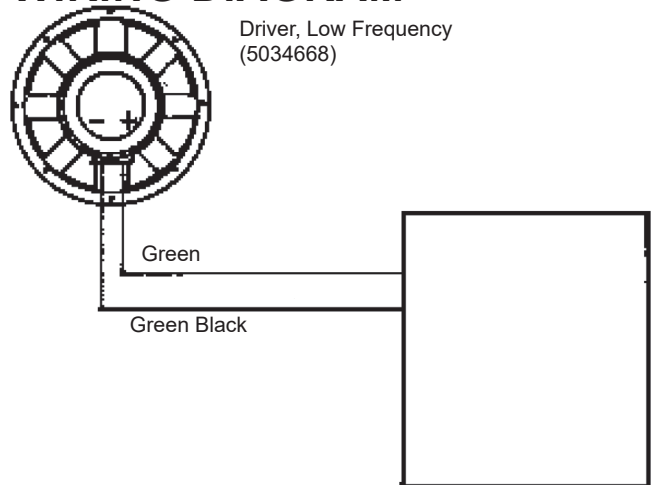
- Refer to Warranty Statement packed with each product.

PACKAGE



- Warranty Card 59660
- User's Guide 5060188
- Carton 5060175
- Filler 5060176
- PKG, Microfoam (8) 49790P
- Cord, AC, Line 425-00000-00 (120V)
- 425-00000-01 (230V)

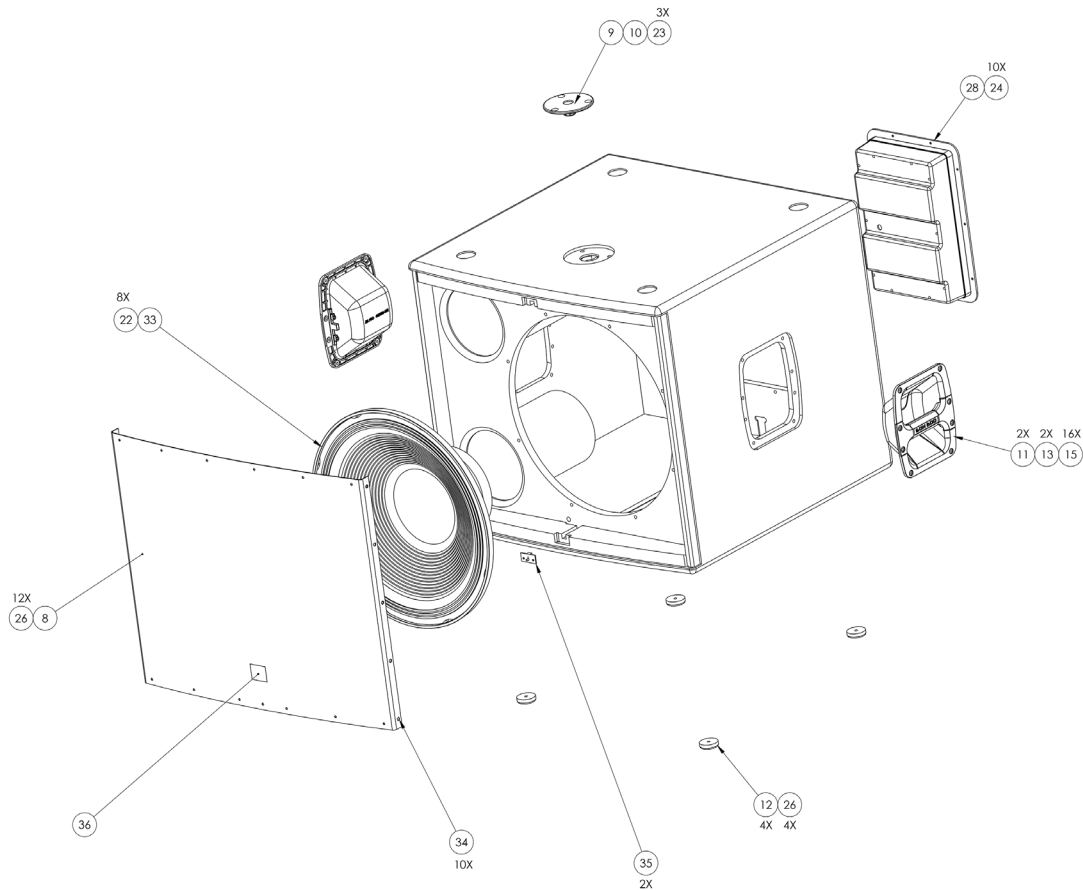
WIRING DIAGRAM



JBL EON618S/230 REVA

JBL EON618S/230

COMPONENT EXPLODED VIEW



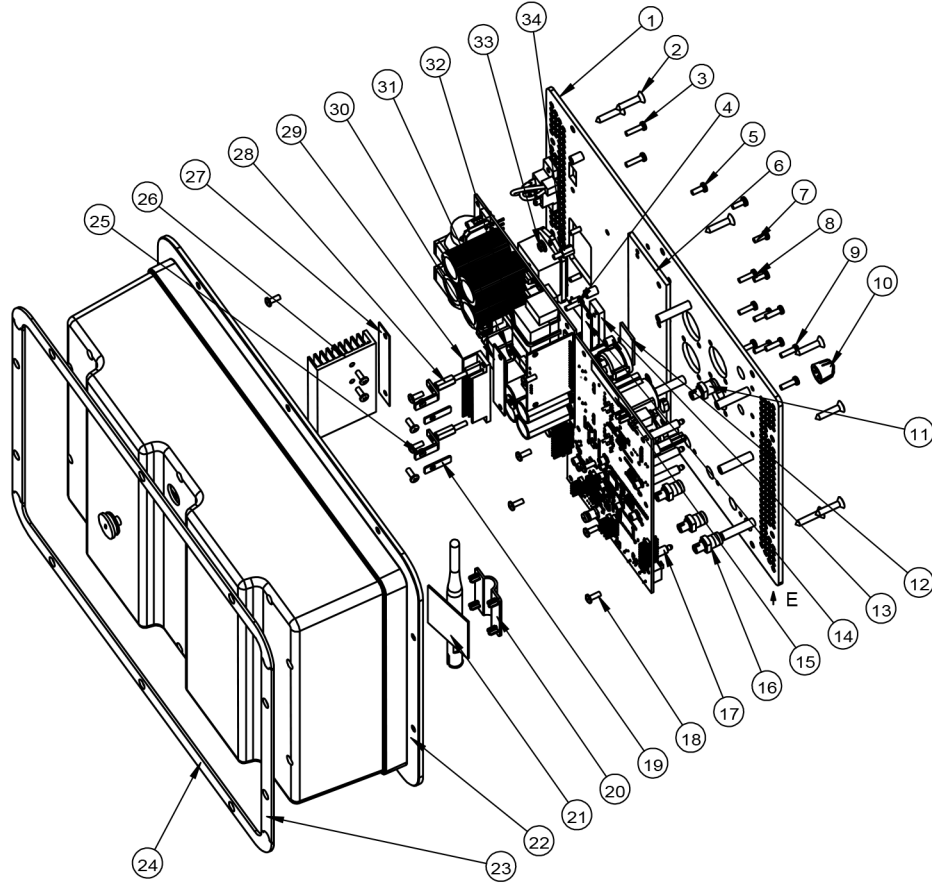
COMPONENT PARTS LIST:

Part No.	Description
8	5060187 1 GRILLE, EON618S
9	5003856 1 POLE MOUNT, M20 3 HOLE PATTERN
10	364808-001 1 GASKET, POLE CUP
11	5059333 2 HANDLE ASSY
12	353445-001 4 FOOT
13	445327-001 2 GASKET, HANDLE
15	446376-001 16 SCREW, #8-32, HANDLE
22	804-01110-20 8 SCR,10-32X1-1/4,FIL,PH,BK
23	806-11010-12 3 SCR,1/4-20 X 3/4,FLT,PH,UNC,BLK ZNC
24	814-11310-20 10 SCR,M4X20MM,FLAT,PHIL,BLK ZINC, LCS
26	883-41110-12 16 SCR,8 X 3/4,PAN,PH,PB,BLK ZINC,LCS
28	5056859 1 AMP ASSY, EON618S
33	5034668 1 18" WOOFER
34	883-11110-12 10 SCR,8 X 3/4,FLT,PH,PB,BLK ZC,LCS
35	5026110 2 STS,STL,D2.6X9,P+/AB WSH,NI
37	5061764 1 QUICK GUIDE, EON618S
52	5056661 1 LOGO

Part No.	Description
53	5060175 1 CARTON, EON618S
54	5060176 2 FILLER, EON618S
55	49790P 8 MICROFOAM 1/32X18X20
56	425-00000-00 1 CORD, AC, LINE, 120V
16	61860 16 T-NUT 8-32X11/32
21	61861 8 T-NUT,10-32
25	5059088 10 T-NUT, M4
27	804-90003-00 3 T-NUT, 1/4-20 X 5/16, 4 PRONG, CLR ZINC

JBL EON618S/230

AMP EXPLODED VIEW: 5056859



COMPONENT PARTS LIST:

Item	Part No.	Qty	Description	Ref.Des.
1	5054669	1	KNOB, G4- BUTTON EON615	
2	554670	4	KNOB, G4 BUTTON EON615	
3	5054671	1	KNOB, EON615	
10	5054573	1	IEC, AC JACK INLET/SWITCH EON615	
11	5054670	1	BUTTON, POWER, OFF/ON	
17	5054679	6	LED, SPACER NYLON EON615	

Item	Part No.	Qty	Description	Ref.Des.