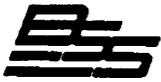

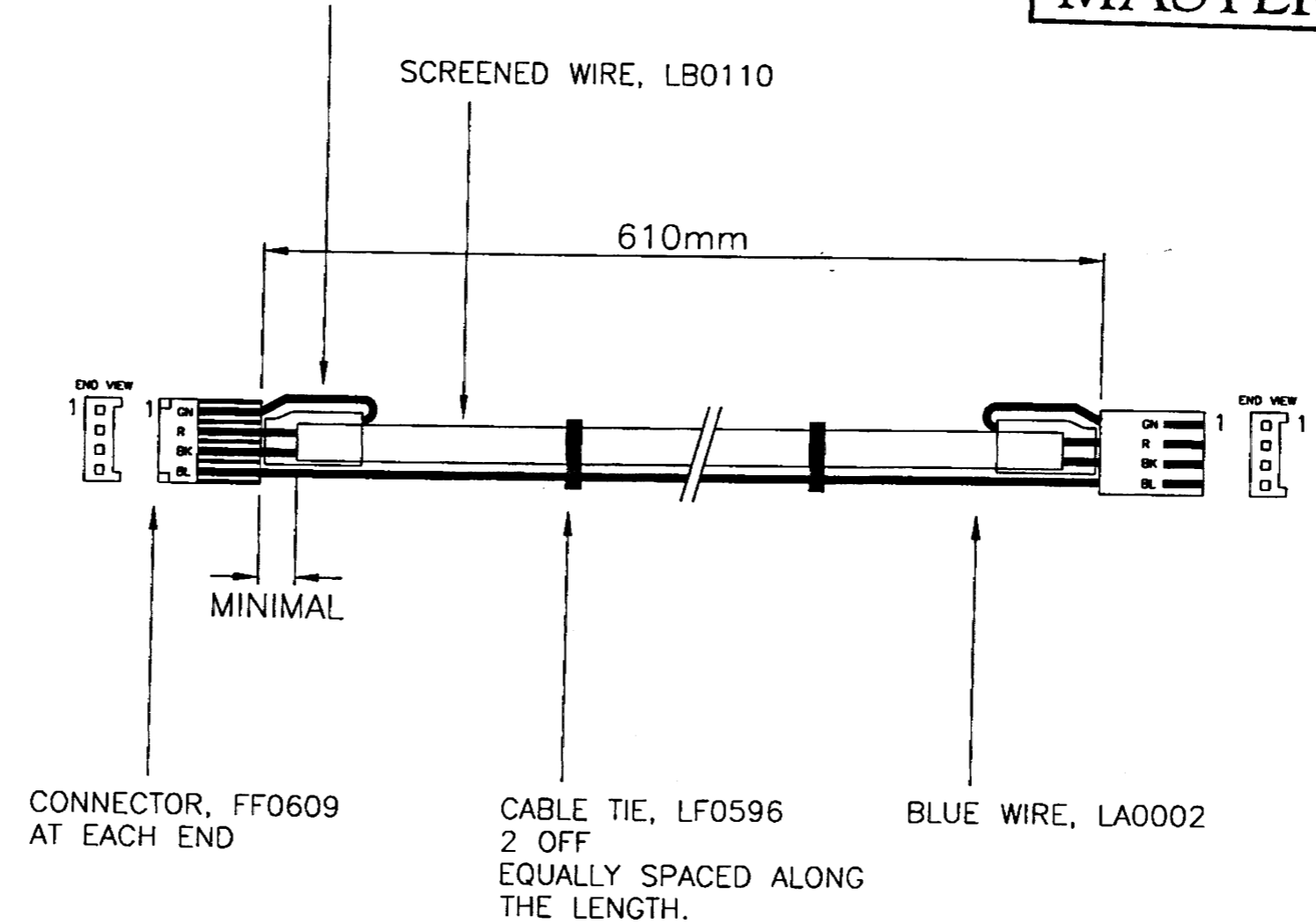


DRAWING NUMBER L-B260A-01	
STOCK REF L-B260A-01	
	CRANBORNE HOUSE CRANBORNE ROAD POTTERS BAR HERTS EN9 3JN ENGLAND Phone 01707 600667 Fax 01707 600756
BSS Audio.	
TITLE B2 DSP BOARD TO INPUT BOARD CABLE ASSEMBLY	
FILENAME	L-B260A-01
DRAWN	PB
DATE	8-12-99
CHECKED	
MATERIAL:	
FINISH:	
DETAILS	
ISSUE COMMENTS (REF. ONLY) 1. PRE-PRODUCTION RELEASE 8/12/99	
<small>ALL DIMENSIONS ARE IN mm. DIMENSION PRECEDENCE: DIMENSION TO 2 DECIMAL PLACES IS 0.01mm DIMENSION TO 1 DECIMAL PLACE IS 0.1mm</small>	
<small>THIS DRAWING IS THE COPYRIGHT OF BSS AUDIO. ALL REPRODUCTIONS AND COPIES, WHOLE OR PART FOR UNLICENSED MANUFACTURE AND EXPORT, USE, OR DISCLOSURE OF THIS OR WHOLE OR PART HEREOF WITHOUT WRITTEN PERMISSION IS IN VIOLATION OF THE COPYRIGHT. © BSS Audio, 1999</small>	

DO NOT SCALE

BSS AUDIO LTD
MASTER

GREEN WIRE, LA0004 SOLDERED TO THE SCREEN
THEN COVERED WITH SLEEVE, LF0512 AT EACH END.



REMOVE ALL BURRS & SHARP EDGES

PART / DRG. NUMBER
H-C260A-02

TITLE.
**B2 SWITCH MODE
POWER SUPPLY TRANSFORMER**
Sheet 1 of 1

MATERIAL.
SEE SPECIFICATION

FINISH.
SEE SPECIFICATION

DETAILS.

MANUFACTURER:
CARNHILL
PART REF. : CH2360

ISSUE COMMENTS. (FOR REFERENCE ONLY)

1. PRODUCTION RELEASE 13/9/99
2. ECN0364 3/8/00

FILENAME. H-C260A-02.DWG

DRAWN. JTS

DATE. 04.08.00

CHECKED.

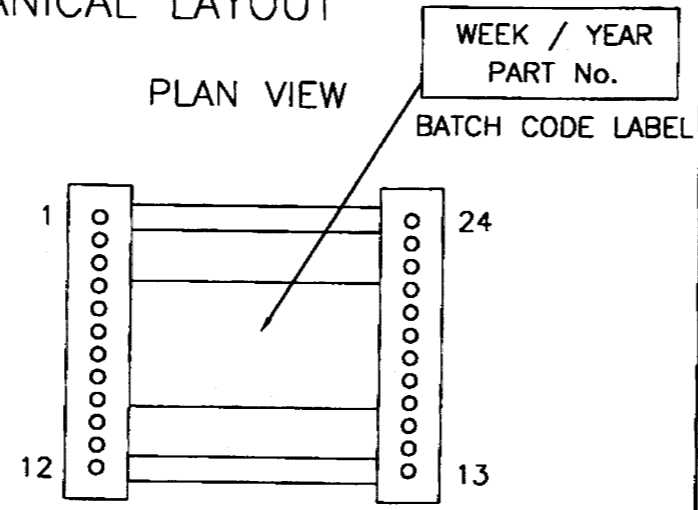
ALL DIMENSIONS ARE IN millimetres.
DIMENSION TOLERANCE,
DIMENSION TO 1 DECIMAL PLACE IS ±0.25mm
DIMENSION TO 2 DECIMAL PLACES IS ±0.15mm
ANGULAR TOLERANCE IS ±0.5°



audio Harman International Industries Ltd.
Cranborne House,
Cranborne Road,
Poole, Dorset,
Hants/Berkshire EN8 3JN
UK.
Tel. 01707 880887
Fax. 01707 880755

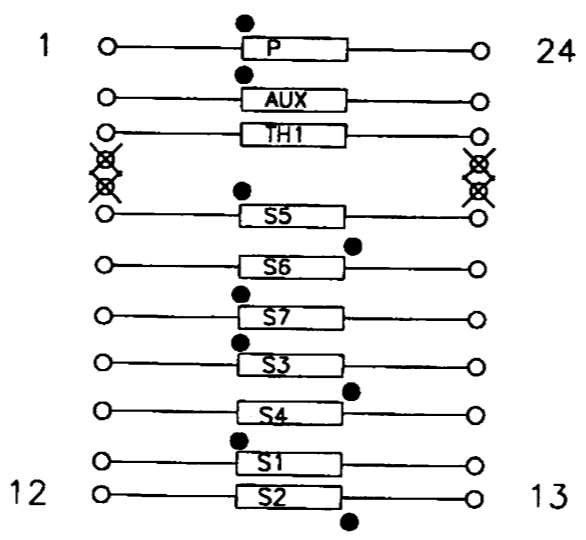
THIS DRAWING IS THE COPYRIGHT OF B&B AUDIO AND C-AUDIO. ALL REPRODUCTION AND COPIES, OTHER THAN THAT FOR LEGITIMATE MANUFACTURING OR INTERNAL USE, OR DISCLOSURE OF PART OR WHOLE TO A THIRD PARTY WITHOUT PRIOR WRITTEN AUTHORIZATION IS IN VIOLATION OF THE COPYRIGHT. © B&B AUDIO & C-AUDIO, 2002

MECHANICAL LAYOUT



**C-AUDIO
MASTER**

ELECTRICAL LAYOUT



DO NOT SCALE

GENERAL

ALL MATERIALS TO BE TO UL94V-0
FINISHED TRANSFORMER TO BE IEC CLASS
II INSULATION (SEE ELECTRICAL DETAILS)

- BOBBIN x1 PHILIPS ETD59 CPH-ETD59-1S-24P
- CLIP x2 PHILIPS ETD59 CLI-ETD59
- CORE x2 PHILIPS ETD59 ETD59-3C85

WINDING DETAILS

PRIMARY & MAJOR POWER SECONDARIES CENTRED BY LEAVING A 6mm UNSUPPORTED MARGIN ON EITHER SIDE.

- S1 : 7 TURNS 1mm.
- S2 : 7 TURNS 1mm.
- S3 : 2 TURNS 0.5mm.
- S4 : 2 TURNS 0.5mm.
- S5 : 2 TURNS 0.25mm.
- S6 : 2 TURNS 0.25mm.
- S7 : 2 TURNS 0.25mm.
- AUX : 2 TURNS 0.25mm TRIPLE INSULATED.
- P : 12 TURNS 1mm TRIPLE INSULATED.
- TH1 : 120°C NORMALLY CLOSED BIMETALLIC THERMAL SWITCH TAPED TO OUTSIDE TOP OF WINDINGS.



WINDING ORDER :
S5, S6, S7 FIRST (INSIDE OF WINDING) THEN S3, S4, THEN S1, S2.
2mm TAPE SHIELD TO REDUCE CAPACITANCE BETWEEN PRIMARY AND SECONDARY, THEN PRIMARY, THEN AUX.

ALL TURNS TO BE EXACT

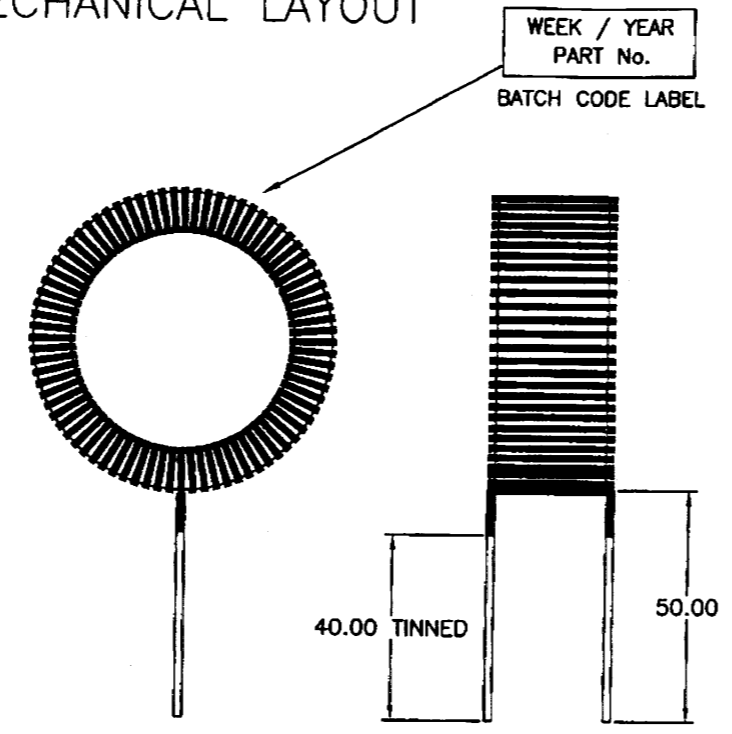
FINISH

- A. BOBBIN PINS 4, 5, 20, 21 TO BE REMOVED FLUSH WITH MOULDING.
- B. COMPLETED TRANSFORMER TO BE IMMERSION DIPPED IN VARNISH. ENSURE PINS FREE FROM VARNISH.
- C. IDENTIFY PIN 1.
- D. LEADS TO BE DRESSED SO AS NOT TO PROTRUDE BELOW MOULDING.
- E. REMOVE SCREW MOUNTING CORNER POSTS FROM TRANSFORMER BEFORE WINDING.
- F. ELEPHANTIDE / MELENEX 12 LAYERS BETWEEN P1, AUX AND ALL OTHER WINDINGS.

REMOVE ALL BURRS & SHARP EDGES

PART / DRG. NUMBER H-C260C-01	
TITLE. JBL B2 POWER AMPLIFIER INDUCTOR <small>Sheet 1 of 1</small>	
MATERIAL. SEE SPECIFICATION	
FINISH. SEE SPECIFICATION	
DETAILS. MANUFACTURER: CARNHILL PART REF. :	
ISSUE COMMENTS. (FOR REFERENCE ONLY)	
FILENAME. H-C260C-01.DWG	
DRAWN. JCET	
DATE. 04.02.00	
CHECKED.	
<small>ALL DIMENSIONS ARE IN millimetres. DIMENSION TOLERANCE. DIMENSION TO 1 DECIMAL PLACES IS ±0.25mm DIMENSION TO 2 DECIMAL PLACES IS ±0.1mm ANGULAR TOLERANCE IS ±0.5°.</small>	<small>THIRD ANGLE</small> 
	<small>Herman International Industries Ltd. Cranborne House, Cranborne Road, Pulham St. Hartfordshire EN9 3JN UK. Tel. 01707 880687 Fax. 01707 880755</small>
<small>THIS DRAWING IS THE COPYRIGHT OF BSS AUDIO AND C-ALOID. ALL REPRODUCTION AND COPYING OTHER THAN THAT FOR LICENSED MANUFACTURERS OWN INTERNAL USE OR DISCLOSURE OF PART OR WHOLE TO A THIRD PARTY WITHOUT PRIOR WRITTEN AUTHORIZATION IS IN VIOLATION OF THE COPYRIGHT. ©BSS AUDIO & C-ALOID, 2000.</small>	

MECHANICAL LAYOUT



DO NOT SCALE

GENERAL

ALL MATERIALS TO BE TO UL94V-0
CORE MATERIAL : MICROMETALS T157-2

WINDING DETAILS

84 TURNS 1.00mm 150 deg ENAMEL COPPER WIRE
NOMINAL INDUCTANCE : 100 uH

ALL TURNS TO BE EXACT

FINISH

- 1. EXTERNAL LEAD LENGTH 50mm TINNED TO 40mm

ELECTRICAL LAYOUT



NO WINDING POLARITY

**BSS AUDIO LTD
MASTER**

REMOVE ALL BURRS & SHARP EDGES

DRAWING NUMBER ISSUE

S-C260A-03

C audio
 CRANBORNE HOUSE
 CRANBORNE ROAD
 CRANBORNE IND ESTATE
 POTTERS BAR
 HERTS
 EN6 3JN
 Tel 01707 660667
 Fax 01707 660755

TITLE: 260 AMPLIFIER BOARD

SHT 1 OF 1

FILENAME: S-C260A-03.LAY

DRAWN: BV

DATE: 24-08-99

CHECKED: PT 05/09/00

MATERIALS:

FINISH:

ALL DIMENSIONS IN mm

ISSUE COMMENTS:

1. PRE-PRODUCTION RELEASE 20-12-99
2. PRODUCTION RELEASE 21/07/00
3. ECN0366 4/9/00

MANUFACTURING NOTES:

MATERIAL :
 1.6mm +/- 0.2 THK GLASS FIBRE
 2oz CU DOUBLE SIDED
 FLAMMABILITY RATING TO 94-V0

- FINISH:
1. PCB TO BE HOT AIR SOLDER LEVELLED
 2. SOLDER RESIST BOTH SIDES IN GREEN PHOTOMAGABLE
 3. LEGEND ON COMPONENT SIDE IN WHITE

- DRILLING:
1. SEE DRILL TABLE FOR HOLE SIZES & PLATING INFO.
 HOLE SIZES SPECIFIED ARE FINISHED SIZES
 HOLE TOL. +0.15/ -0

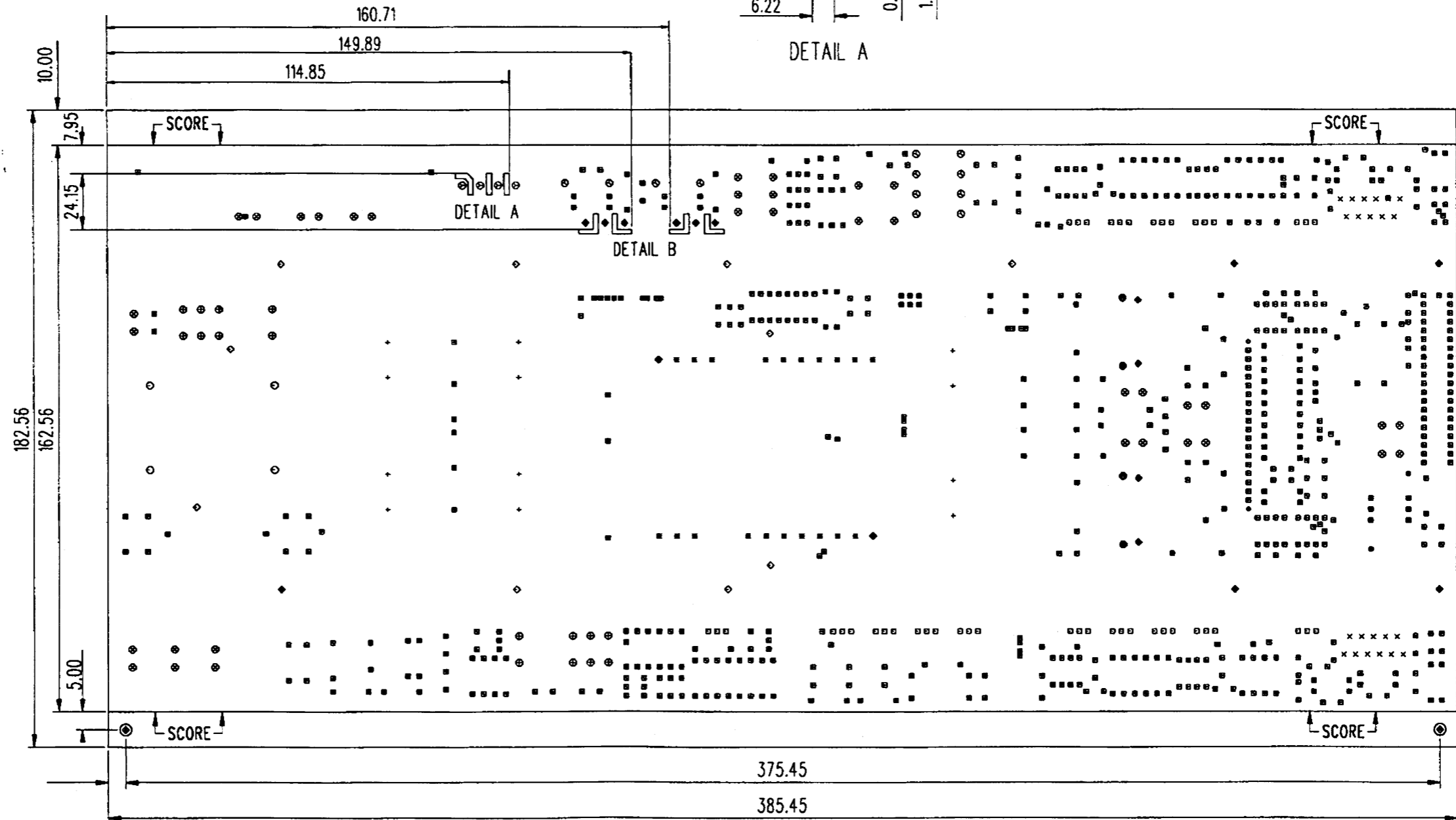
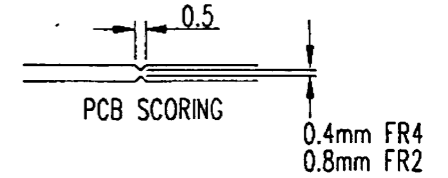
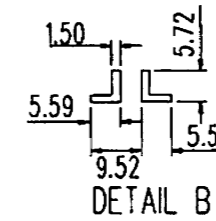
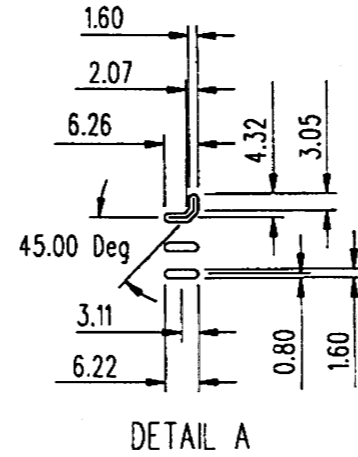
TRACKING:
 MINIMUM TRACK WIDTH 0.015"
 MINIMUM TRACK SPACING 0.010"

TESTING:
 DOUBLE SIDED BARE BOARD TEST

NOTES:
 TOL. +/- 0.4mm UNLESS STATED OTHERWISE
 DIMENSIONS IN MM UNLESS STATED OTHERWISE

2oz CU

SIZE	CON	QTY	SYM
0.762	Yes	45	■
0.7874	Yes	2	●
0.9398	Yes	6	■
0.95	Yes	101	■
0.95	Yes	275	■
1	Yes	6	■
1.1	Yes	206	■
1.1938	Yes	45	■
1.2	Yes	4	○
1.2	Yes	16	○
1.3	Yes	36	○
1.5	Yes	4	○
1.524	Yes	12	○
1.6002	Yes	4	○
1.651	Yes	2	○
1.8	Yes	17	+
1.8034	Yes	22	x
2	Yes	70	■
2.25	Yes	6	■
3.5	Yes	2	■
4.5212	Yes	5	■
3.1	No	2	◆
3.5052	No	4	◆
4.5212	No	10	◆



**C-AUDIO
 MASTER**

DRAWING NUMBER ISSUE

S-C260AS-03

HARMAN INTERNATIONAL
INDUSTRIES LIMITED
CRANBORNE HOUSE
CRANBORNE ROAD
POTTERS BAR
HERTS
EN6 3JN
Tel 01707 660667
Fax 01707 660755

TITLE: HF AMPLIFIER

SHEET 3

FILENAME: S-C260AS-03.SCH

DRAWN: BPV

DATE: 05/07/99

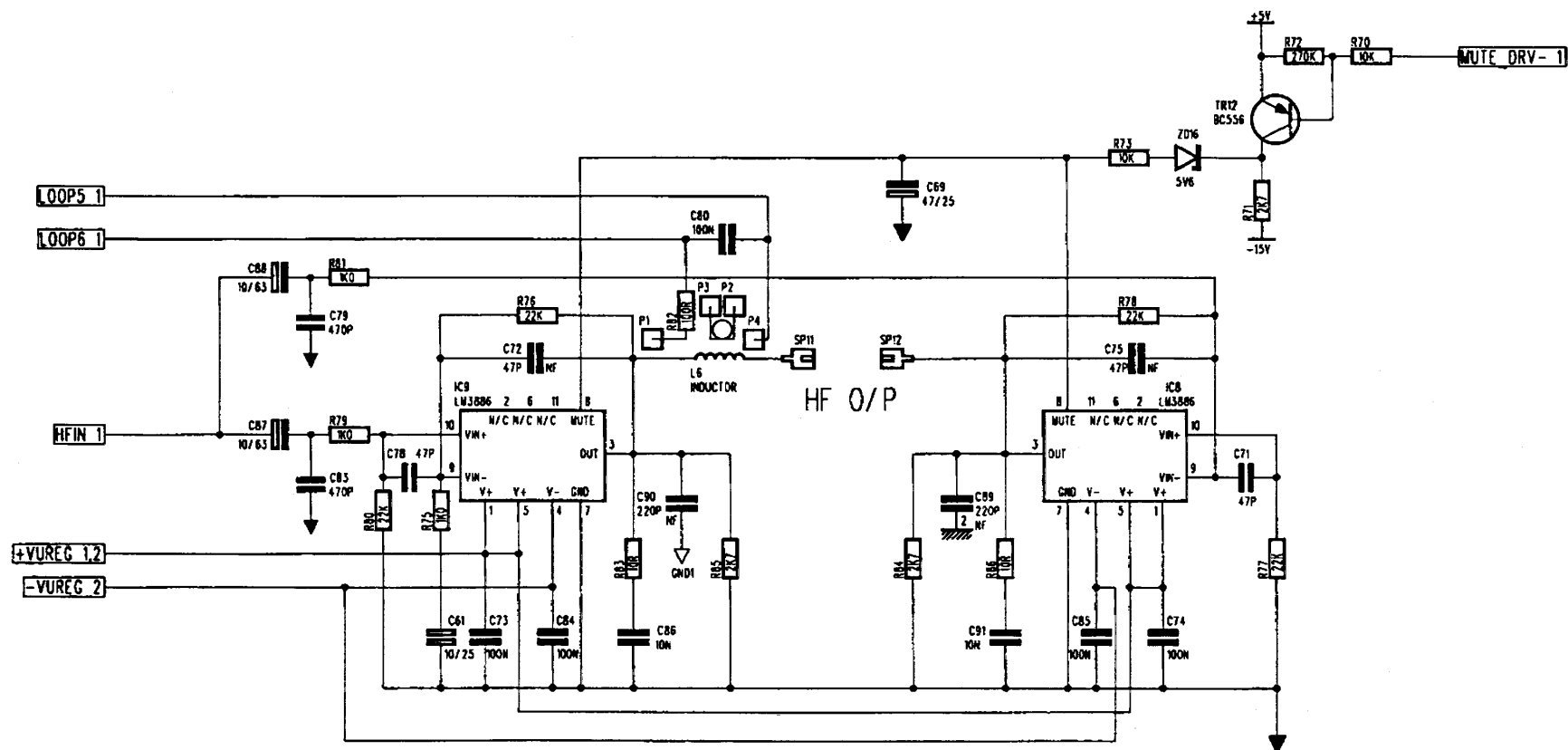
CHECKED: *BPV*

MATERIAL:

FINISH:

ISSUE COMMENTS:

- 1. PRE-PRODUCTION RELEASE 08/12/99
- 2. PRODUCTION RELEASE 21/07/00
- 3. ECN0366 05/09/00



C-AUDIO
MASTER