



DRAWING NUMBER ISSUE

S-C260AS-03



TITLE: PWM AMPLIFIER

SHEET 1 FILENAME: S-C260AS-03.SCH

DRAWN: BPV

DATE: 05/07/99

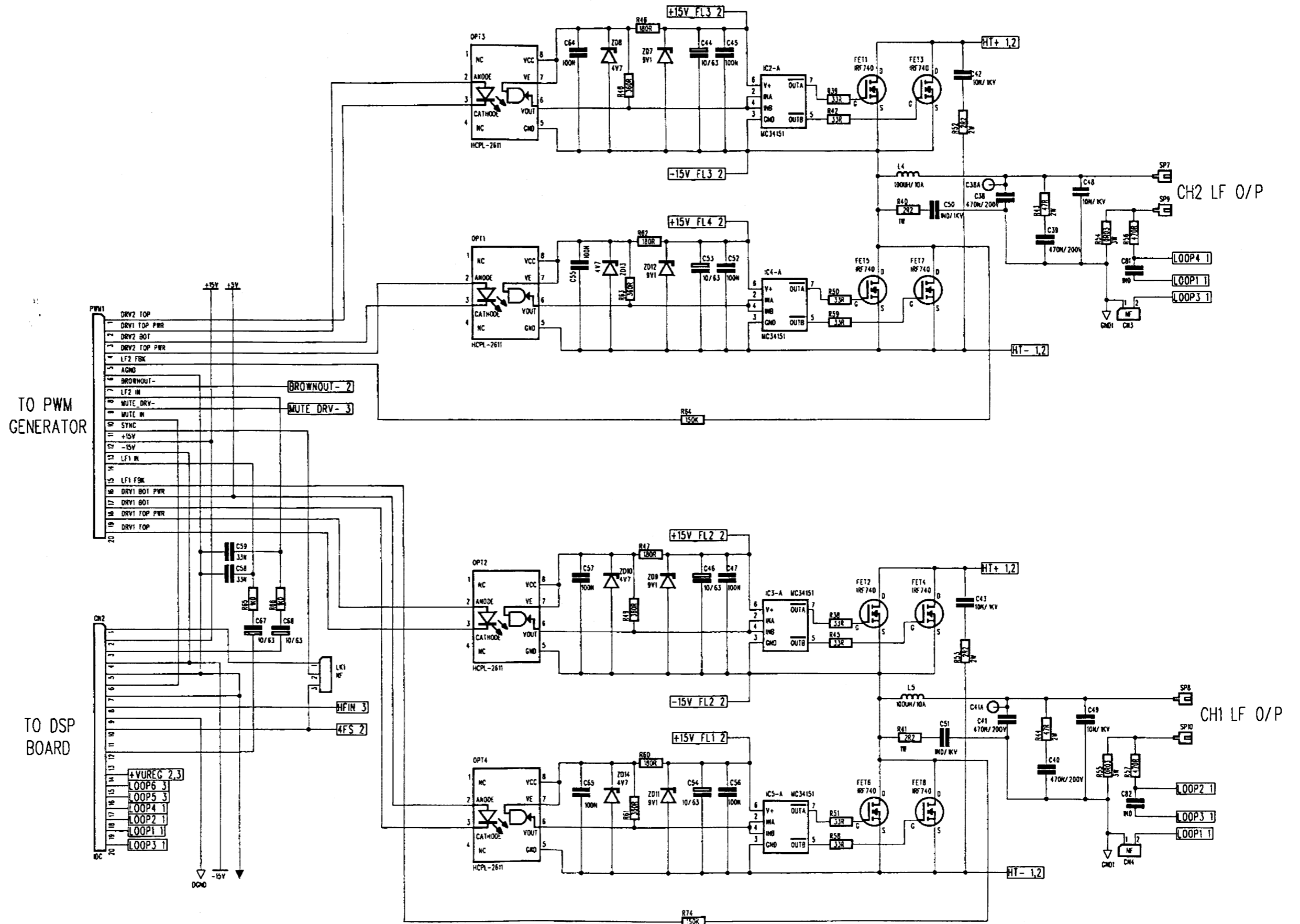
CHECKED: *BPV*

MATERIAL:

FINISH:

ISSUE COMMENTS:

- 1. PRE-PRODUCTION RELEASE 08/12/99
- 2. PRODUCTION RELEASE 21/07/00
- 3. ECN0366 05/09/00



TO PWM GENERATOR

TO DSP BOARD

C-AUDIO  
MACTE