

DRAWING NUMBER ISSUE

S-C260BS-01



TITLE: PWM CONTROLLER  
CIRCUIT DIAGRAM

SHEET 1 OF 1

FILENAME: S-C260BS-01.SCH

DRAWN: BPV

DATE: 27/09/99

CHECKED:

MATERIAL:

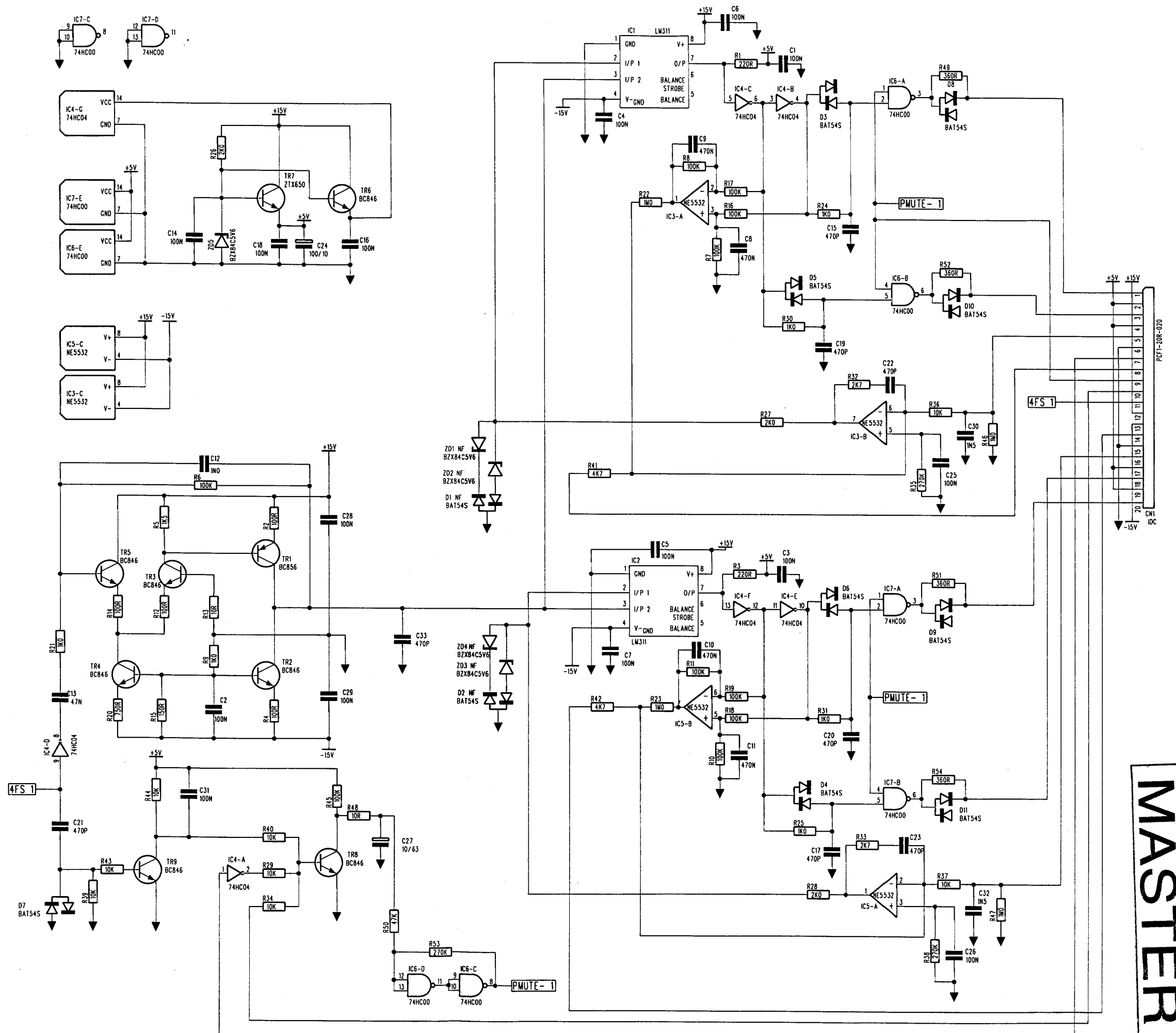
FINISH:

ISSUE COMMENTS:

1. PRODUCTION RELEASE 27/09/99

PART NUMBER:

THIS DRAWING IS THE COPYRIGHT OF BSS Audio Ltd. ALL REPRODUCTION AND COPYING, OTHER THAN THAT FOR LICENCED MANUFACTURES OWN INTERNAL USE, OR DISCLOSURE OF PART OR WHOLE TO A THIRD PARTY WITHOUT PRIOR WRITTEN AUTHORISATION IS IN VIOLATION OF THE COPYRIGHT. © BSS Audio Ltd 1994



C-AUDIO  
MASTER