

DRAWING NUMBER ISSUE

J-B260A-01

DO NOT SCALE

PART NO.

J-B260A-01



CRANBORNE HOUSE
CRANBORNE ROAD
POTTERS BAR
HERTS EN6 3JN
ENGLAND
PHONE : 01707 643643
FAX : 01707 660755

TITLE

B2 INPUT BOARD
LED PREFORM

FILENAME J-B260A-01.DWG

DRAWN JCET

DATE 06.12.99

CHECKED

MATERIAL

5mm ROUND
GREEN LED.

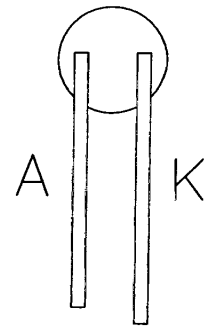
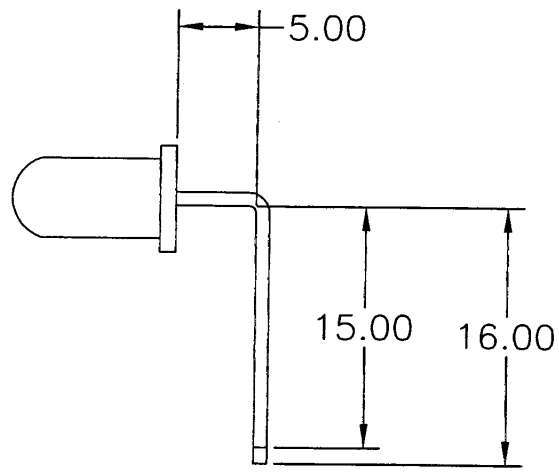
FINISH

DETAILS

USED ON PART No. JA0065
ON PARTS LIST R-B260D-01-AF.

ISSUE COMMENTS (REF. ONLY)

**C-AUDIO
MASTER**



L.E.D. MUST BE GREEN 5mm

NOTE : A DENOTES ANODE
K DENOTES CATHODE

ALL DIMENSIONS ARE IN mm.
DIMENSION TOLERANCE
DIMENSION TO 2 DECIMAL PLACES IS ±0.1mm
DIMENSION TO 1 DECIMAL PLACE IS ±0.25mm

THIRD ANGLE



THIS DRAWING IS THE COPYRIGHT OF C-AUDIO. ALL REPRODUCTION
AND COPYING, OTHER THAN THAT FOR LEGITIMATE MANUFACTURING OR
INTERNAL USE, OR DISCLOSURE OF PART OR WHOLE TO A THIRD PARTY
WITHOUT PRIOR WRITTEN AUTHORIZATION IS IN VIOLATION OF THE
COPYRIGHT.

REMOVE ALL BURRS & SHARP EDGES

DRAWING NUMBER ISSUE
S-B260D-02

BSS HARMAN INTERNATIONAL
 INDUSTRIES LIMITED
 CRANBORNE HOUSE
 CRANBORNE ROAD
 POTTERS BAR
 HERTS
 EN6 3JN
 Tel 01707 660667
 Fax 01707 660755
BSS Audio

TITLE: INPUT PCB DRILLING

FILENAME: S-B260D-02.LAY

DRAWN BY: AW

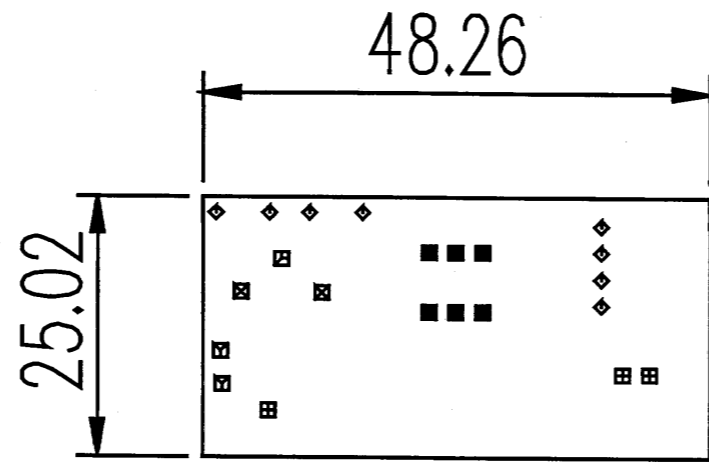
DATE: 8/12/99

CHECKED: PT 05/09/00

MANUFACTURING NOTES:
 MATERIAL :
 1.6mm +/- 0.2 THK. GLASS FIBRE
 1 oz CU SINGLE SIDED P.T.H.
 FLAMMABILITY RATING TO 94-V0
 FINISH:
 1. PCB TO BE HOT AIR SOLDER LEVELLED
 2. SOLDER RESIST BOTH SIDES IN GREEN
 PHOTOIMAGABLE
 3. LEGEND ON COMPONENT SIDE IN WHITE
 DRILLING:
 1. SEE DRILL TABLE FOR HOLE SIZES &
 PLATING INFO.
 HOLE SIZES SPECIFIED ARE FINISHED SIZES
 HOLE TOL. +0.15/ -0
 TRACKING:
 MINIMUM TRACK WIDTH 0.025"
 MINIMUM TRACK SPACING 0.012"
 NOTES:
 TOL. +/- 0.1mm UNLESS STATED OTHERWISE
 DIMENSIONS IN MM UNLESS STATED OTHERWISE

ISSUE COMMENTS:
 1. PREPRODUCTION RELEASE 8/12/99
 2. ECN0366 4/9/00

SIZE	CON	QTY	SYM
0.95	Yes	2	⊞
0.95	Yes	8	◇
1	Yes	6	■
1.2	Yes	1	⊞
1.6	Yes	2	⊞
1.2	No	2	⊞
1.6	No	1	⊞



BSS AUDIO LTD
MASTER

THIS DRAWING IS THE COPYRIGHT OF BSS Audio Ltd. ALL REPRODUCTION AND COPYING, OTHER THAN THAT FOR LICENCED MANUFACTURERS OWN INTERNAL USE, OR DISCLOSURE OF PART OR WHOLE TO A THIRD PARTY WITHOUT PRIOR WRITTEN AUTHORISATION IS IN VIOLATION OF THE COPYRIGHT.
 © BSS Audio Ltd 1995

DRAWING NUMBER ISSUE

S-B260DA-02



HARMAN INTERNATIONAL
INDUSTRIES LIMITED
CRANBORNE HOUSE
CRANBORNE ROAD
POTTERS BAR
HERTS
EN6 3JN
Tel 01707 660667
Fax 01707 660755

BSS AUDIO LTD
MASTER

TITLE: XLR INPUT PCB
ASSEMBLY SHT 1 OF 1

FILENAME: S-B260D-02.LAY

DRAWN: AW

DATE: 8-12-99

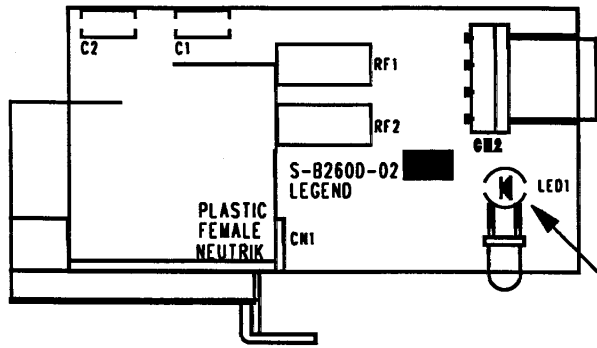
CHECKED: PT 05/09/00

MATERIALS:

FINISH:
ALL DIMENSIONS IN mm

ISSUE COMMENTS:

- 1. PREPRODUCTION RELEASE 8/12/99
- 2. ECN0366 4/9/00



ENSURE LED SPACER IS FITTED

