

DRAWING NUMBER ISSUE

S-B260CS-04

BSS HARMAN INTERNATIONAL INDUSTRIES LIMITED
 CRANBORNE HOUSE
 CRANBORNE ROAD
 POTTERS BAR
 HERTS
 EN6 3JN
 BSS Audio. Tel 01707 660667
 Fax 01707 660755

TITLE: JBL C260 SIGNAL PROCESSOR

SHEET 1

FILENAME: S-B260CS-04.SCH

DRAWN: MGW

DATE: 2/6/99

CHECKED:

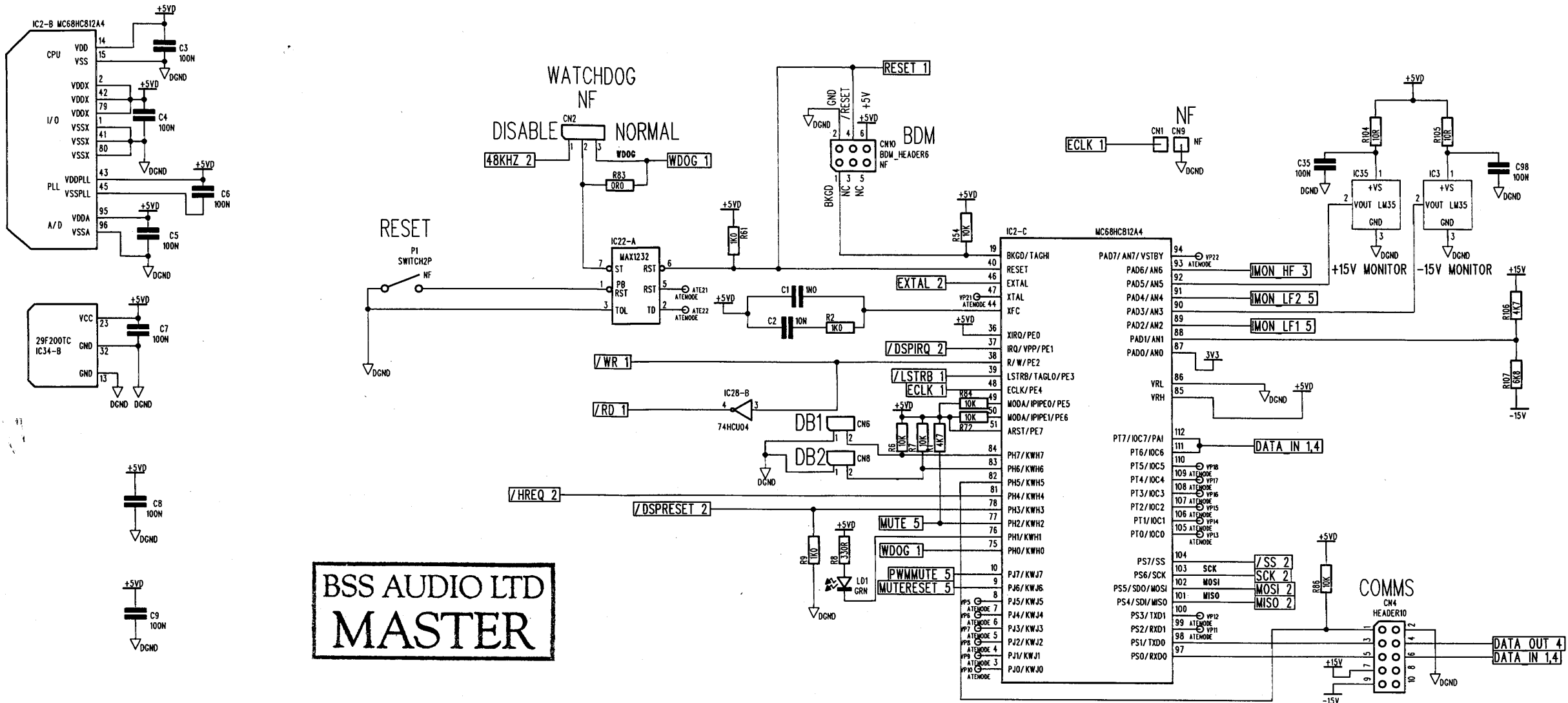
MATERIAL:

FINISH:

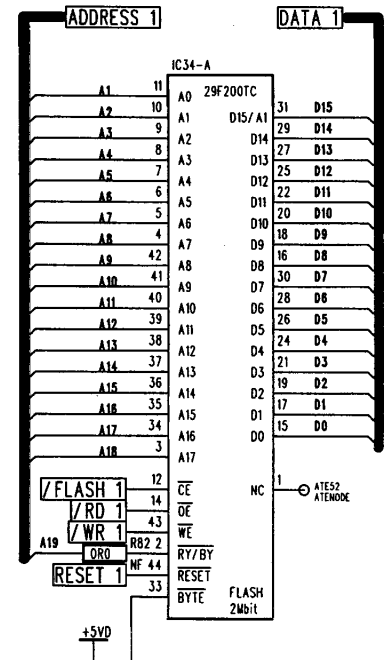
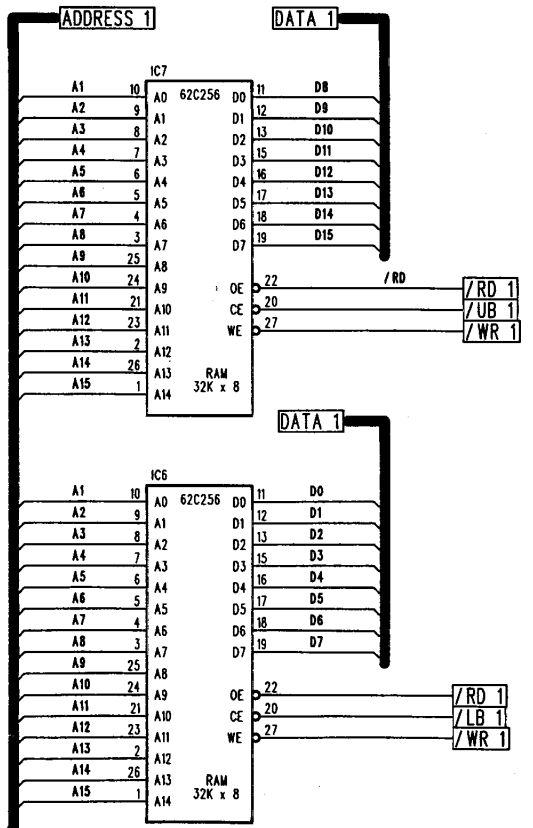
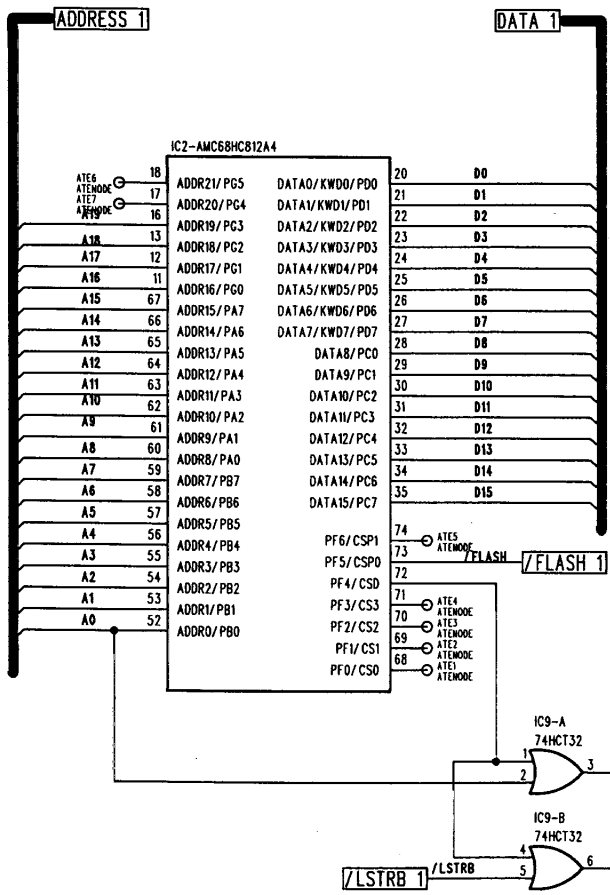
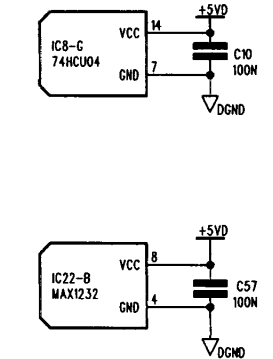
ISSUE COMMENTS:

1. PRODUCTION RELEASE
2. ECN0341 26/04/00
3. ECN0366 05/09/00
4. ECN0380 06/10/00

THIS DRAWING IS THE COPYRIGHT OF BSS Audio Ltd. ALL REPRODUCTION AND COPYING, OTHER THAN THAT FOR LICENCED MANUFACTURERS OWN INTERNAL USE, OR DISCLOSURE OF PART OR WHOLE TO A THIRD PARTY WITHOUT PRIOR WRITTEN AUTHORISATION IS IN VIOLATION OF THE COPYRIGHT.
 © BSS Audio Ltd 1994



**BSS AUDIO LTD
 MASTER**



DRAWING NUMBER ISSUE
S-B260CS-04

BSS HARMAN INTERNATIONAL INDUSTRIES LIMITED
 CRANBORNE HOUSE
 CRANBORNE ROAD
 POTTERS BAR
 HERTS
 EN6 3JN
 BSS Audio. Tel 01707 660667
 Fax 01707 660755

TITLE:
JBL C260 SIGNAL PROCESSOR
 SHEET 2

FILENAME: **S-B260CS-04.SCH**

DRAWN: **MGW**

DATE: **2/6/99**

CHECKED: *[Signature]*

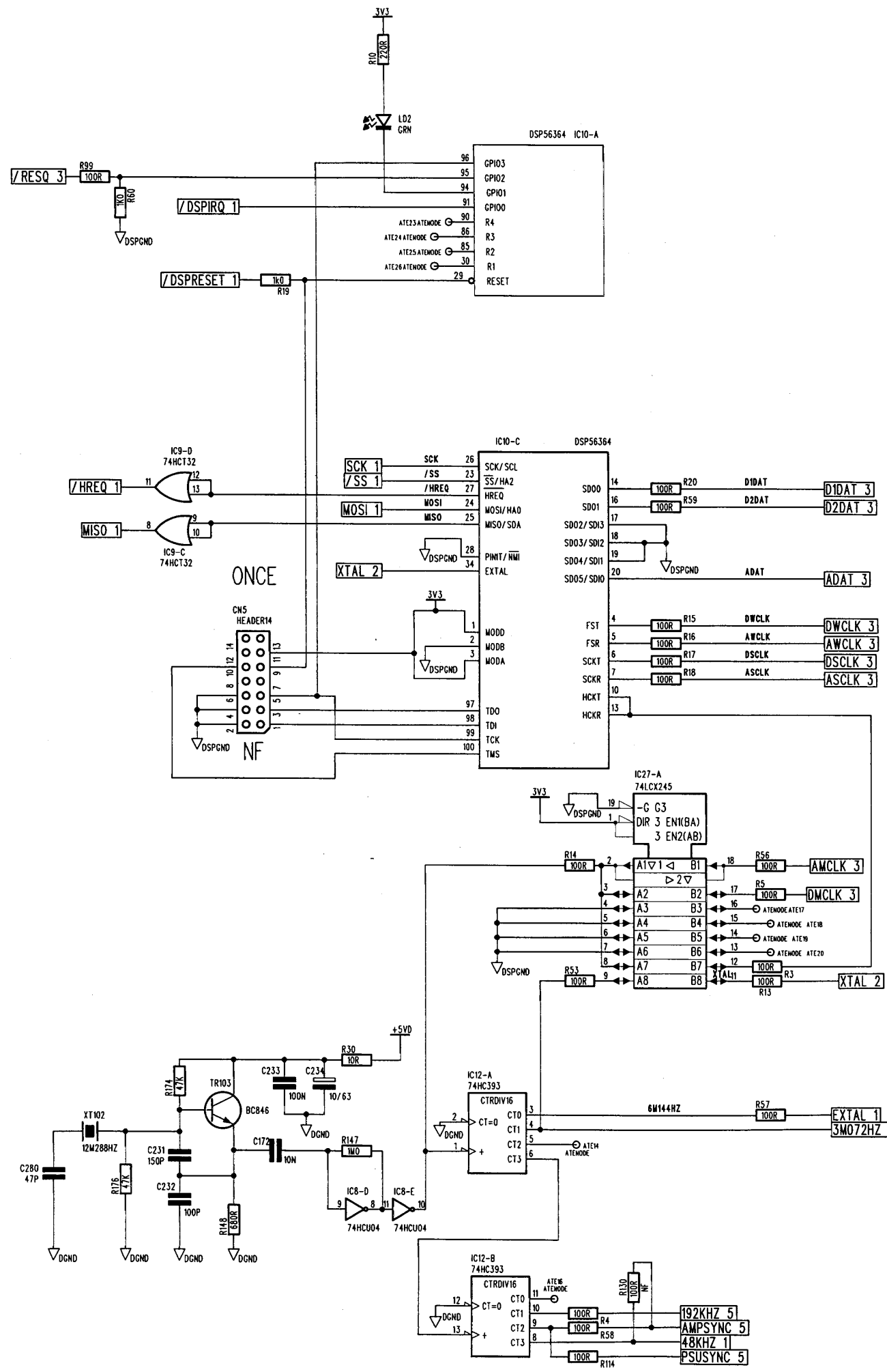
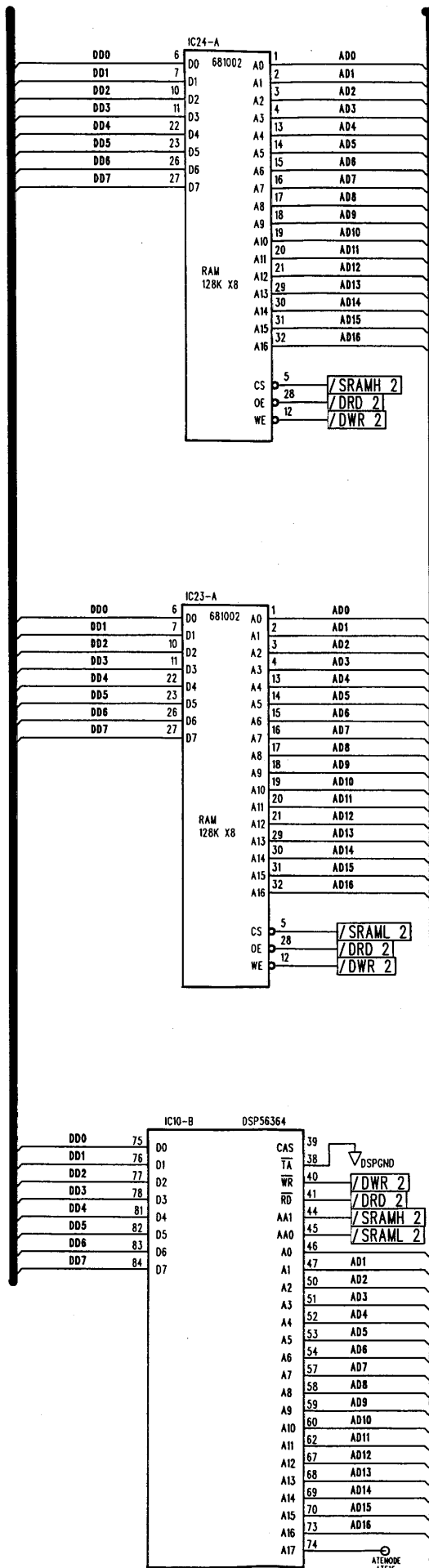
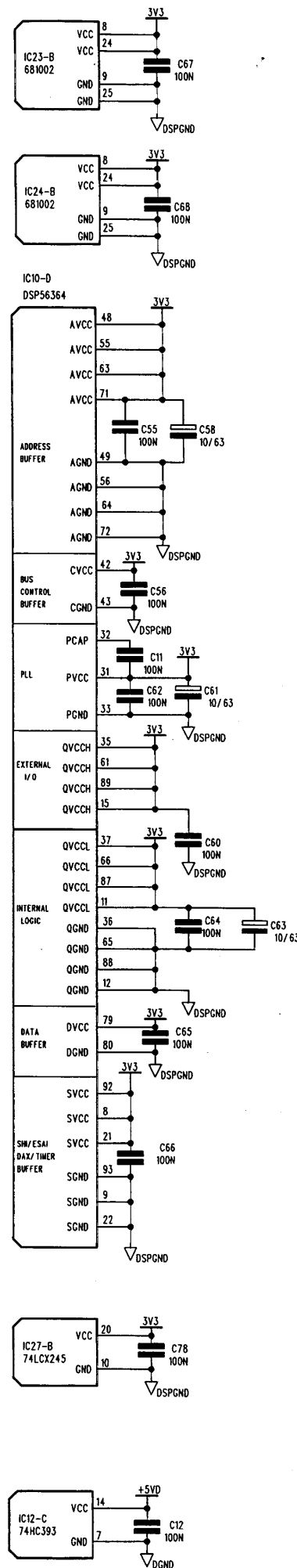
MATERIAL:

FINISH:

ISSUE COMMENTS:

**BSS AUDIO LTD
 MASTER**

THIS DRAWING IS THE COPYRIGHT OF BSS Audio Ltd. ALL REPRODUCTION AND COPYING, OTHER THAN THAT FOR LICENCED MANUFACTURERS OWN INTERNAL USE, OR DISCLOSURE OF PART OR WHOLE TO A THIRD PARTY WITHOUT PRIOR WRITTEN AUTHORISATION IS IN VIOLATION OF THE COPYRIGHT.
 © BSS Audio Ltd 1994



DRAWING NUMBER ISSUE

S-B260CS-04

BSS HARMAN INTERNATIONAL INDUSTRIES LIMITED
 CRANBORNE HOUSE
 CRANBORNE ROAD
 POTTERS BAR
 HERTS
 EN6 3JN
 Tel 01707 660667
 Fax 01707 660755

BSS Audio.

TITLE: JBL C260 SIGNAL PROCESSOR
SHEET 3

FILENAME: S-B260CS-04.SCH

DRAWN: MGW

DATE: 2/6/99

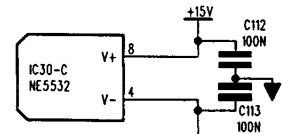
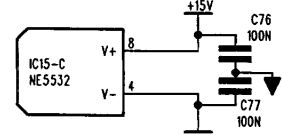
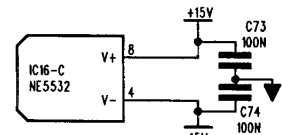
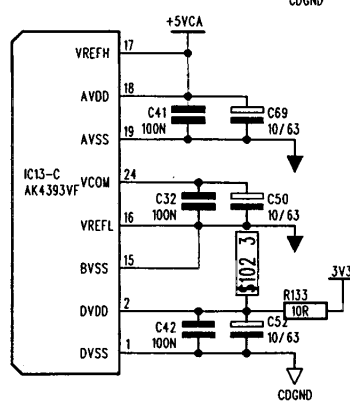
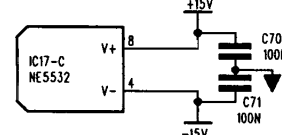
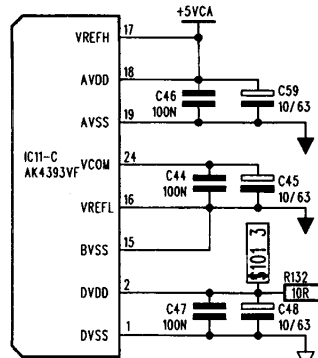
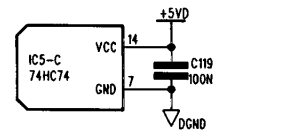
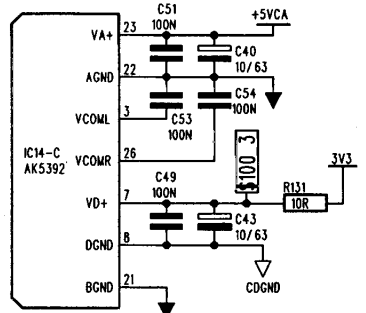
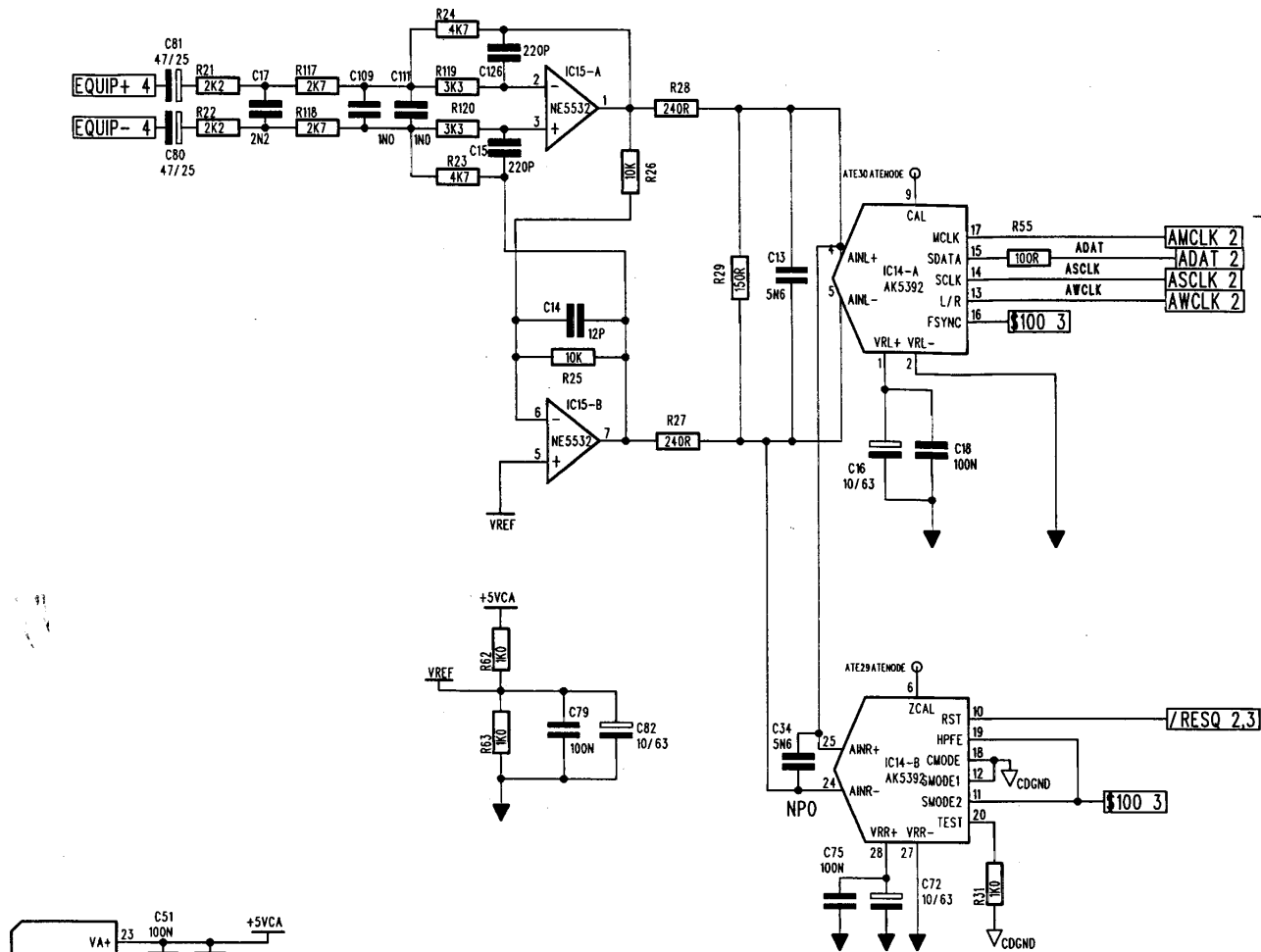
CHECKED: *[Signature]*

MATERIAL:

FINISH:

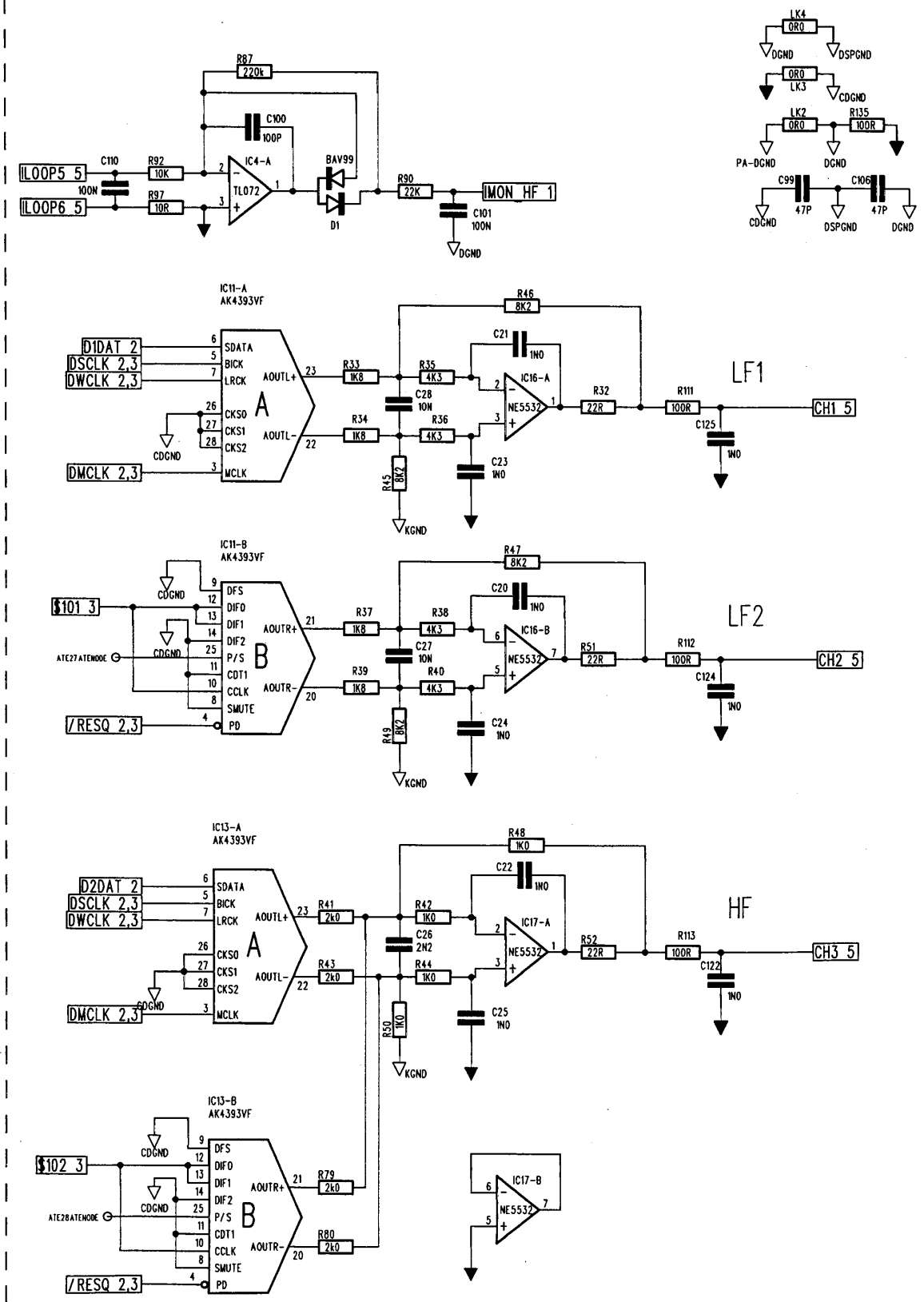
ISSUE COMMENTS:

THIS DRAWING IS THE COPYRIGHT OF BSS Audio Ltd. ALL REPRODUCTION AND COPYING, OTHER THAN THAT FOR LICENCED MANUFACTURERS OWN INTERNAL USE, OR DISCLOSURE OF PART OR WHOLE TO A THIRD PARTY WITHOUT PRIOR WRITTEN AUTHORISATION IS IN VIOLATION OF THE COPYRIGHT. © BSS Audio Ltd 1994



**BSS AUDIO LTD
MASTER**

SIGNAL PROCESSOR



DRAWING NUMBER

ISSUE

S-B260CS-04



HARMAN INTERNATIONAL INDUSTRIES LIMITED CRANBORNE HOUSE CRANBORNE ROAD POTTERS BAR HERTS EN6 3JN Tel 01707 660667 Fax 01707 660755

BSS Audio Ltd.

TITLE: JBL B260 SIGNAL PROCESSOR

FILENAME: S-B260SC-04.SCH

DRAWN BY: MGW

DATE: 2/6/99

CHECKED:

LAYERS: SHEET 4

ISSUE DETAILS

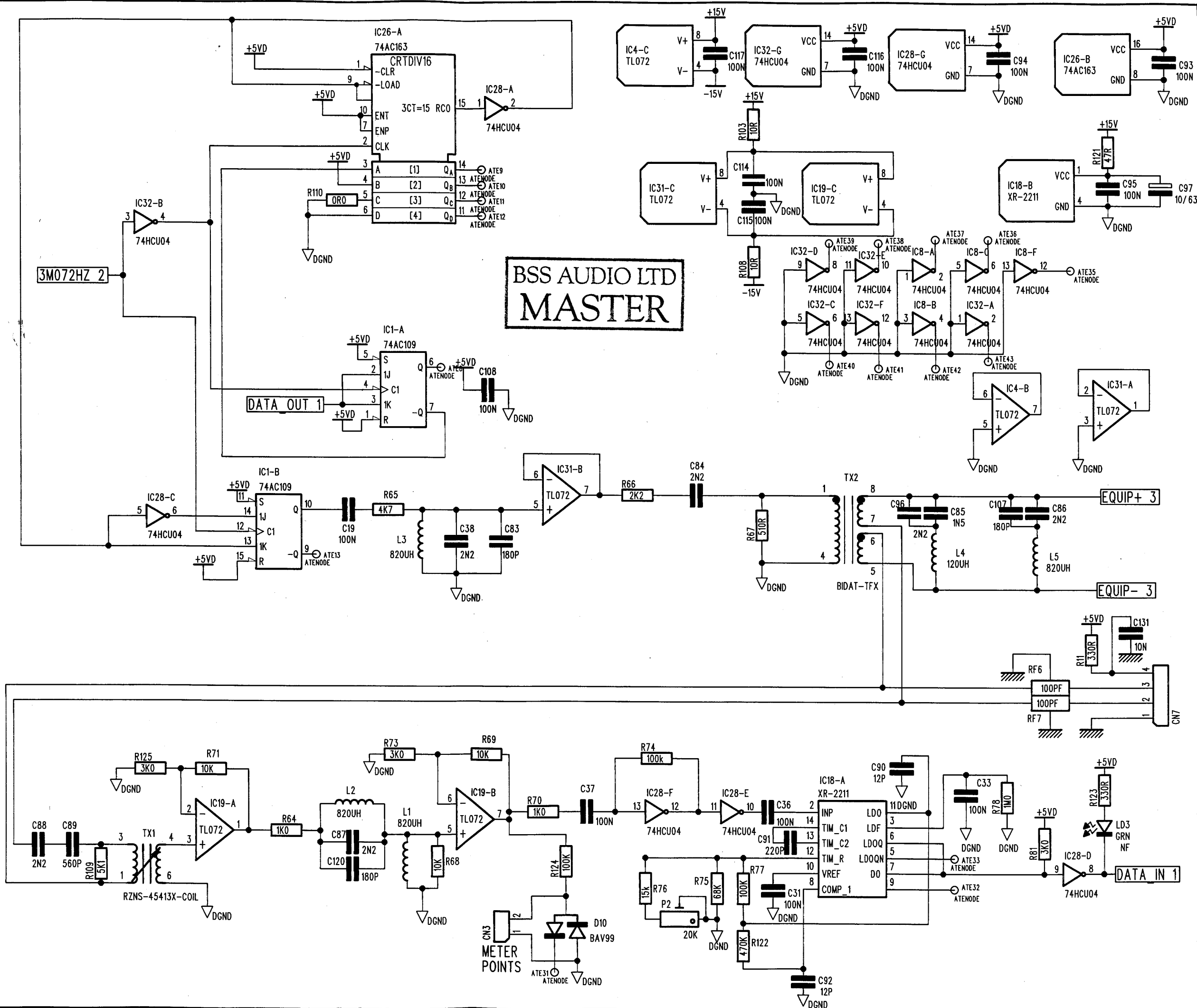
DIMENSIONS:

MATERIALS:

FINISH:

ARTWORK:

NOTES



THIS DRAWING IS THE COPYRIGHT OF BSS Audio Ltd. ALL REPRODUCTION AND COPYING, OTHER THAN THAT FOR LICENCED MANUFACTURES OWN INTERNAL USE, OR DISCLOSURE OF PART OR WHOLE TO A THIRD PARTY WITHOUT PRIOR WRITTEN AUTHORISATION IS IN VIOLATION OF THE COPYRIGHT. © BSS Audio Ltd 1995

DRAWING NUMBER ISSUE
S-B260CS-04

BSS HARMAN INTERNATIONAL INDUSTRIES LIMITED
 CRANBORNE HOUSE
 CRANBORNE ROAD
 POTTERS BAR
 HERTS
 EN6 3JN
 BSS Audio Tel 01707 660667
 Fax 01707 660755

TITLE:
JBL C260 SIGNAL PROCESSOR
 SHEET 5

FILENAME: **S-B260CS-04.SCH**

DRAWN: **MGW**

DATE: **2/6/99**

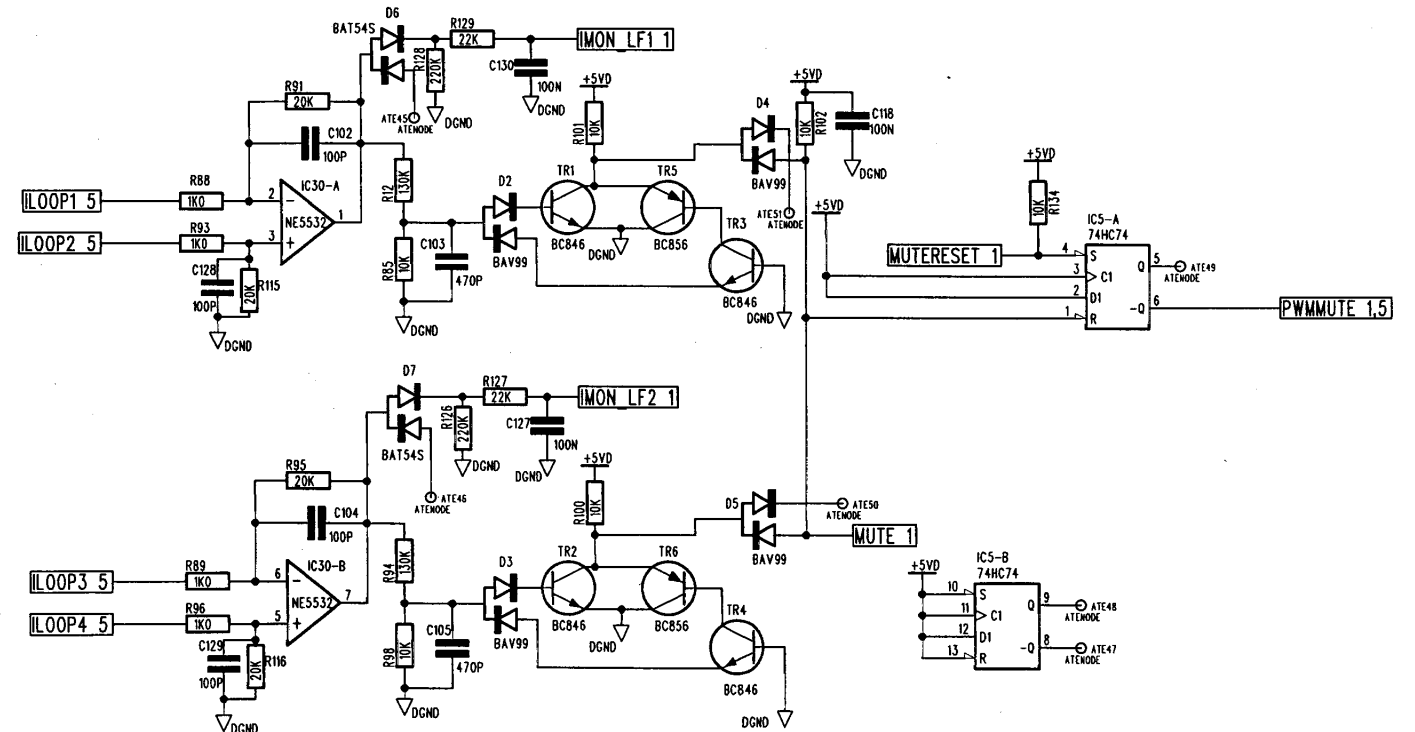
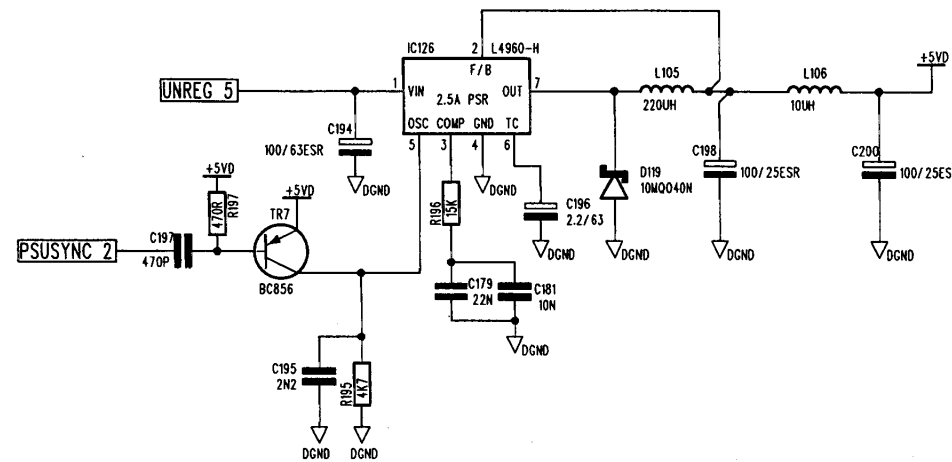
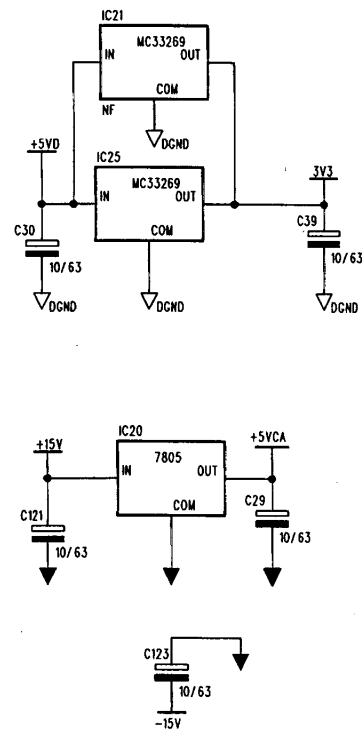
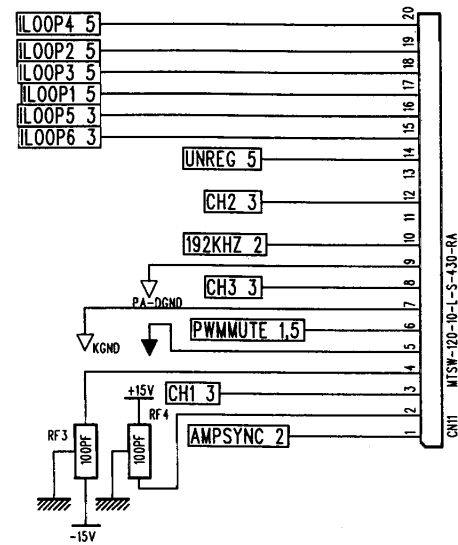
CHECKED: *[Signature]*

MATERIAL:

FINISH:

ISSUE COMMENTS:

TO POWER AMP BOARD



BSS AUDIO LTD
MASTER