

Technical Manual

JBL G-732 PERFORMANCE SERIES SPECIFICATIONS



ACOUSTIC & ELECTRICAL SPECIFICATIONS:

- Nominal Impedance: 8 ohm
- Power Capacity: Continuous Pink Noise: 200W
Continuous Program: 400W
- Frequency Range: 45 Hz to 17 kHz (-10dB)
- Sensitivity: 104 dB SPL*
- Crossover Frequencies: 1.5 kHz

SYSTEM COMPONENTS:

- Cabinet: CG-732
- Grille: GG-732 (64762)
- Low Frequency Transducer: 381mm (15 in.) Cone Transducer (G135A-8)
- DC Resistance: 6.0 ohm \pm 10% Aluminum Wire

*1 Watt (2.83 V RMS) @ 1 Meter

SYSTEM COMPONENTS: (cont'd)

- High Frequency Transducer: 25mm (1 in.) Pure Titanium Compression Driver (2416H-1)
- DC Resistance: 3.2 ohm \pm 8% Aluminum Wire
- Crossover Network: 68582

AURAL SWEEP TEST SPECIFICATIONS:

- A. System Aural Sweep Test: 7.0V Input, 20 Hz to 20 kHz
- B. L.F. Aural Sweep Test: 7.0V Input, 20 Hz to 1.2 kHz
- C. H.F. Aural Sweep Test: 2.83V Input, 550 Hz to 20 kHz

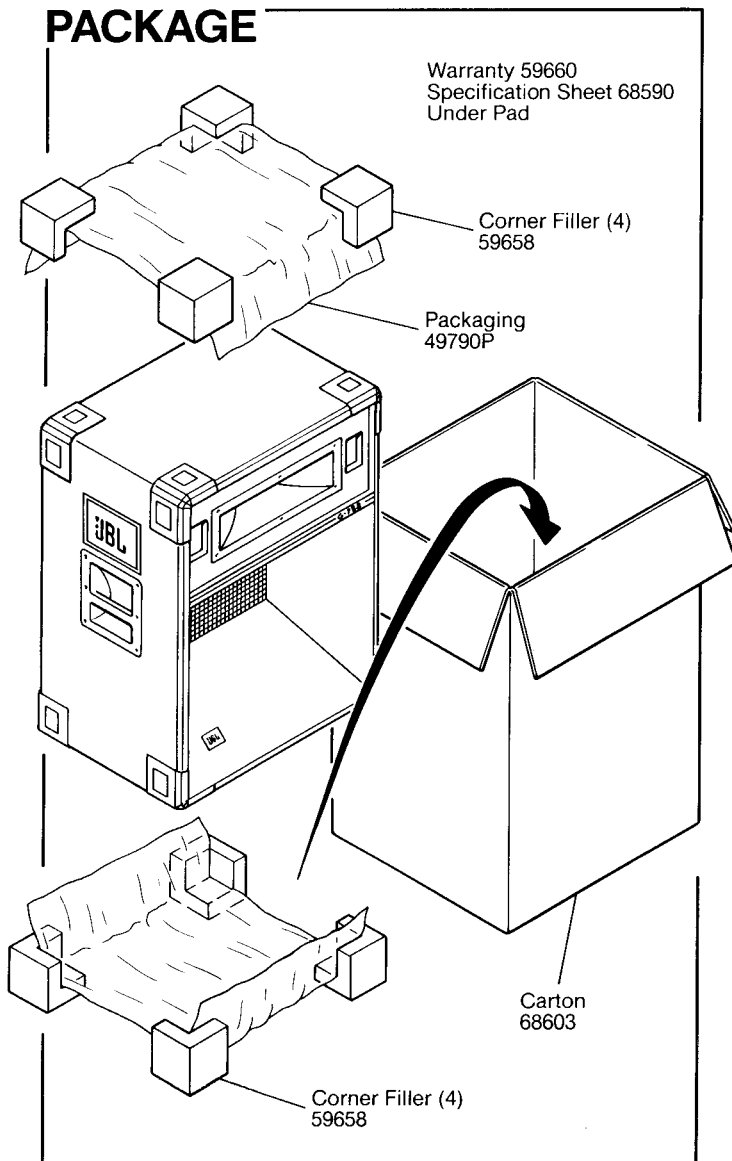
PHYSICAL SPECIFICATIONS:

- Enclosure Dimensions: 845mm x 629mm x 450mm D (33.25 x 24.75 x 17.75 in. D)
- Shipping Weight: 82 lbs. (37.2 kg)

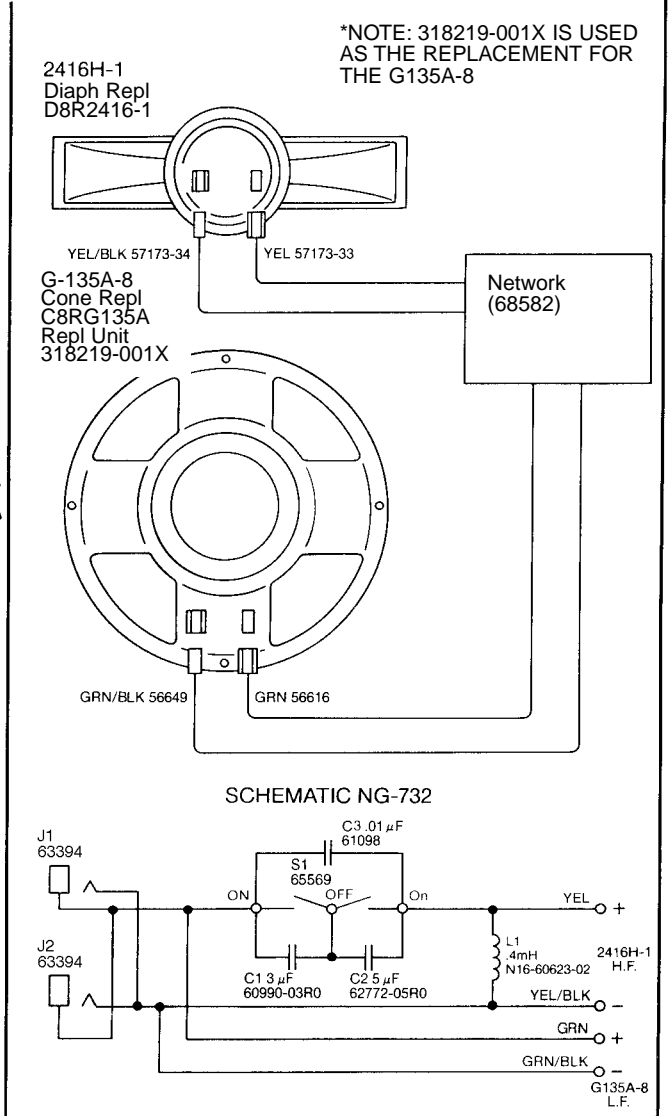
WARRANTY INFORMATION:

- Refer to the Warranty Statement packed with each product.

PACKAGE

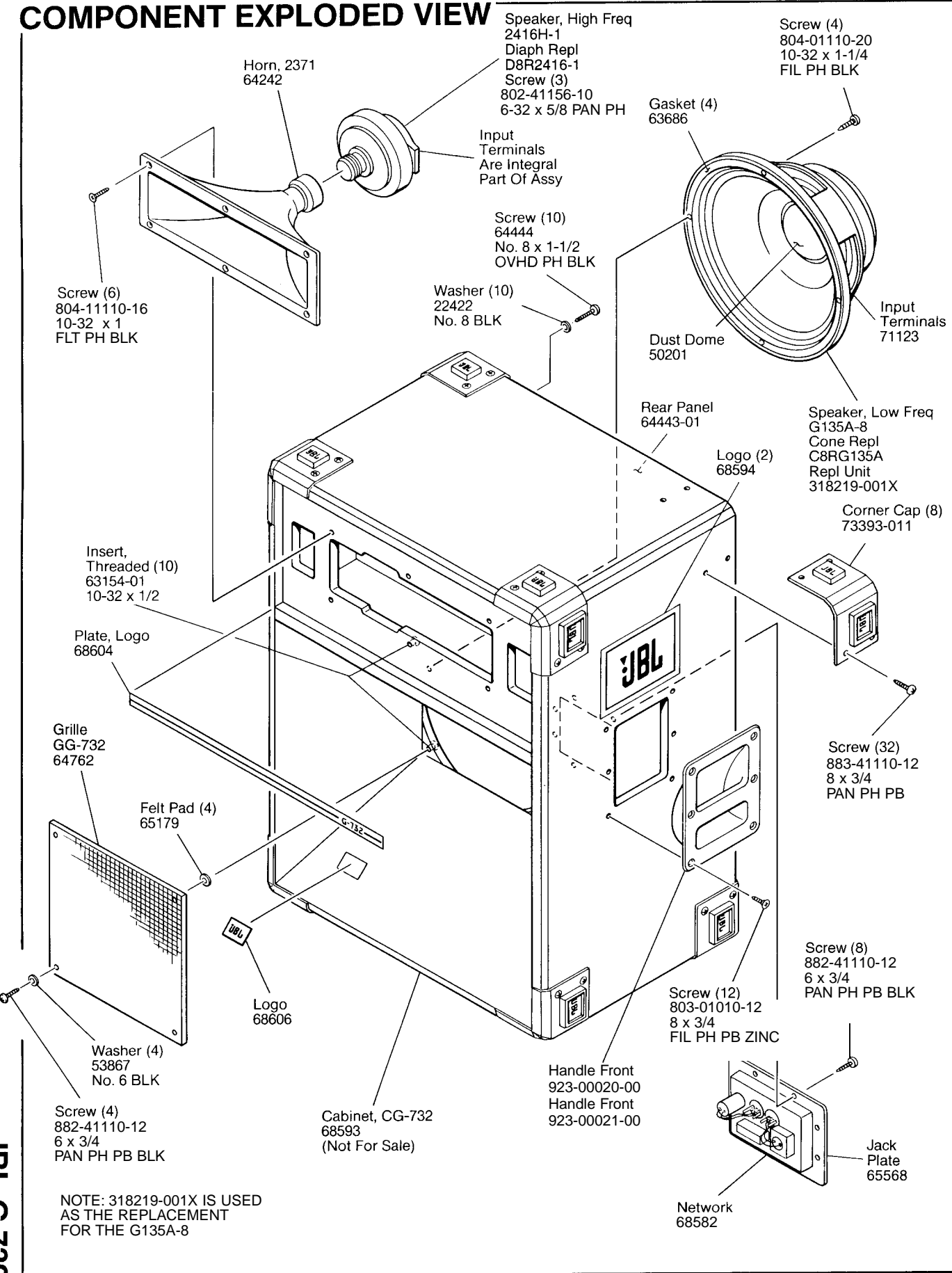


WIRING DIAGRAM



JBL G-732

COMPONENT EXPLODED VIEW



NOTE: 318219-001X IS USED AS THE REPLACEMENT FOR THE G135A-8

JBL G-732