

# Technical Manual

# JBL G-734 PERFORMANCE SERIES SPECIFICATIONS



### ACOUSTIC & ELECTRICAL SPECIFICATIONS:

- Nominal Impedance: 8 ohm
- Power Capacity: Continuous Pink Noise: 200W  
Continuous Program: 400W
- Frequency Range: 50 Hz to 17 kHz (-10dB)
- Sensitivity: 102 dB SPL\*
- Crossover Frequencies: 1.5 kHz

### SYSTEM COMPONENTS:

- Cabinet: CG-734
- Grille: 68223
- Low Frequency Transducer: 381mm (15 in.) Cone Transducer (G135A-8)
- DC Resistance: 6.0 ohm  $\pm$  10% Aluminum Wire

\*1 Watt (2.83 V RMS) @ 1 Meter

### SYSTEM COMPONENTS: (cont'd)

- High Frequency Transducer: 25mm (1 in.) Pure Titanium Compression Driver (2416H-1)
- DC Resistance: 3.2 ohm  $\pm$  8% Aluminum Wire
- Crossover Network: 68221

### AURAL SWEEP TEST SPECIFICATIONS:

- A. System Aural Sweep Test: 7.0V Input, 20 Hz to 20 kHz
- B. L.F. Aural Sweep Test: 7.0V Input, 20 Hz to 1.2 kHz
- C. H.F. Aural Sweep Test: 2.83V Input, 550 Hz to 20 kHz

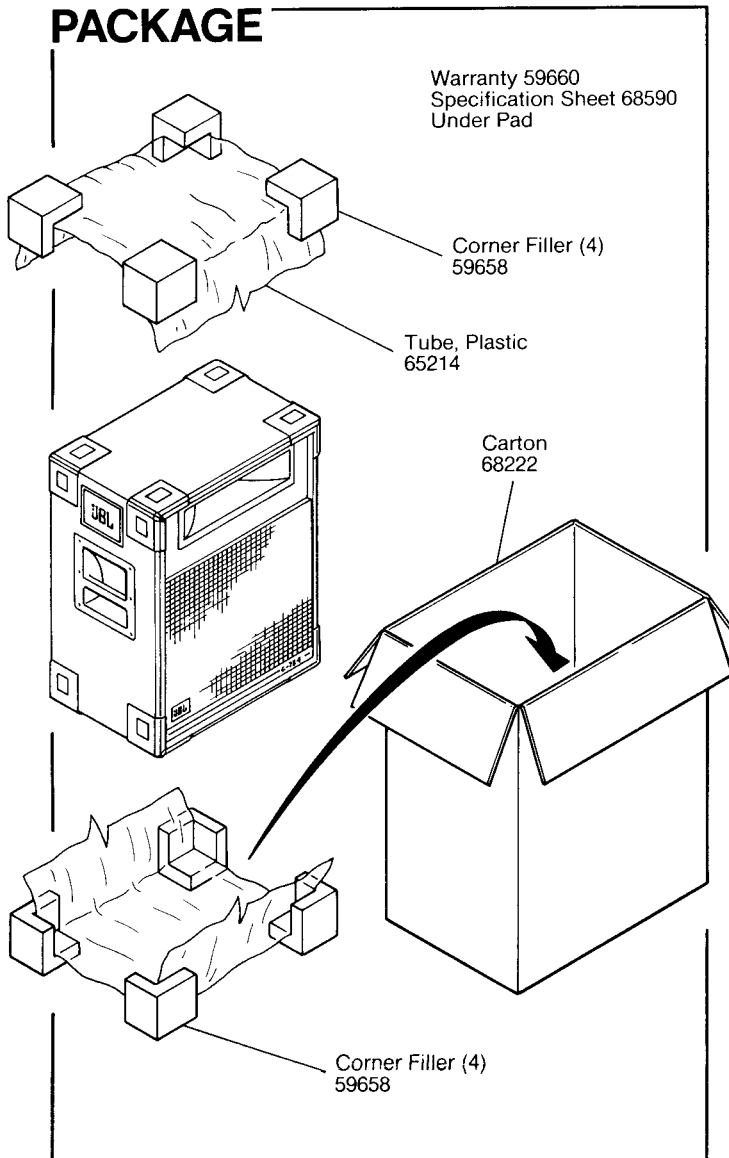
### PHYSICAL SPECIFICATIONS:

- Enclosure Dimensions: 667mm x 514mm x 324mm D (26.25 x 20.25 x 12.75 in. D)
- Shipping Weight: 56 lbs. (25.4 kg)

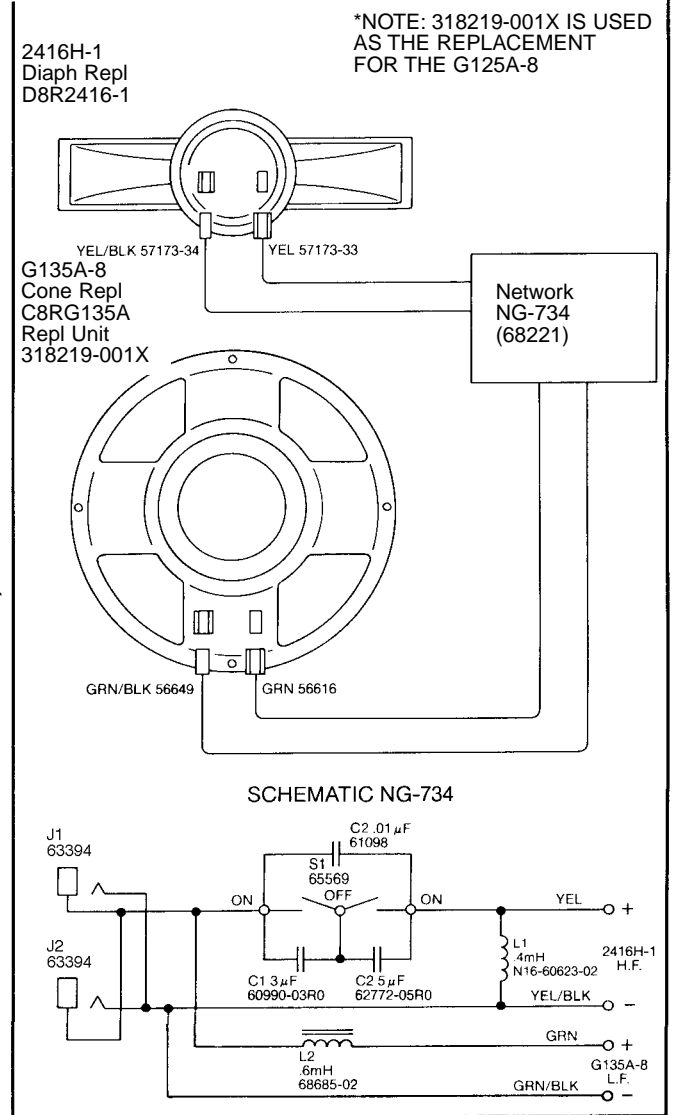
### WARRANTY INFORMATION:

- Refer to the Warranty Statement packed with each product.

## PACKAGE



## WIRING DIAGRAM



# JBL G-734

## COMPONENT EXPLODED VIEW

