

Technical Manual

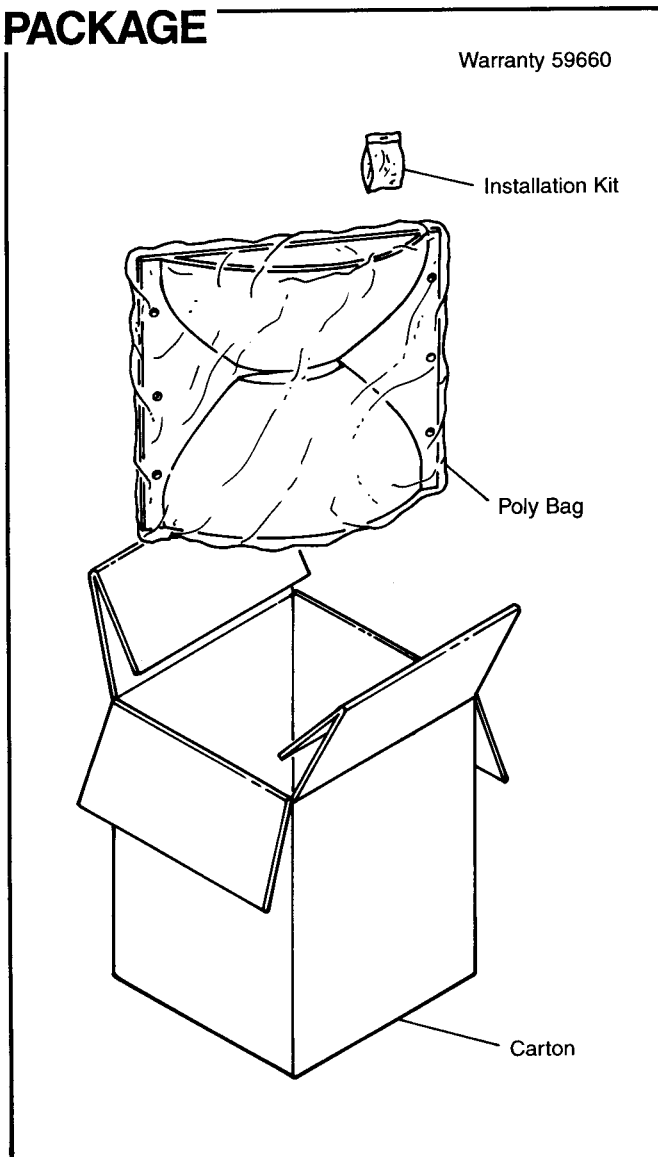
JBL2344A

SPECIFICATIONS

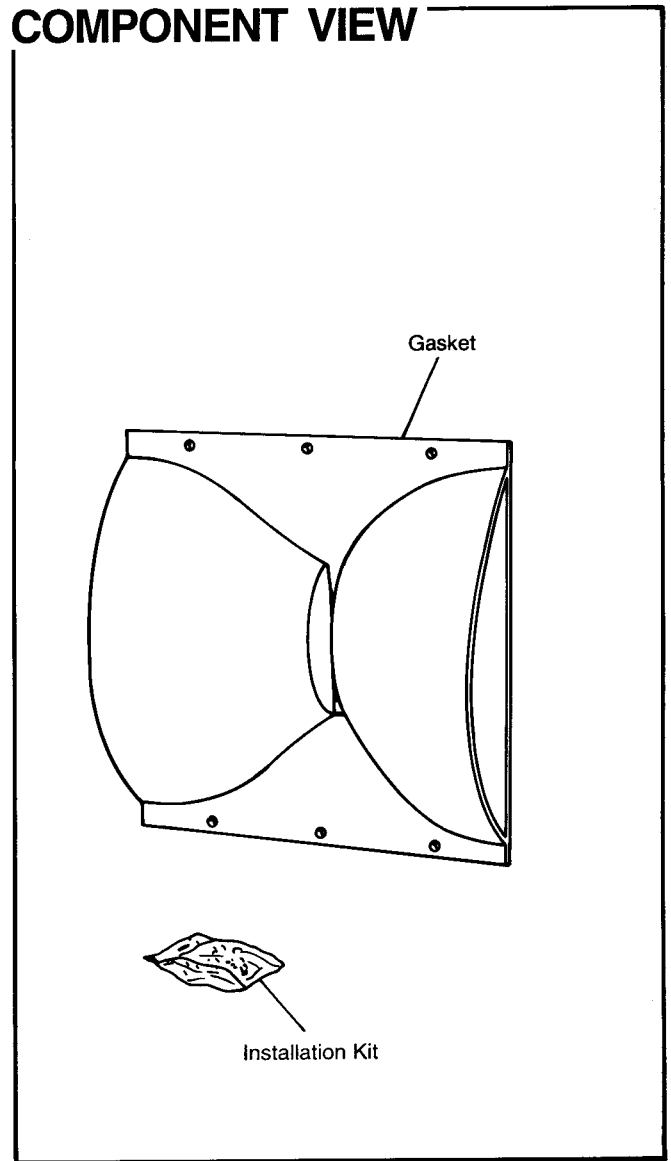


- **HORIZONTAL COVERAGE**
Angle (-6 dB): 100° (+5°, -15°)
Average Range: 1 kHz - 16 kHz
- **VERTICAL COVERAGE**
Angle (-6 db): 100° (+5°, -30°)
Average Range: 1 kHz - 12.5 kHz
- **Directivity Index (DI):** 7.8 dB (+.9, -1.1 dB)
- **Directivity Factor (Q):** 6 (+1.4, -1.3)
- **Average Range:** 1 kHz - 12.5 kHz
- **Usable Low Frequency Limit:** 800 Hz
- **Minimum Recommended Crossover Frequency:** 800 Hz
- **Axial Pressure Sensitivity:** 107 dB SPL, 1 W @ 1 m
- **Construction:** Molded structural Foam (nominal 1/4 in. (6 mm) wall thickness)
- **OVERALL DIMENSIONS:**
Mouth Height: 12.6 in. (320mm)
Mouth Width: 12.6 in. (320mm)
Length: 6.5 in. (165mm)
- **Baffle Cutout Required:** 10 in. (254mm) square cutout
- **Net Weight:** 5.3 lbs. (2.41 kg.)

PACKAGE



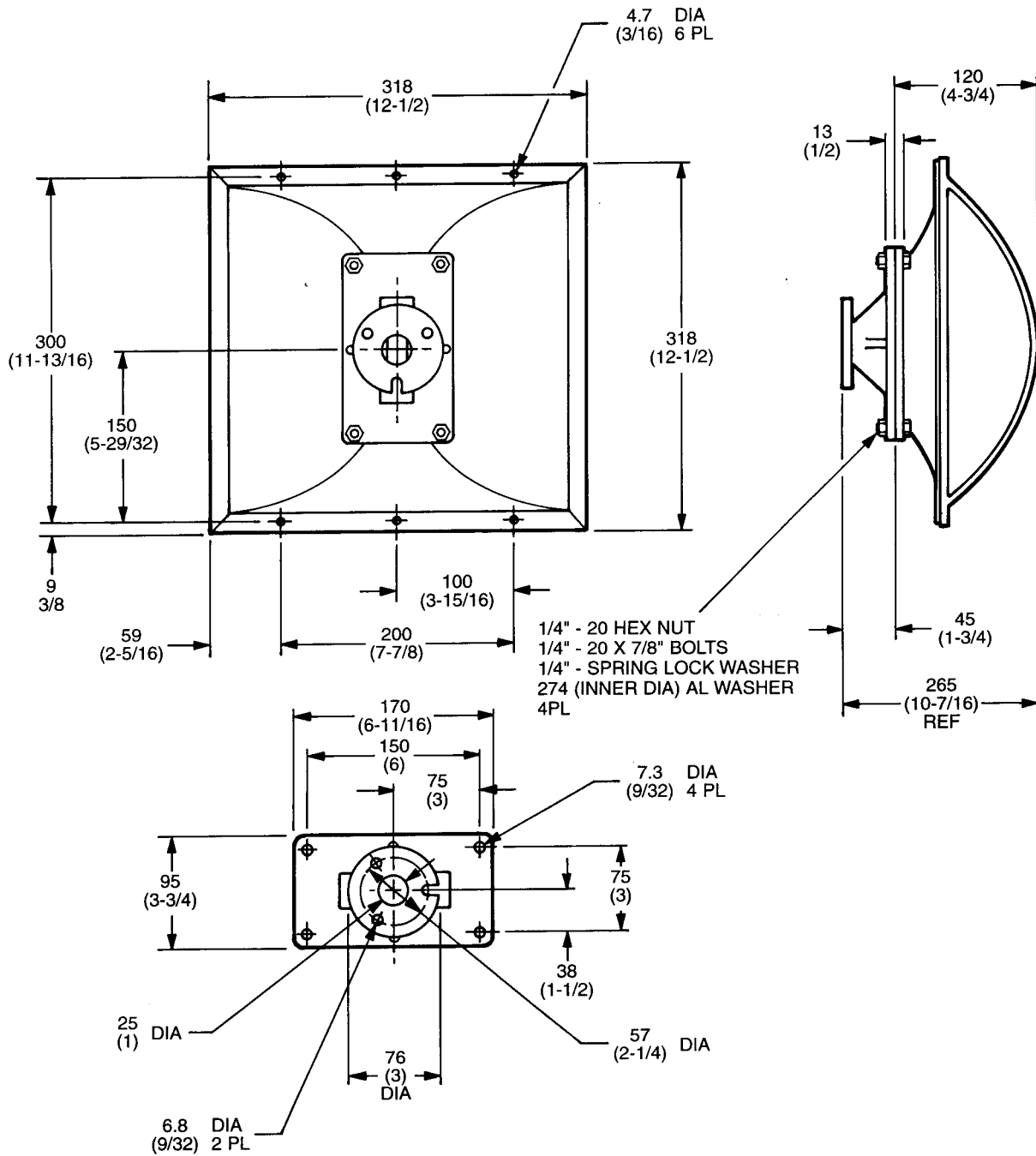
COMPONENT VIEW



JBL2344A

MECHANICAL DRAWING

THESE DRAWINGS AND SPECIFICATIONS ARE THE PROPERTY OF JBL. IF REPRODUCED OR COPIED, THEY ARE ISSUED IN STRICT CONFIDENCE AND SHALL NOT BE REPRODUCED, COPIED, OR USED AS THE BASIS FOR MANUFACTURE OR SALE OF APPLIANCE WITHOUT WRITTEN PERMISSION.



MOUNTING FLANGE DETAIL
ROTATED 90°

NOTE: DIMENSIONS ARE IN mm AND () INCHES AND ARE FOR REF. ONLY.

JBL2344A