

# Technical Manual

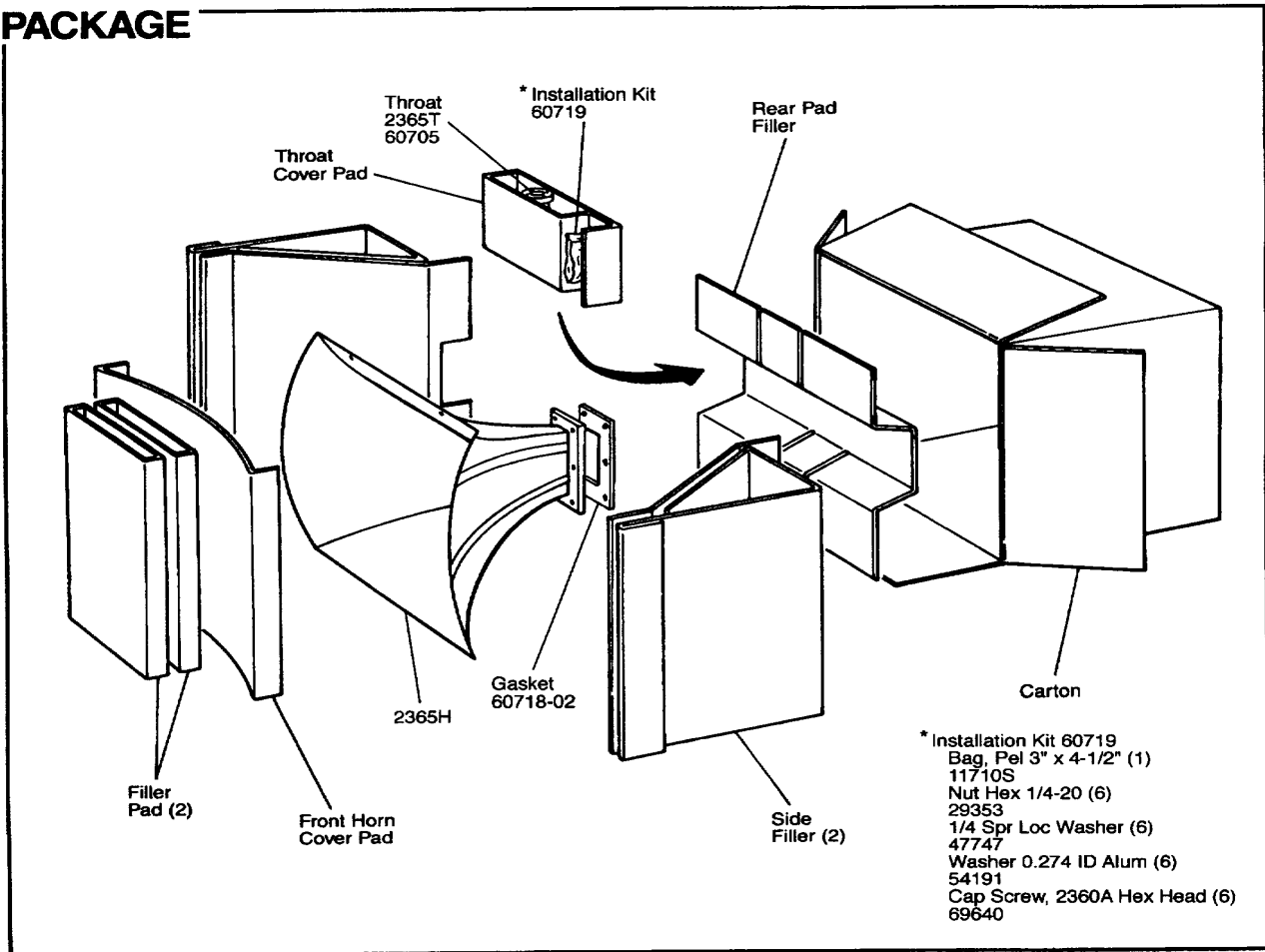


# JBL2365A

## SPECIFICATIONS

- |   |                         |   |   |
|---|-------------------------|---|---|
| • <b>Throw:</b>                                   | Medium                  | • <b>1 Watt/1 Meter Axial Sensitivity:</b> 115 dB SPL |   |
| • <b>Horizontal Coverage</b>                      |                         | • <b>Construction:</b>                                |   |
| <b>Angle Degrees (-6 dB):</b>                     | 60° (+10°, -10°)        | <b>Horn Bell:</b>                                     | Molded Reinforced Urethane Resin                              |
| <b>Average Range:</b>                             | 500 Hz - 16 kHz         | <b>Horn Throat:</b>                                   | Aluminum, Sand Cast (nominal 7.5mm (5/16 in.) wall thickness) |
| • <b>Vertical Coverage</b>                        |                         | • <b>Overall Dimensions:</b>                          |   |
| <b>Angle Degrees (-6 db):</b>                     | 40° (+18°, -13°)        | <b>(with throat attached)</b>                         |   |
| <b>Average Range:</b>                             | 500 Hz - 16 kHz         | <b>Mouth Height:</b>                                  | 31-5/16 in. (795mm)   |
| • <b>Directivity Factor (Q):</b>                  | 18 (+7, -5)             | <b>Mouth Width:</b>                                   | 32-7/64 in. (815mm)   |
| <b>Average Range:</b>                             | 500 Hz - 16 kHz         | <b>Length:</b>  | 25 lb. (11.3 kg.)   |
| • <b>Directivity Index (DI):</b>                  | 12.5 dB (+1.5, -1.5 dB) | • <b>Net Weight:</b>                                  | Horn - 58.5 lb. (26.6 kg.)                                    |
| • <b>Usable Low Frequency Limit:</b>              | 300 Hz                  | • <b>Shipping Weight:</b>                             | Throat - 5.8 lb. (2.6 kg.)                                    |
| • <b>Minimum Recommended Crossover Frequency:</b> |                         |   |   |
| <b>(using 2427, 2445, 2450):</b>                  | 500 Hz                  |   |   |
| <b>(using 2485):</b>                              | 350 Hz                  |   |   |

## PACKAGE



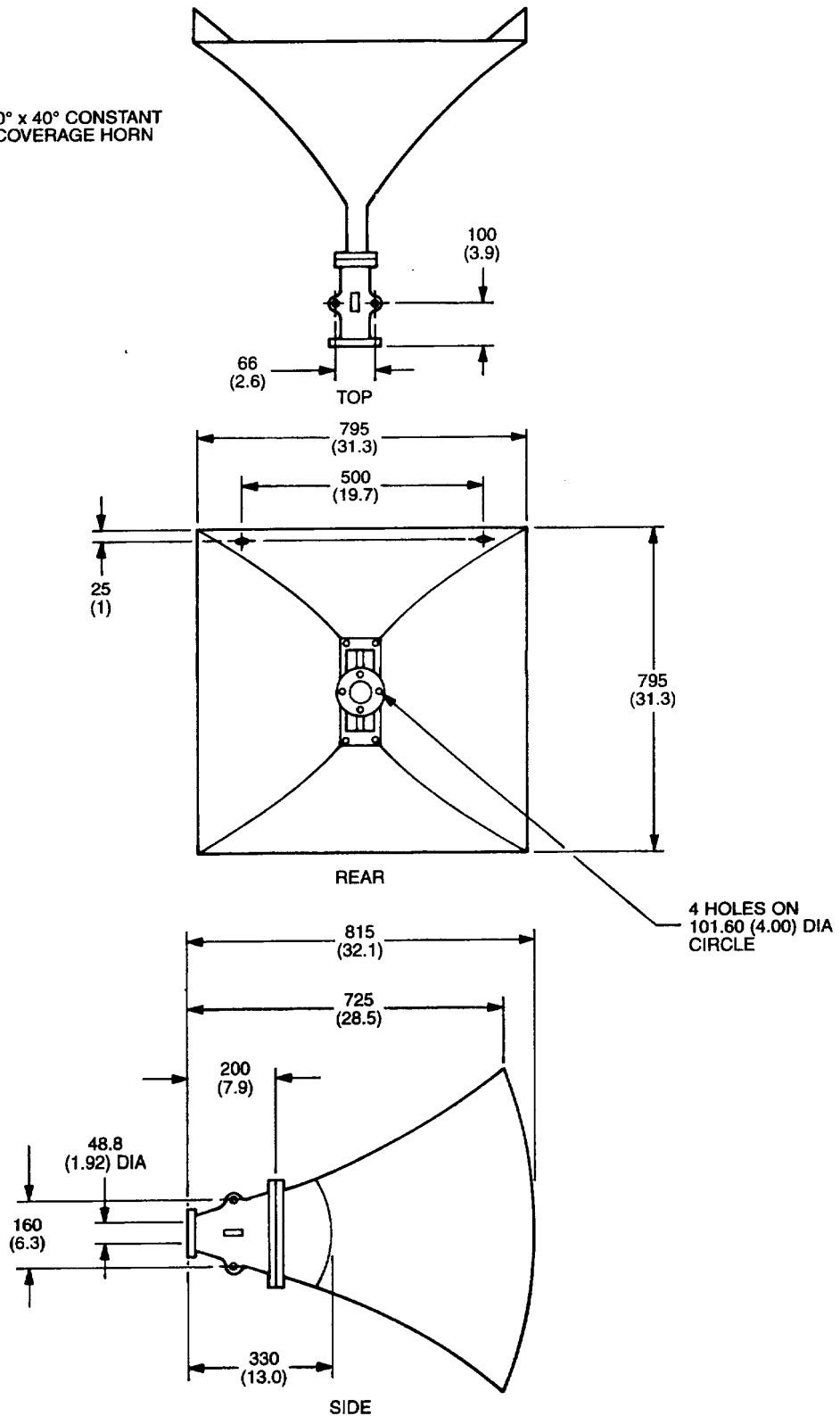
JBL2365A REV C

# JBL2365A

## MECHANICAL DRAWING

THESE DIMENSIONS AND SPECIFICATIONS ARE THE PROPERTY OF JBL INC. AND ARE NOT TO BE REPRODUCED OR USED IN ANY MANNER WITHOUT THE WRITTEN PERMISSION OF JBL INC. THESE DIMENSIONS AND SPECIFICATIONS ARE FOR REFERENCE ONLY AND SHALL NOT BE USED AS THE BASIS FOR MANUFACTURE OR SALE OF PRODUCTS WITHOUT WRITTEN PERMISSION.

60° x 40° CONSTANT COVERAGE HORN



NOTE: DIMENSIONS ARE IN mm AND ( ) INCHES AND ARE FOR REF. ONLY.

JBL2365A