

Technical Manual

JBL JRX118S

SPECIFICATIONS



ACOUSTIC & ELECTRICAL SPECIFICATIONS:

- Nominal Impedance: 4 Ohms
- Power Capacity: 700W, Continuous Program
- Frequency Range: 38Hz – 300 Hz (–10dB)
- Sensitivity: 96dB, SPL (1 Watt at 1 Meter)
- Crossover Frequencies: 30Hz, HPF 24dB/80 –100Hz, LPF, 24dB

SYSTEM COMPONENTS:

- Cabinet: Enclosure (Not For Sale)
- Grille: 352838-001
- Low Frequency Transducer: 2043G , 460mm (18 in.) Cone Transducer
- DC Resistance: 2.6 ohm
- Crossover Network: 364249-001

AURAL SWEEP TEST SPECIFICATIONS:

- A. System Aural Sweep Test: 10.0V Input, 20 Hz to 1.2 kHz
- B. L.F. Aural Sweep Test: 10.0V Input, 20 Hz to 1.2 kHz

PHYSICAL SPECIFICATIONS:

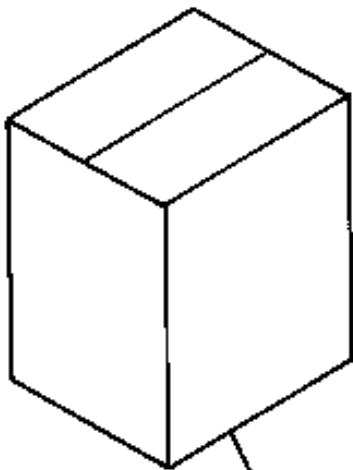
- Enclosure Dimensions: 597 x 516 x 559 mm D (23.5 x 20.3 x 22.0 in. D)
- Net Weight: 71 lb (32.2 kg.)

WARRANTY INFORMATION:

- Refer to Warranty Statement packed with each product.

PACKAGE

Warranty 59660
Spec Sheet 352947-001

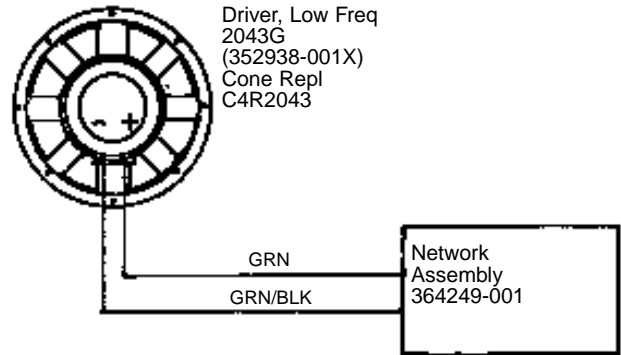


Carton
353295-003

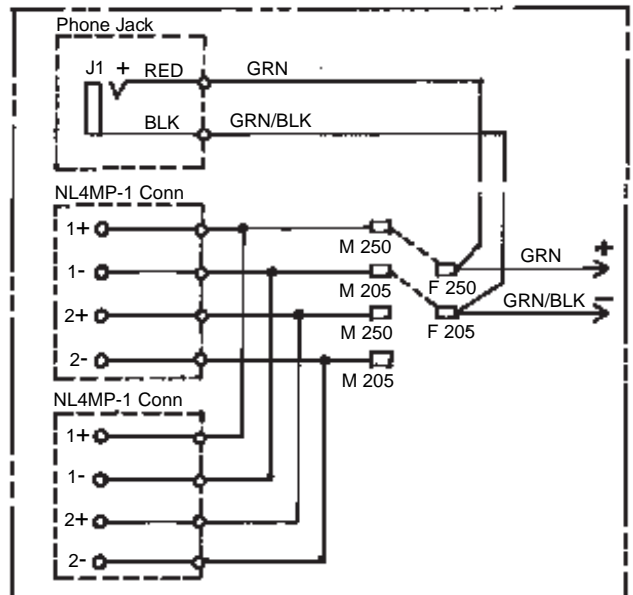
Filler (2)
352986-001

PKG, Microfoam (16)
49790P
20" x 18" sheets

WIRING DIAGRAM



NETWORK SCHEMATIC - (364249-001)



JBL JRX118S REV J

JBL JRX118S

COMPONENT EXPLODED VIEW

