

# Technical Manual



# JBL JRX212

## SPECIFICATIONS

### ACOUSTIC & ELECTRICAL SPECIFICATIONS:

- Nominal Impedance: 8 Ohms
- Power Capacity: 250W, 1000W Peak Power Capacity
- Frequency Response ( $\pm 3$  dB): 80 Hz – 18 kHz
- Frequency Range ( $-10$  dB): 60 Hz – 20 kHz
- Maximum SPL: 128 dB
- Crossover Frequency: 2.1 kHz

### SYSTEM COMPONENTS:

- Cabinet: Enclosure (Not For Sale)
- Grille: 5033399
- Low Frequency Driver: M112-8, 304.8mm (12in.) Cone Transducer
- D.C. Resistance: 5.2 ohms

### SYSTEM COMPONENTS: (CONT'D)

- High Frequency Driver: 2414H-C, 25 mm (1 in) exit compression driver mounted on Progressive Transition™ Waveguide
- D.C. Resistance: 4.80 ohm +/- 0.2 ohm

### AURAL SWEEP TEST SPECIFICATIONS:

- A. System Aural Sweep Test: 7.0V Input, 60 Hz to 20 kHz
- B. L.F. Aural Sweep Test: 6.0V Input, 20 Hz to 200 Hz
- C. H.F. Aural Sweep Test: 0.75V Input, 500 Hz to 1.5 kHz

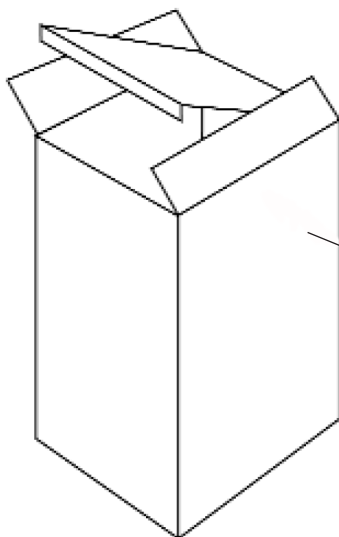
### PHYSICAL SPECIFICATIONS:

- Enclosure Dimensions: 584 mm x 399 mm x 325 mm (23 in x 15.7 in x 12.8 in)
- Net Weight: 19.5 kg (43 lb)

### WARRANTY INFORMATION:

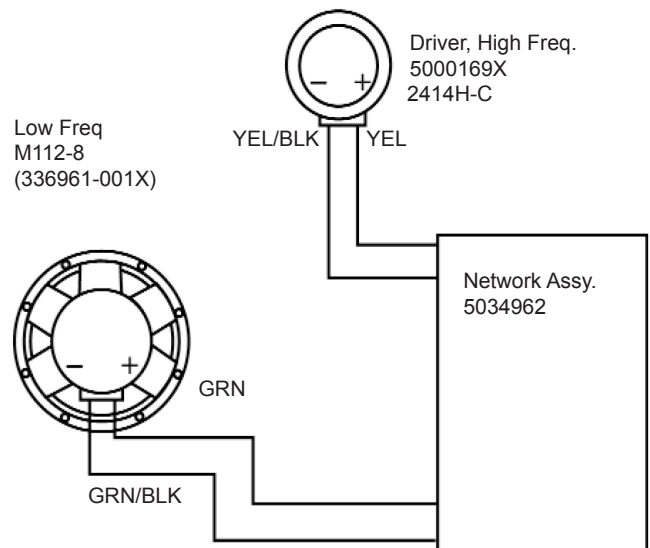
- Refer to Warranty Statement posted on line

## PACKAGE



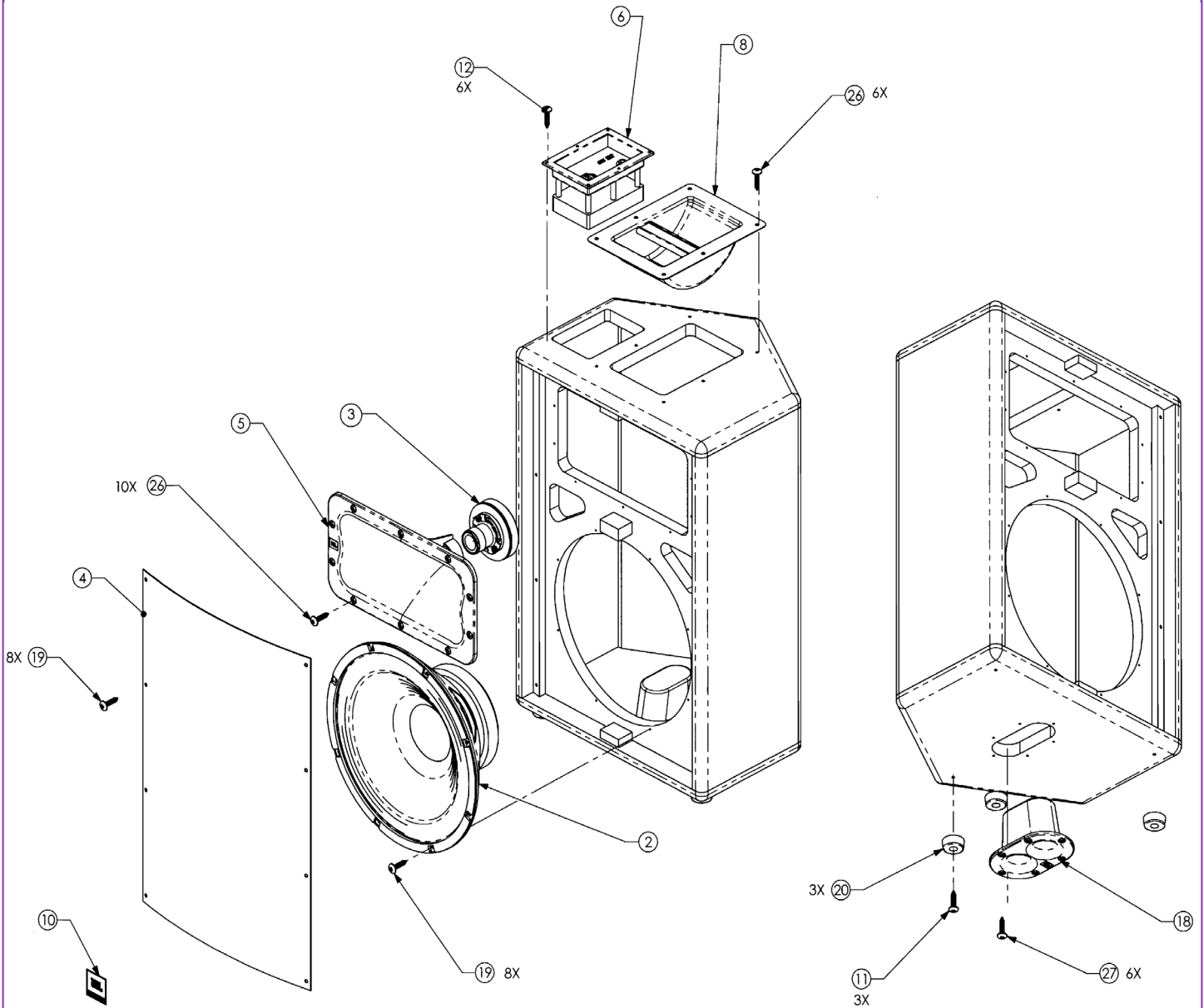
- Quick set-up guide 5034631
- Carton 5034629
- Filler (2) 339078-001
- Microfoam (2) 49790P

## WIRING DIAGRAM



# JBL JRX212

## COMPONENT EXPLODED VIEW



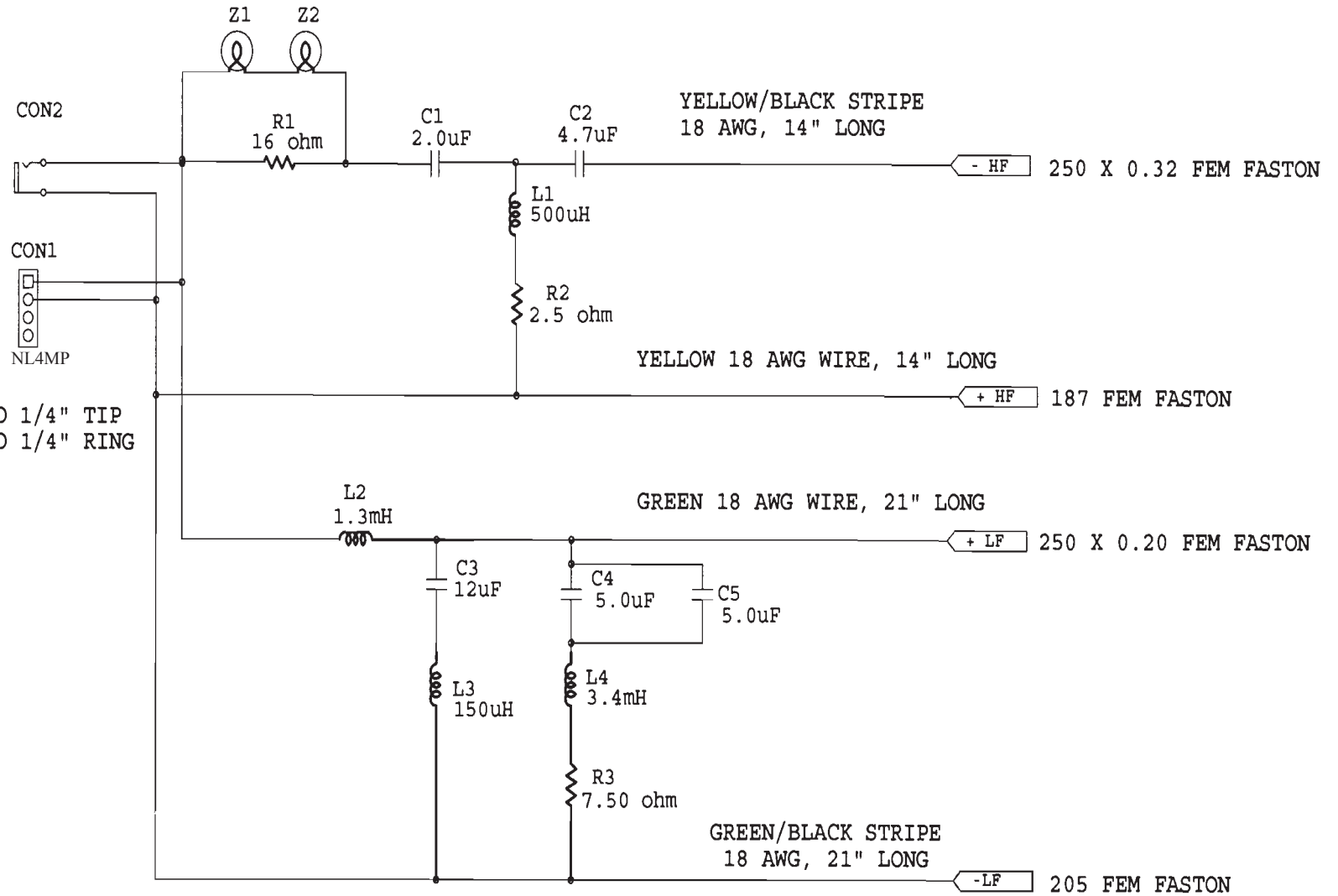
### COMPONENT PARTS LIST:

Item	Part No.	Qty	Description
2	336961-001X	1	M/I, M112-8
3	5000169X	1	M/I, 2414H-C
4	5033399	1	GRILLE
5	338800-001	1	HORN
6	5034962	1	NETWORK ASSY
8	339018-003	1	HANDLE ASSY, WITHOUT LABEL
10	5007401	1	LOGO BADGE
11	729-90001-16	3	SCR, #12X1, THR FORMING, FLT HD, PH, TY

Item	Part No.	Qty	Description
12	882-51110-12	6	SCR, 6 X 3/4,OV,PH,PTCL,BLK ZC,LCS
18	351256-001	1	DUAL POLE CUP
19	883-41110-16	16	SCR,8 X 1,PAN,PH,PB,BLK ZINC,LCS
20	924-00002-01	3	FOOT
26	883-41110-12	16	SCR,8 X 3/4,PAN,PH,PB,BLK ZINC,LCS
27	884-41110-16	6	SCR,10 X 1,PAN,PH,PB,BLK ZINC,LCS

# JBL JRX212

## NETWORK SCHEMATIC 5034962



NL4  
PIN +1 CONNECTED TO 1/4" TIP  
PIN -1 CONNECTED TO 1/4" RING  
PIN +2, -2 NC