

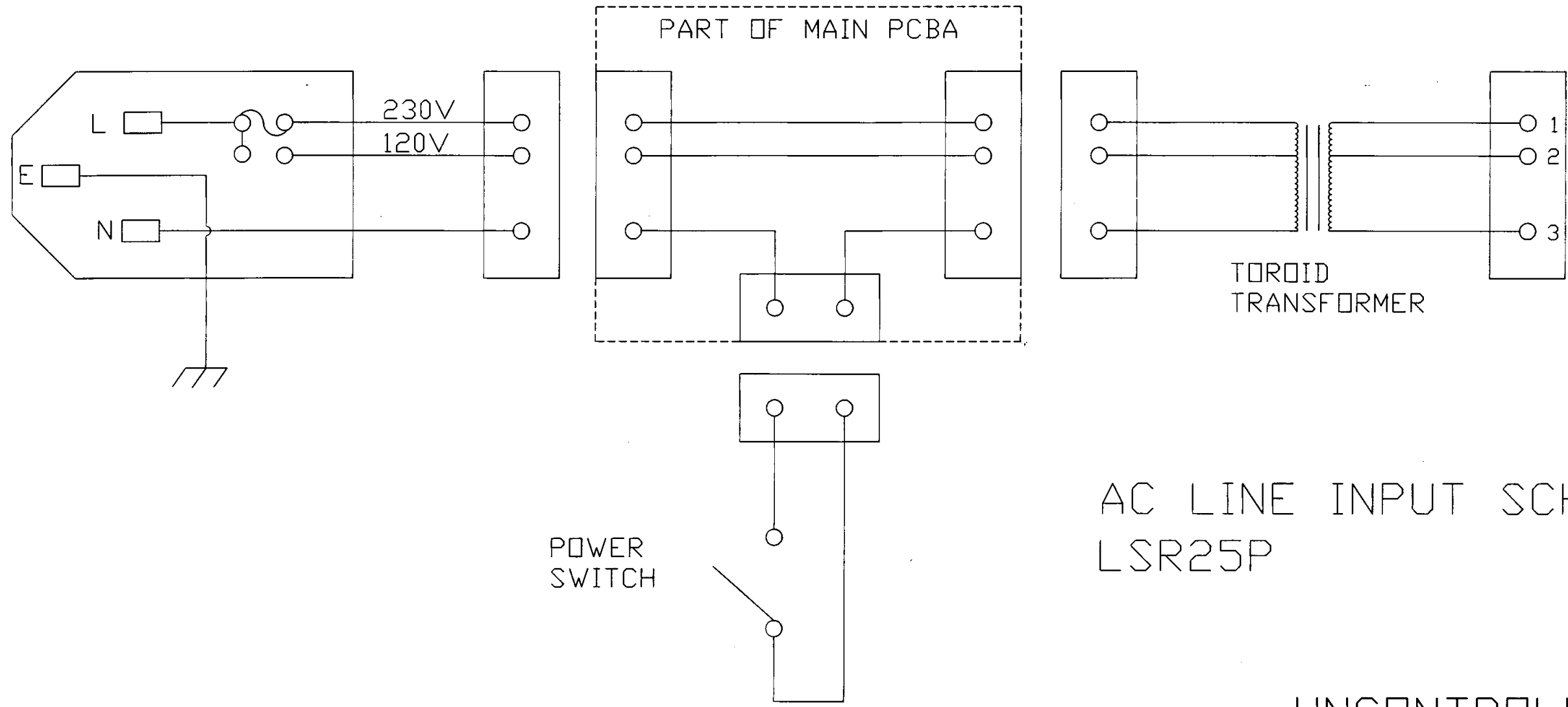
THESE DRAWINGS AND SPECIFICATIONS ARE THE PROPERTY OF JBL INCORPORATED THEY ARE ISSUED IN STRICT CONFIDENCE AND SHALL NOT BE REPRODUCED, COPIED, OR USED AS THE BASIS FOR MANUFACTURING OR SALE OF APPARATUS WITHOUT WRITTEN PERMISSION.

PART NO	DESCRIPTION
353285-001	AC LINE INPUT SCHEMATIC

REVISIONS					
CHG	LTR	DESCRIPTION	DRFT	CHK	DATE
26267	A	RELEASE FOR PRODUCTION	FL	AF	2/12/04

2/12/04

SCHURTER KEA
IEC INLET
FUSE & VOLTAGE SELECT



AC LINE INPUT SCHEMATIC
LSR25P

UNCONTROLLED COPY

NOTES: (UNLESS OTHERWISE SPECIFIED)

ITEM	PART NO.	DESCRIPTION	REMARKS/REF P/N'S
TOLERANCES UNLESS OTHERWISE SPECIFIED .XXX ± .005 INCH .XX ± .010 INCH X ± .020 INCH FRACTIONAL ± 1/32 ANGULAR ± 30'			
MODELS LSR25P		DRAWN BY: FL DESIGNER: [Signature] DATE: 02/12/04 DATE: 2/12/04 DRG: [Signature]	JBL Professional A Harman International Company Northridge, California 91329, U.S.A. TITLE: SCHEMATIC DRAWING NO: 353285 SCALE: N/A SHEET 1 OF 1