

Technical Manual

JBL LSR25P

SPECIFICATIONS



ACOUSTIC & ELECTRICAL SPECIFICATIONS:

- Power Capacity: 100 W – 50 HF
- Frequency Range: 56Hz – 22kHz (–6 dB)
- Sensitivity: +4 To XLR 96 dB SPL, *
-10 dB To RCA 96 dB SPL, *
- Crossover Frequency: 2.3 kHz

SYSTEM COMPONENTS:

- Cabinet: Die Cast Aluminum (Not For Sale)
- Grille: Steel Mesh For Woofer
- Low Frequency Transducer: 133mm (5-1/4 in) Woofer
124-10002-00
- Nominal Impedance: 8 ohms
- High Frequency Transducer: 25 mm (1 in.) Tweeter
123-00003-00
- Nominal Impedance: 4 ohms

* 1 Watt @ 1 Meter

SYSTEM COMPONENTS: (Cont'd)

- Crossover Network: N/A
- Fuse: At 120V Use 3 Amp
At 230V Use 1.5 Amp

AURAL SWEEP TEST SPECIFICATIONS:

- A. System Aural Sweep Test: 1.5V Input, 40 Hz to 22 kHz

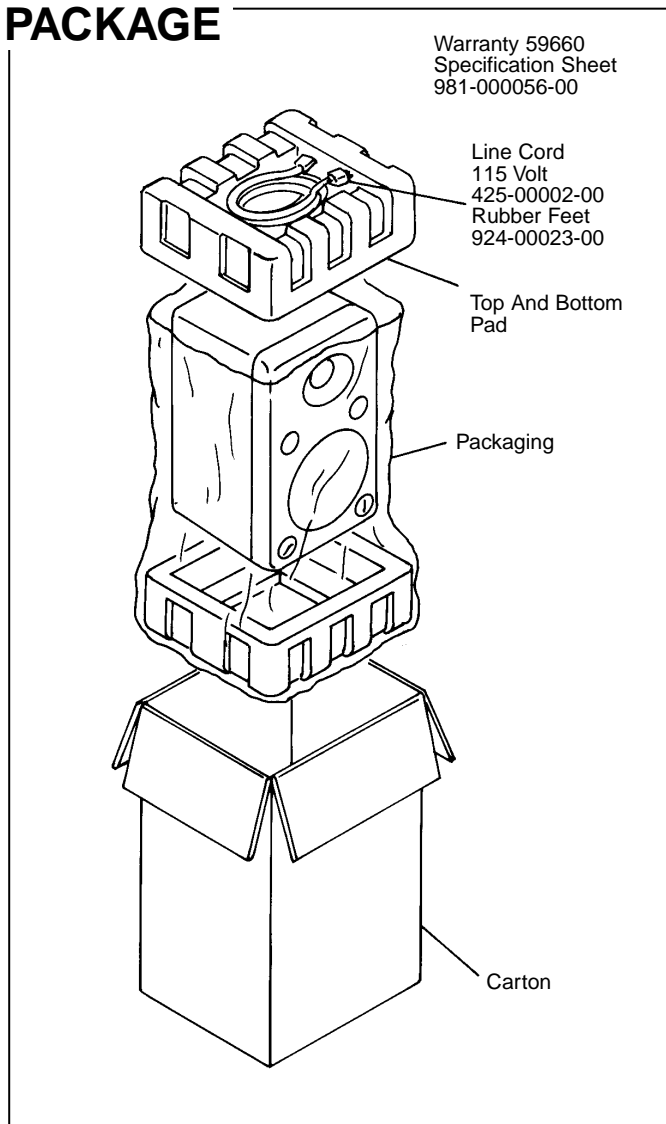
PHYSICAL SPECIFICATIONS:

- Enclosure Dimensions: 267mm x 179mm x 254mm D
(10.5 x 7.0 x 10.0 in. D)
- Shipping Weight: 23 lbs. (10.4 kg.)

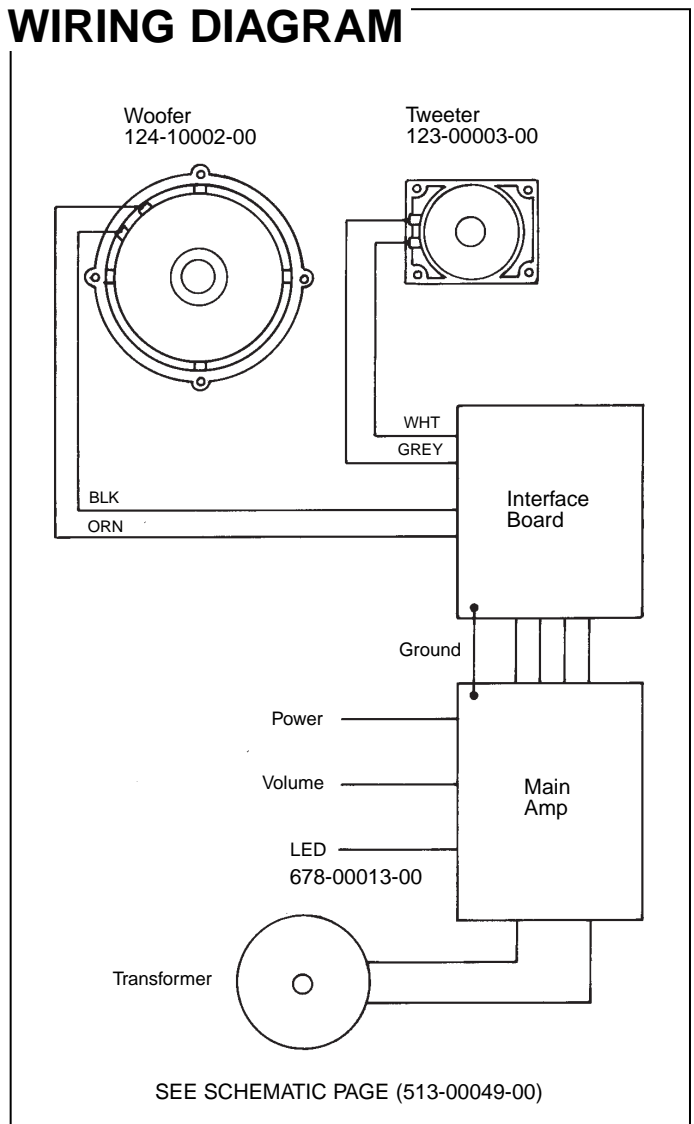
WARRANTY INFORMATION:

- Refer to Warranty Statement packed with each product.

PACKAGE



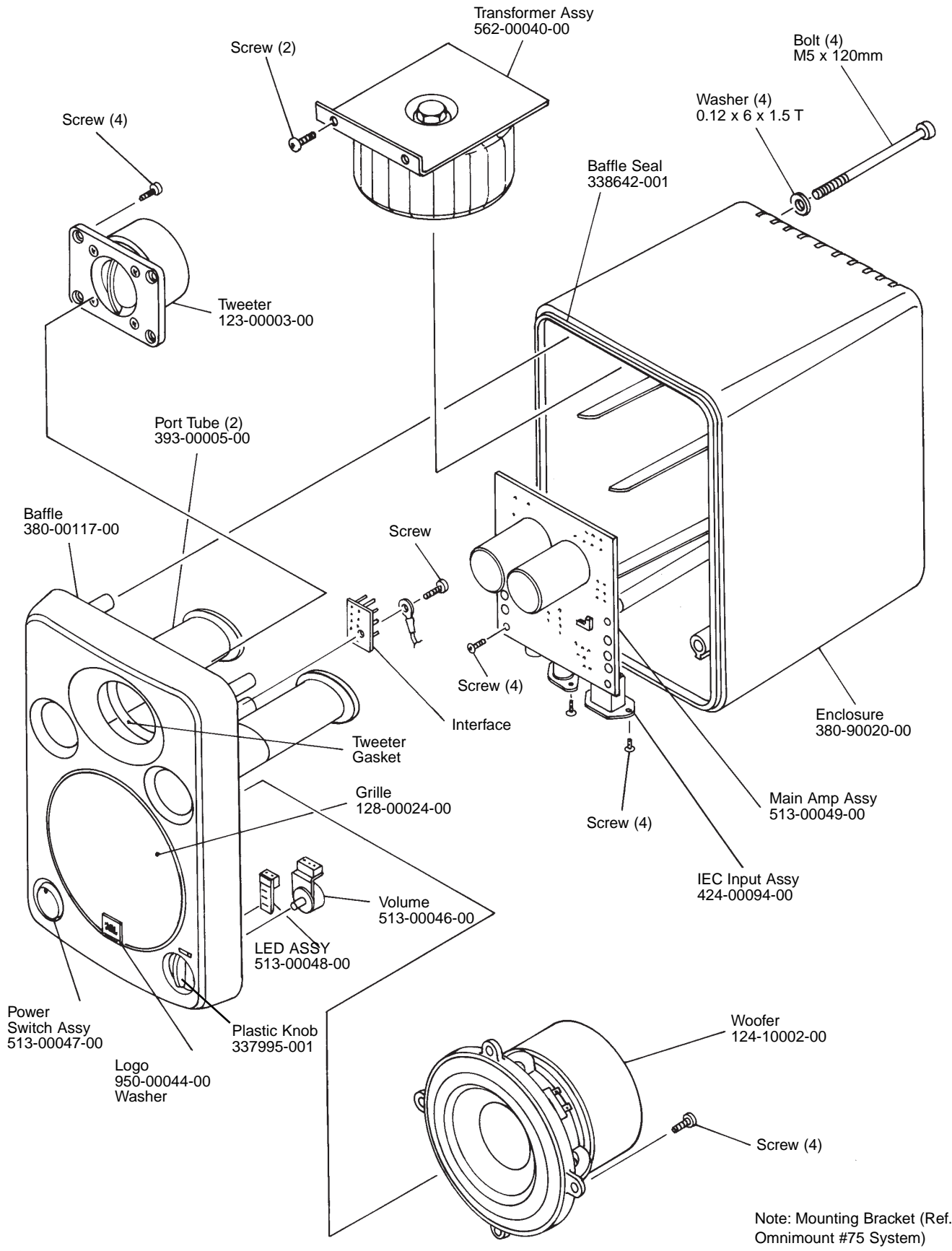
WIRING DIAGRAM



JBL LSR25P REV 1

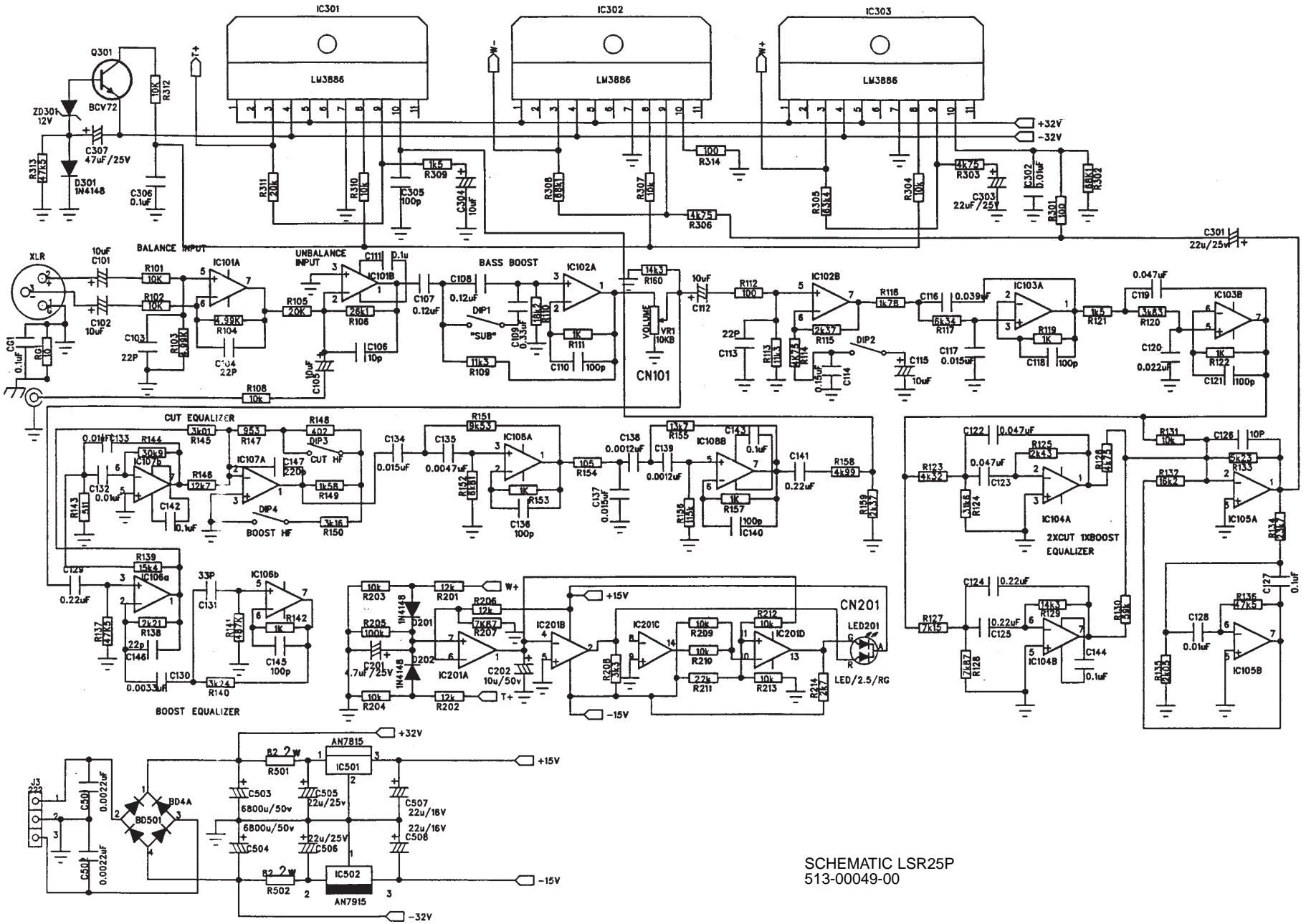
JBL LSR25P

COMPONENT EXPLODED VIEW



JBL LSR25P

Note: Mounting Bracket (Ref. Omnimount #75 System)



SCHEMATIC LSR25P
513-00049-00