

# Technical Manual

# JBL LSR32 L,R



## SPECIFICATIONS

### ACOUSTIC & ELECTRICAL SPECIFICATIONS:

- Nominal Impedance: 4 ohm
- Power Capacity: 200W RMS IEC Noise
- Frequency Range: 60 Hz – 20 kHz (+1,-1.5 dB)
- Sensitivity: 93 dB/2.83V/1m (90 dB/1W/1m)
- Crossover Frequencies: 250 Hz – 2.2 kHz

### SYSTEM COMPONENTS:

- Cabinet: (Not For Sale)
- Grille: N/A
- Low Frequency Transducer: 300mm (12 in.) Cone Transducer (252G)  
DC Resistance: 4.4 ohm ± 10% Copper Wire
- Mid Range Transducer: 125mm (5 in.) Cone Transducer (C500G)  
DC Resistance: 3.4 ohm ± 10% Copper Wire
- High Frequency Transducer: 25mm (1 in.) Titanium Composite Diaphragm (053Ti)  
DC Resistance: 3.5 ohm ± 10% Copper Wire

### SYSTEM COMPONENTS: (cont'd)

- Crossover Network 129-30003-00

### AURAL SWEEP TEST SPECIFICATIONS:

- A. System Aural Sweep Test: 10.0V Input, 10 Hz to 1 kHz
- B. System Aural Sweep Test: 3.0V Input, 1 kHz to 20 kHz
- C. L.F. Aural Sweep Test: 12.0V Input, 10 Hz to 1 kHz
- D. M.F. Aural Sweep Test: 5.0V Input, 100 Hz to 3 kHz
- E. H.F. Aural Sweep Test: 2.0V Input, 1.5 kHz to 20 kHz

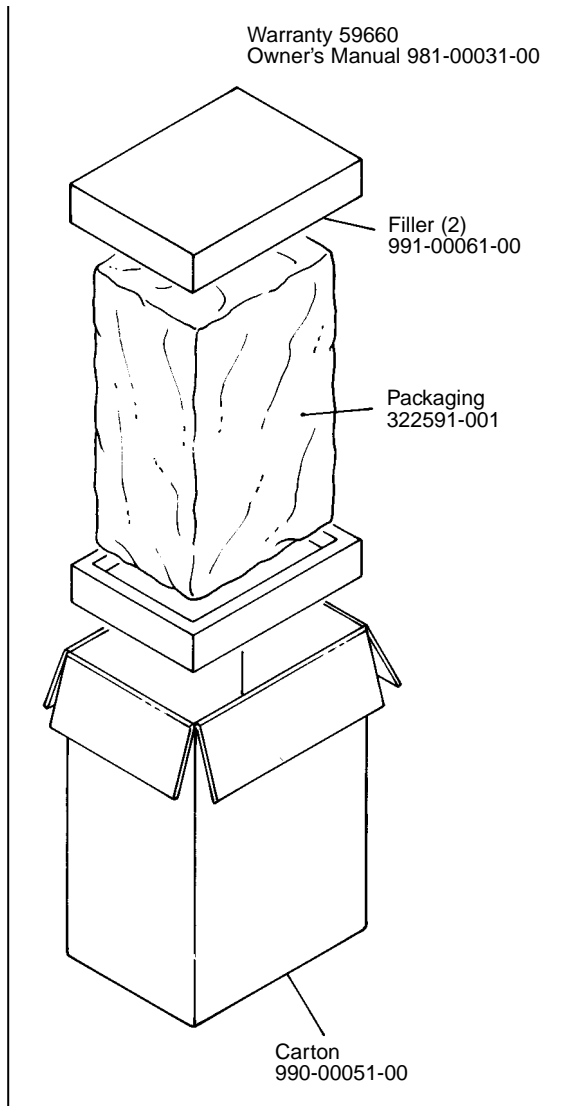
### PHYSICAL SPECIFICATIONS:

- Enclosure Dimensions: 635mm x 394mm x 291mm D (25.0 x 15.5 x 11.5 in. D)
- Shipping Weight: 47 lbs. (21.3 kg.)

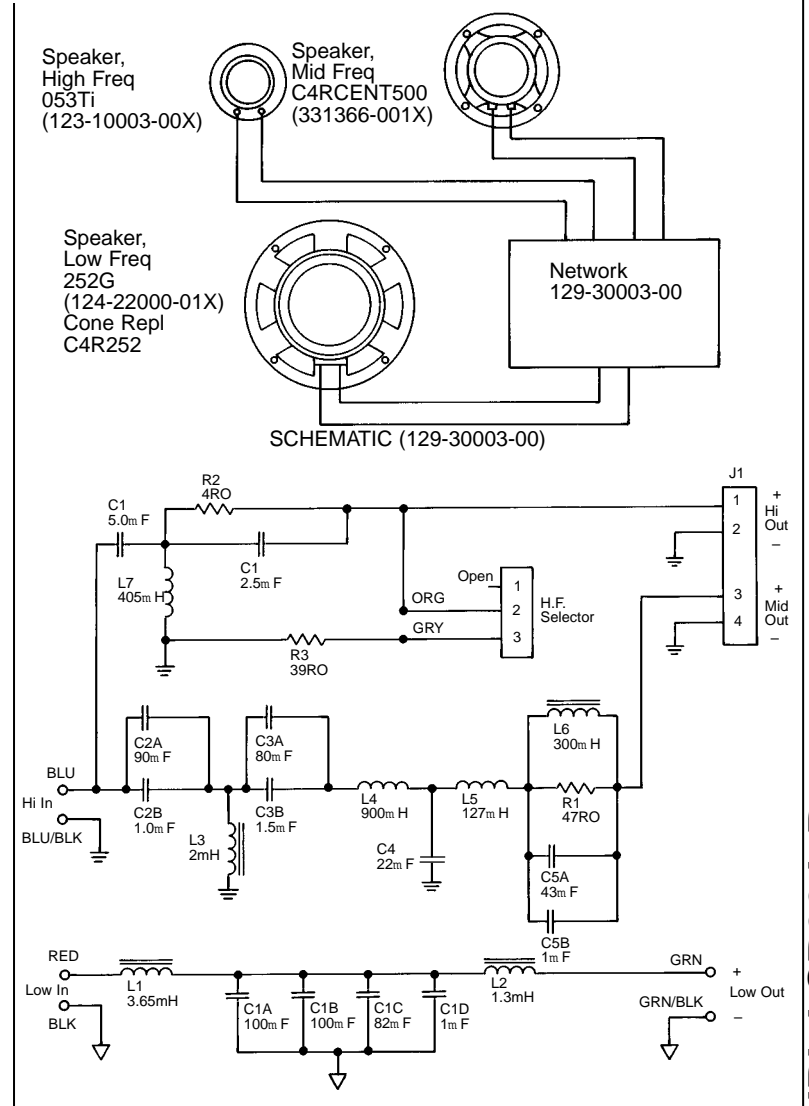
### WARRANTY INFORMATION:

- Refer to Warranty Statement packed with each product.

## PACKAGE



## WIRING DIAGRAM



JBL LSR32 L,R REV K

# JBL LSR32 L,R

## COMPONENT EXPLODED VIEW

