

# Technical Manual

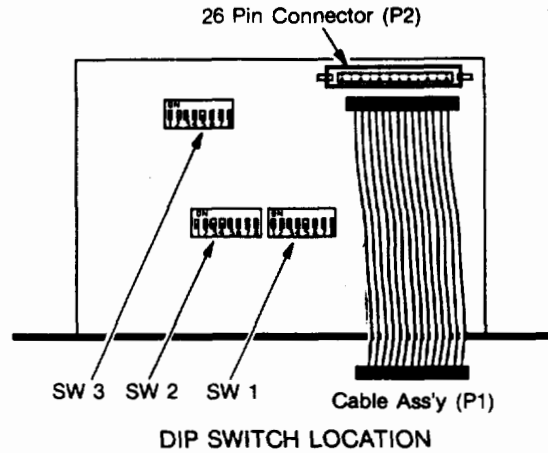
# JBL IM-12



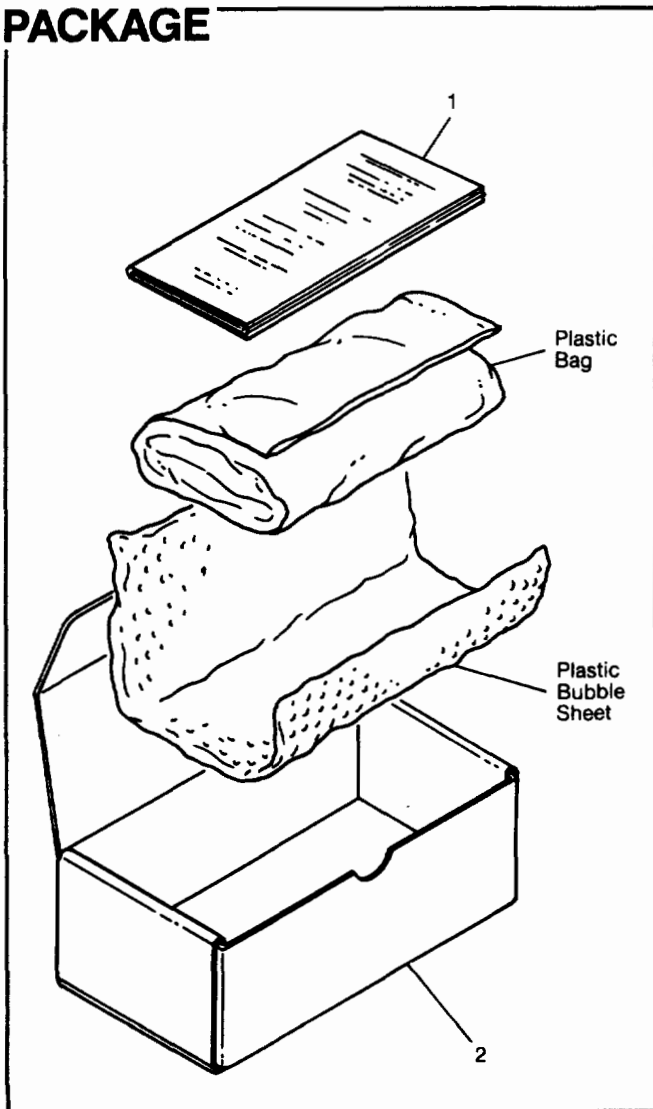
## SPECIFICATIONS

### MPA SERIES

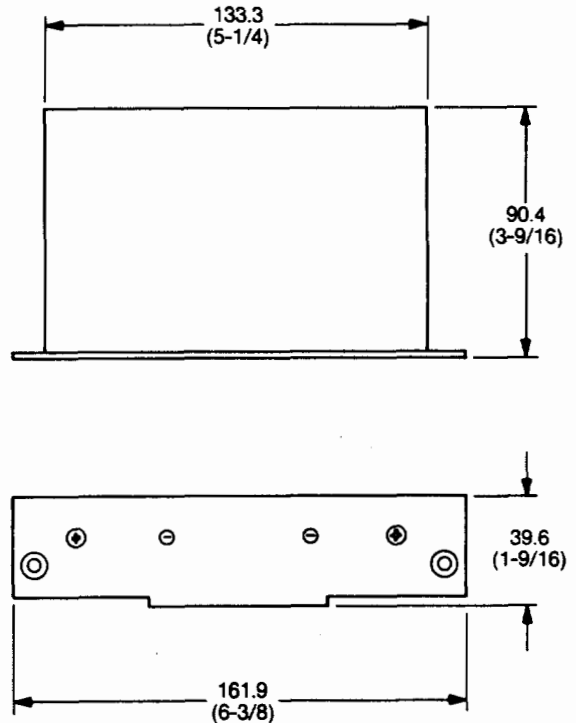
- Crossover Frequency: 500/800 Hz
- Crossover Slope: 24dB/Octave
- Subsonic Filter: 30/80 Hz
- Low Frequency Delay: 0/0.7/1.9mS
- High Frequency Limiter Range: to -19dB



## PACKAGE



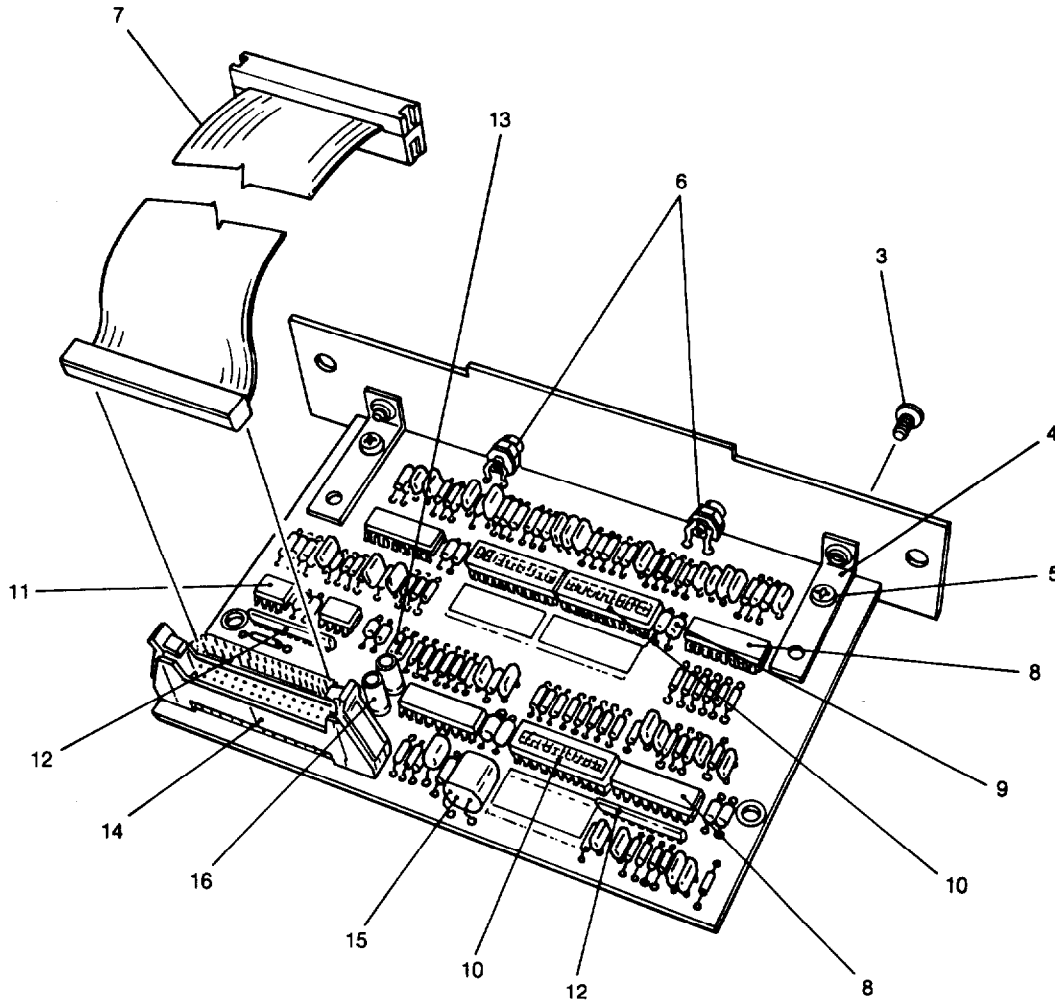
## GENERAL DIMENSIONS



NOTE: DIMENSIONS ARE IN mm AND ( ) INCHES AND ARE REF. ONLY.

# JBL IM-12

## COMPONENT EXPLODED VIEW



## COMPONENT PARTS LIST

| Item | Part No.     | Qty. | Description                     | Ref. Des.  |
|------|--------------|------|---------------------------------|--|
| 1    | TD-002758-00 | 1    | Owner's Manual, IM-12           |  |
| 2    | PM-004018-00 | 1    | Carton, IM Series               |  |
| 3    | SC-060041-PP | 2    | Screw, 6-32 x 1/4", PHP, Blk    |  |
| 4    | HW-060001-00 | 2    | Bracket, 6-32, Rt. Angle        |  |
| 5    | SC-040041-PP | 2    | Screw, 4-40 x 1/4", PHP, Blk    |  |
| 6    | PT-320000-BT | 2    | Res, Var, 20K, 0.3W             | VR161, VR177   |
| 7    | WC-000017-00 | 1    | Cable Assy, 26p, M-F            | P1   |
| 8    | IC-000074-OP | 4    | IC, quad op amp, TL074          | U2 U3 U4 U5  |
| 9    | CA-410050-BD | 10   | Cap, cer, 0.1 $\mu$ F, 50V, 10% | C144, C145, C146, C147, C148, C149, C150, C151, C152, C153, C154, C155 |

| Item | Part No.     | Qty. | Description                    | Ref. Des.              |
|------|--------------|------|--------------------------------|------------------------|
| 10   | SW-000008-DS | 3    | DIP Switch, 8p                 | S1, S2, S3             |
| 11   | IC-000021-00 | 2    | IC, dual op amp, NE5532        | U1, U6                 |
| 12   | RN-210002-BM | 2    | Res Ntwk, 8p SIP, 10K, 1%      | R104, R114             |
| 13   | QD-004148-DX | 4    | Diode Switch, D035, 75V, 75mA  | D102, D103, D104, D105 |
| 14   | CO-000057-CO | 1    | 26p Header/Locking std.        | P2                     |
| 15   | QD-000009-VT | 1    | Vactrol VTL5C4                 | LDR1                   |
| 16   | CA-610035-BE | 2    | Cap, Alum El., 10 $\mu$ F, 35V | C158, C159             |
| 17   |              |      |                                |                        |
| 18   |              |      |                                |                        |
| 19   |              |      |                                |                        |