

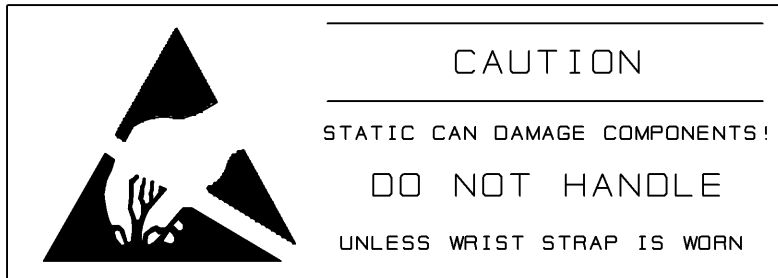
REVISION HISTORY

E.C.N.	REV	DESCRIPTION	DATE	APPROVED			
				DWN	CHK	CM	PE
	A	INITIAL RELEASE DERIVED FROM 133204-6 REV 1 NO CHANGES	10-22-01	TRW	N/A	JLS	TRW

UNLESS OTHERWISE SPECIFIED, THIS PRINTED WIRING ASSEMBLY SHALL MEET THE SPECIFICATION DESCRIBED IN IPC-A-610_ CLASS 2 STANDARDS.

NOTES:

1. PRINTED WIRING BOARD PART NUMBER 133203-6.
2. SWITCHES S1 AND S2 MUST BE PLACED IN THE ORIENTATION SHOWN ON THE COMPONENT MAP WITH THE CENTER RIDGE FACING TOWARD J1 AND J2.
3. POSITION COMPONENTS AS SHOWN ON COMPONENT MAPS.
4. THE PRINTED WIRING ASSEMBLY PART NUMBER FOR THIS ASSEMBLY SHALL BE MARKED ON THE PRINTED WIRING BOARD AND SHALL BE PERMANENT.
5. PWA NUMBER STICKER PLACED COMPONENT SIDE IN LOCATION SHOWN.
6. ADD 101016-1 BARCODE LABEL IN LOCATION SHOWN.
7. TO INSTALL HW2 AND HW3 (C 9387-9) PRESS RIVET IN FIRMLY ON COMPONENT SIDE THEN PRESS IN SPREADER.



THESE DRAWINGS AND SPECIFICATIONS ARE THE PROPERTY OF CROWN INTERNATIONAL, INC. AND SHALL NOT BE REPRODUCED, COPIED, OR USED AS THE BASIS FOR THE MANUFACTURE OR SALE OF APPARATUS OR DEVICES WITHOUT PERMISSION.				UNCONTROLLED			
				UNLESS OTHERWISE MARKED IN RED INK BY CM AS A CONTROLLED COPY, COPIES OF THESE DOCUMENTS INCLUDING ASSOCIATED ELECTRONIC REPRODUCTIONS ARE FOR REFERENCE ONLY.			
DISTRIBUTION		DWN	TRW	10-22-01			
K		CHK	N/A				
FILENAME		CM	JLS	11-01-01			
133204-6_A_01.PCB		PE	TRW	10-22-01			
TOLERANCE UNLESS OTHERWISE SPECIFIED							
.00 = ±.02"							
.000 = ±.010"							
DRILLS = ±.003"							
DO NOT SCALE DRAWING				SIZE	DWG NO.	REV	
				A	133204-6	A	
				SCALE	PROJ NO.	SHEET	
				NONE	MD459P0	1 OF 7	



1718 W. MISHAWAKA RD.
ELKHART IN, 46517
PHONE (219) 294-8000
WWW.CROWNINTL.COM

TITLE
PWA, CJ2000B I/O

PARTS LIST

C.P.N.	DESCRIPTION	QTY	REFERENCE DESIGNATION
A10374-2	14P UNIV EJECT HDR RIGHT ANG	1	J5
A10374-3	16P UNIV EJECT HDR RIGHT ANG	1	J9
A11368-10021	10K 1/10W 1% SMD 0805 T/R	22	R1, R2, R3, R4, R5, R10, R11, R12, R13, R14, R15, R26, R27, R28, R29, R30, R41, R42, R43, R46, R48, R49
A11368-10531	105KOHM .1W 1% 0805 T/R	1	R17
A11368-11821	11.8K 1% 0805 RES T/R	1	R16
A11368-12121	12.1KOHM .1W 1% 0805 T/R	2	R8, R33
A11368-14321	14.3K 0.10W 1% MF 0805	2	R9, R34
A11368-20011	2.0K, 0.10W 1% MF 0805	4	R51, R52, R54, R55
A11368-34821	34.8K 1% 0805 RES T/R	2	R7, R32
A11368-49911	4.99K 1/10W 1% SMD 0805 T/R	7	R6, R23, R24, R25, R31, R40, R45
A11368-49921	49.9KOHM .1W 1% CHIP 0805	4	R18, R20, R21, R22
A11368-75R01	75.0HM 1/10W 1% SMD 0805 T/R	4	R38, R39, R44, R47
A11368-90921	90.9K, 0.10W 1% MF 0805	1	R19
A11369-120K2	12PF 50V 10% NPO 0805 T/R	14	C3, C4, C5, C18, C19, C20, C43, C44, C45, C46, C47, C48, C49, C50
A11371-1501	15 OHM .1W 5% 0805 T/R	2	R36, R37
A11427-104K2	.1UF 50V CHIP CAP 10% 0805 X7R	10	C33, C34, C35, C36, C37, C38, C39, C40, C41, C42
C 9012-3	OP AMP, QUAD LO NOISE MC33079D	5	U1, U2, U3, U4, U5
C 9387-9	PLASTI-RIVET, .156 2 PRONG BLK	2	HW2, HW3
101016-1	LBL, BARCODE	1	HW1
102438-221K2	220PF 200V 10% NPO 0805 T/R	2	C28, C32
126539-1	10UF 16V 5.5MM HIGH SMD	4	C26, C27, C30, C31
126929-1	TRS/XLR, 1/4" COMBO PCB VERT	2	J1, J2
126985-2	JACK, 4POLE PWB MT SPK ON M2.9	1	J6
127064-1	TEST POINT, SMT 1206	2	TP1, TP2
128113-1	CAP, 0.1UF 16V FILM 1210 SMD	10	C6, C7, C8, C9, C10, C11, C21, C22, C23, C24
131036-1	POT, 5KOHM STEREO VERT PC MNT	2	R100, R200
131399-1	CAP, .047UF 16V 5% FILM SMT	1	C13
131937-1	.018UF 16V 5% FILM CAP 1206	1	C14
131939-1	.022UF 16V 5% FILM CAP 1206	1	C12
132156-1	0.033UF 16V 5% FILM CAP 1206	1	C15
132168-1	SWITCH, 4PDT PUSH PCB MNT	2	S1, S2
132224-1	XLR, 3PIN MALE VERT PWB MNT #2	2	J3, J4
132675-1	CONN, 8PIN MATE N LOK RA	1	J8
133198-1	HDR, 2POS 2MM CTR SGL ROW	1	J7
133203-6	PWB, CJ2000 I/O	1	1
133274-1	LED, DOMED RED/ORN SMT	5	D2, D3, D4, D5, D7
133275-1	LED, DOMED GRN SMT	2	D1, D6
133509-1	BLK WIRE	1	W2
133510-1	BLK/WHT WIRE	1	W1
133658-1	HDR, 2P R/A SHROUDED .1 CTR	1	J10

UNCONTROLLED

UNLESS OTHERWISE MARKED IN RED INK BY CM AS A CONTROLLED COPY, COPIES OF THESE DOCUMENTS INCLUDING ASSOCIATED ELECTRONIC REPRODUCTIONS ARE FOR REFERENCE ONLY.

THESE DRAWINGS AND SPECIFICATIONS ARE THE PROPERTY OF CROWN INTERNATIONAL, INC. AND SHALL NOT BE REPRODUCED, COPIED, OR USED AS THE BASIS FOR THE MANUFACTURE OR SALE OF APPARATUS OR DEVICES WITHOUT PERMISSION.

SIZE A	DWG NO. 133204-6	REV A
SCALE NONE	PROJ NO. MD459P0	SHEET 2 OF 7

PARTS LIST

REF DES	C.P.N.	DESCRIPTION	MAP LOC.
C3	A11369-120K2	12PF 50V 10% NPO 0805 T/R	A 9
C4	A11369-120K2	12PF 50V 10% NPO 0805 T/R	A 9
C5	A11369-120K2	12PF 50V 10% NPO 0805 T/R	A 9
C6	128113-1	CAP, 0.1UF 16V FILM 1210 SMD	A 8
C7	128113-1	CAP, 0.1UF 16V FILM 1210 SMD	A 8
C8	128113-1	CAP, 0.1UF 16V FILM 1210 SMD	A 9
C9	128113-1	CAP, 0.1UF 16V FILM 1210 SMD	B 9
C10	128113-1	CAP, 0.1UF 16V FILM 1210 SMD	B 8
C11	128113-1	CAP, 0.1UF 16V FILM 1210 SMD	B 8
C12	131939-1	.022UF 16V 5% FILM CAP 1206	B 8
C13	131399-1	CAP, .047UF 16V 5% FILM SMT	B 8
C14	131937-1	.018UF 16V 5% FILM CAP 1206	B 8
C15	132156-1	0.033UF 16V 5% FILM CAP 1206	C 8
C18	A11369-120K2	12PF 50V 10% NPO 0805 T/R	C 9
C19	A11369-120K2	12PF 50V 10% NPO 0805 T/R	C 9
C20	A11369-120K2	12PF 50V 10% NPO 0805 T/R	C 9
C21	128113-1	CAP, 0.1UF 16V FILM 1210 SMD	C 8
C22	128113-1	CAP, 0.1UF 16V FILM 1210 SMD	C 8
C23	128113-1	CAP, 0.1UF 16V FILM 1210 SMD	C 9
C24	128113-1	CAP, 0.1UF 16V FILM 1210 SMD	C 9
C26	126539-1	10UF 16V 5.5MM HIGH SMD	B 7
C27	126539-1	10UF 16V 5.5MM HIGH SMD	B 8
C28	102438-221K2	220PF 200V 10% NPO 0805 T/R	B 7
C30	126539-1	10UF 16V 5.5MM HIGH SMD	D 9
C31	126539-1	10UF 16V 5.5MM HIGH SMD	D 9
C32	102438-221K2	220PF 200V 10% NPO 0805 T/R	C 7
C33	A11427-104K2	.1UF 50V CHIP CAP 10% 0805 X7R	A 9
C34	A11427-104K2	.1UF 50V CHIP CAP 10% 0805 X7R	A 9
C35	A11427-104K2	.1UF 50V CHIP CAP 10% 0805 X7R	B 8
C36	A11427-104K2	.1UF 50V CHIP CAP 10% 0805 X7R	B 8
C37	A11427-104K2	.1UF 50V CHIP CAP 10% 0805 X7R	C 9
C38	A11427-104K2	.1UF 50V CHIP CAP 10% 0805 X7R	C 9
C39	A11427-104K2	.1UF 50V CHIP CAP 10% 0805 X7R	A 8
C40	A11427-104K2	.1UF 50V CHIP CAP 10% 0805 X7R	A 8
C41	A11427-104K2	.1UF 50V CHIP CAP 10% 0805 X7R	B 7
C42	A11427-104K2	.1UF 50V CHIP CAP 10% 0805 X7R	B 7
C43	A11369-120K2	12PF 50V 10% NPO 0805 T/R	B 8
C44	A11369-120K2	12PF 50V 10% NPO 0805 T/R	B 9
C45	A11369-120K2	12PF 50V 10% NPO 0805 T/R	C 9
C46	A11369-120K2	12PF 50V 10% NPO 0805 T/R	A 7
C47	A11369-120K2	12PF 50V 10% NPO 0805 T/R	A 7
C48	A11369-120K2	12PF 50V 10% NPO 0805 T/R	B 7
C49	A11369-120K2	12PF 50V 10% NPO 0805 T/R	B 7
C50	A11369-120K2	12PF 50V 10% NPO 0805 T/R	C 7
D1	133275-1	LED, DOMED GRN SMT	A 12
D2	133274-1	LED, DOMED RED/ORN SMT	A 12
D3	133274-1	LED, DOMED RED/ORN SMT	B 12

UNCONTROLLED

UNLESS OTHERWISE MARKED IN RED INK BY CM AS A CONTROLLED COPY, COPIES OF THESE DOCUMENTS INCLUDING ASSOCIATED ELECTRONIC REPRODUCTIONS ARE FOR REFERENCE ONLY.

THESE DRAWINGS AND SPECIFICATIONS ARE THE PROPERTY OF CROWN INTERNATIONAL, INC. AND SHALL NOT BE REPRODUCED, COPIED, OR USED AS THE BASIS FOR THE MANUFACTURE OR SALE OF APPARATUS OR DEVICES WITHOUT PERMISSION.

SIZE A	DWG NO. 133204-6	REV A
SCALE NONE	PROJ NO. MD459P0	SHEET 3 OF 7

PARTS LIST

REF DES	C.P.N.	DESCRIPTION	MAP LOC.
D4	133274-1	LED, DOMED RED/ORN SMT	B 11
D5	133274-1	LED, DOMED RED/ORN SMT	A 11
D6	133275-1	LED, DOMED GRN SMT	A 11
D7	133274-1	LED, DOMED RED/ORN SMT	C 1
HW1	101016-1	LBL, BARCODE	C 2
HW2	C 9387-9	PLASTI-RIVET, .156 2 PRONG BLK	D 3
HW2	C 9387-9	PLASTI-RIVET, .156 2 PRONG BLK	D 5
J1	126929-1	TRS/XLR, 1/4" COMBO PCB VERT	A 10
J2	126929-1	TRS/XLR, 1/4" COMBO PCB VERT	C 10
J3	132224-1	XLR, 3PIN MALE VERT PWB MNT #2	A 6
J4	132224-1	XLR, 3PIN MALE VERT PWB MNT #2	C 6
J5	A10374-2	14P UNIV EJECT HDR RIGHT ANG	D 8
J6	126985-2	JACK, 4POLE PWB MT SPK ON M2.9	C 4
J7	133198-1	HDR, 2POS 2MM CTR SGL ROW	D 12
J8	132675-1	CONN, 8PIN MATE N LOK RA	D 4
J9	A10374-3	16P UNIV EJECT HDR RIGHT ANG	B 13
J10	133658-1	HDR, 2P R/A SHROUDED .1CTR	D 11
R1	A11368-10021	10K 1/10W 1% SMD 0805 T/R	C 7
R2	A11368-10021	10K 1/10W 1% SMD 0805 T/R	A 9
R3	A11368-10021	10K 1/10W 1% SMD 0805 T/R	A 9
R4	A11368-10021	10K 1/10W 1% SMD 0805 T/R	A 9
R5	A11368-10021	10K 1/10W 1% SMD 0805 T/R	A 9
R6	A11368-49911	4.99K 1/10W 1% SMD 0805 T/R	A 9
R7	A11368-34821	34.8K 1% 0805 RES T/R	A 9
R8	A11368-12121	12.1KOHM .1W 1% 0805 T/R	B 9
R9	A11368-14321	14.3K 0.10W 1% MF 0805	B 9
R10	A11368-10021	10K 1/10W 1% SMD 0805 T/R	B 9
R11	A11368-10021	10K 1/10W 1% SMD 0805 T/R	B 9
R12	A11368-10021	10K 1/10W 1% SMD 0805 T/R	B 9
R13	A11368-10021	10K 1/10W 1% SMD 0805 T/R	B 8
R14	A11368-10021	10K 1/10W 1% SMD 0805 T/R	B 8
R15	A11368-10021	10K 1/10W 1% SMD 0805 T/R	B 8
R16	A11368-11821	11.8K 1% 0805 RES T/R	B 8
R17	A11368-10531	105KOHM .1W 1% 0805 T/R	B 8
R18	A11368-49921	49.9KOHM .1W 1% CHIP 0805	B 8
R19	A11368-90921	90.9K, 0.10W 1% MF 0805	B 8
R20	A11368-49921	49.9KOHM .1W 1% CHIP 0805	B 8
R21	A11368-49921	49.9KOHM .1W 1% CHIP 0805	C 8
R22	A11368-49921	49.9KOHM .1W 1% CHIP 0805	B 8
R23	A11368-49911	4.99K 1/10W 1% SMD 0805 T/R	C 8
R24	A11368-49911	4.99K 1/10W 1% SMD 0805 T/R	C 8
R25	A11368-49911	4.99K 1/10W 1% SMD 0805 T/R	C 9
R26	A11368-10021	10K 1/10W 1% SMD 0805 T/R	C 7
R27	A11368-10021	10K 1/10W 1% SMD 0805 T/R	C 9
R28	A11368-10021	10K 1/10W 1% SMD 0805 T/R	C 9
R29	A11368-10021	10K 1/10W 1% SMD 0805 T/R	C 9
R30	A11368-10021	10K 1/10W 1% SMD 0805 T/R	C 9
R31	A11368-49911	4.99K 1/10W 1% SMD 0805 T/R	C 9
R32	A11368-34821	34.8K 1% 0805 RES T/R	C 9
R33	A11368-12121	12.1KOHM .1W 1% 0805 T/R	C 9

UNCONTROLLED

UNLESS OTHERWISE MARKED IN RED INK BY CM AS A CONTROLLED COPY, COPIES OF THESE DOCUMENTS INCLUDING ASSOCIATED ELECTRONIC REPRODUCTIONS ARE FOR REFERENCE ONLY.

THESE DRAWINGS AND SPECIFICATIONS ARE THE PROPERTY OF CROWN INTERNATIONAL, INC. AND SHALL NOT BE REPRODUCED, COPIED, OR USED AS THE BASIS FOR THE MANUFACTURE OR SALE OF APPARATUS OR DEVICES WITHOUT PERMISSION.

SIZE A	DWG NO. 133204-6	REV A
SCALE NONE	PROJ NO. MD459P0	SHEET 4 OF 7

PARTS LIST

REF DES	C.P.N.	DESCRIPTION	MAP LOC.
R34	A11368-14321	14.3K 0.10W 1% MF 0805	C 9
R36	A11371-1501	15 OHM .1W 5% 0805 T/R	D 7
R37	A11371-1501	15 OHM .1W 5% 0805 T/R	D 7
R38	A11368-75R01	75.OHM 1/10W 1% SMD 0805 T/R	A 7
R39	A11368-75R01	75.OHM 1/10W 1% SMD 0805 T/R	A 7
R40	A11368-49911	4.99K 1/10W 1% SMD 0805 T/R	A 7
R41	A11368-10021	10K 1/10W 1% SMD 0805 T/R	A 7
R42	A11368-10021	10K 1/10W 1% SMD 0805 T/R	A 8
R43	A11368-10021	10K 1/10W 1% SMD 0805 T/R	A 7
R44	A11368-75R01	75.OHM 1/10W 1% SMD 0805 T/R	B 7
R45	A11368-49911	4.99K 1/10W 1% SMD 0805 T/R	B 7
R46	A11368-10021	10K 1/10W 1% SMD 0805 T/R	B 7
R47	A11368-75R01	75.OHM 1/10W 1% SMD 0805 T/R	B 7
R48	A11368-10021	10K 1/10W 1% SMD 0805 T/R	B 7
R49	A11368-10021	10K 1/10W 1% SMD 0805 T/R	B 7
R51	A11368-20011	2.0K, 0.10W 1% MF 0805	B 7
R52	A11368-20011	2.0K, 0.10W 1% MF 0805	B 7
R54	A11368-20011	2.0K, 0.10W 1% MF 0805	C 7
R55	A11368-20011	2.0K, 0.10W 1% MF 0805	C 7
R100	131036-1	POT, 5KOHM STEREO VERT PC MNT	C 11
R200	131036-1	POT, 5KOHM STEREO VERT PC MNT	C 12
S1	132168-1	SWITCH, 4PDT PUSH PCB MNT	B 9
S2	132168-1	SWITCH, 4PDT PUSH PCB MNT	B 9
TP1	127064-1	TEST POINT, SMT 1206	D 6
TP2	127064-1	TEST POINT, SMT 1206	D 6
U1	C 9012-3	OP AMP, QUAD LO NOISE MC33079D	A 9
U2	C 9012-3	OP AMP, QUAD LO NOISE MC33079D	B 8
U3	C 9012-3	OP AMP, QUAD LO NOISE MC33079D	C 9
U4	C 9012-3	OP AMP, QUAD LO NOISE MC33079D	A 7
U5	C 9012-3	OP AMP, QUAD LO NOISE MC33079D	B 7
W1	133510-1	WIRE, BLK/WHT AWG 14 FAST X 5.75	C 3
W2	133509-1	WIRE, BLK AWG 14 FAST X 5.25	C 3
1	133203-6	PWB, CJ2000 I/O	

UNCONTROLLED

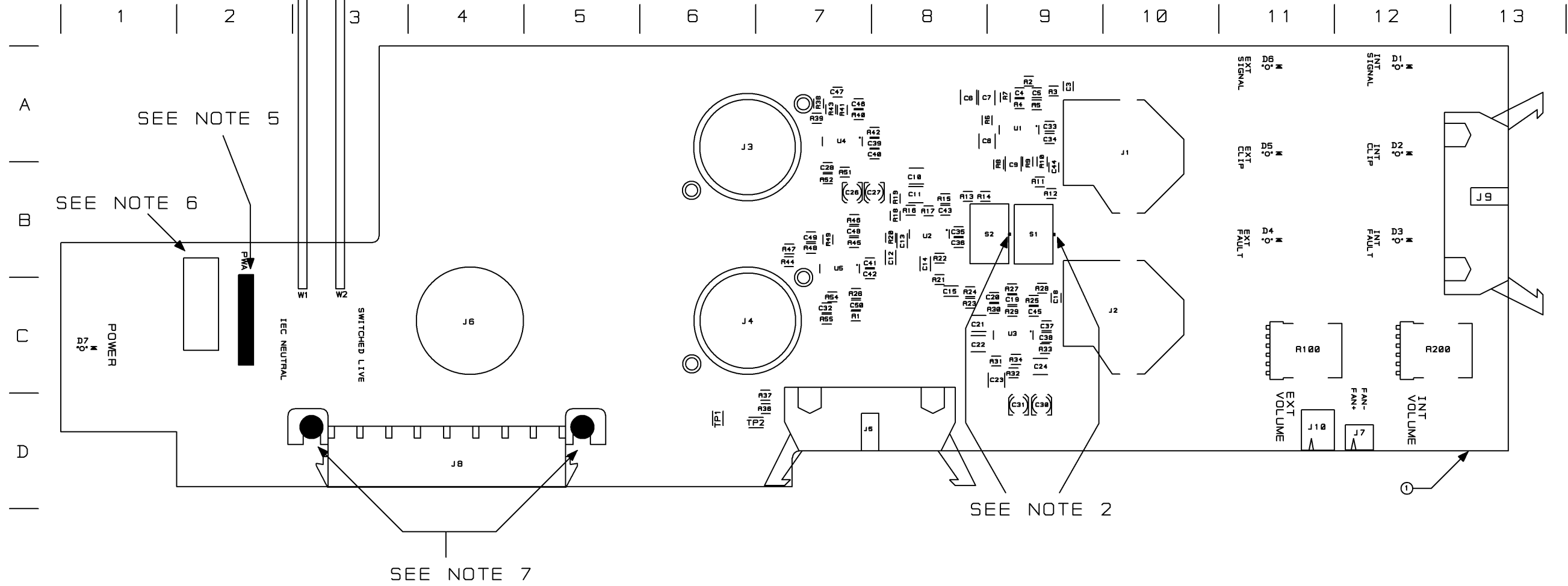
UNLESS OTHERWISE MARKED IN RED INK BY CM AS A CONTROLLED COPY, COPIES OF THESE DOCUMENTS INCLUDING ASSOCIATED ELECTRONIC REPRODUCTIONS ARE FOR REFERENCE ONLY.

THESE DRAWINGS AND SPECIFICATIONS ARE THE PROPERTY OF CROWN INTERNATIONAL, INC. AND SHALL NOT BE REPRODUCED, COPIED, OR USED AS THE BASIS FOR THE MANUFACTURE OR SALE OF APPARATUS OR DEVICES WITHOUT PERMISSION.

SIZE	DWG NO.		REV
A	133204-6		A
SCALE	NONE	PROJ NO. MD459P0	SHEET 5 OF 7

ADD WIRE
133510-1

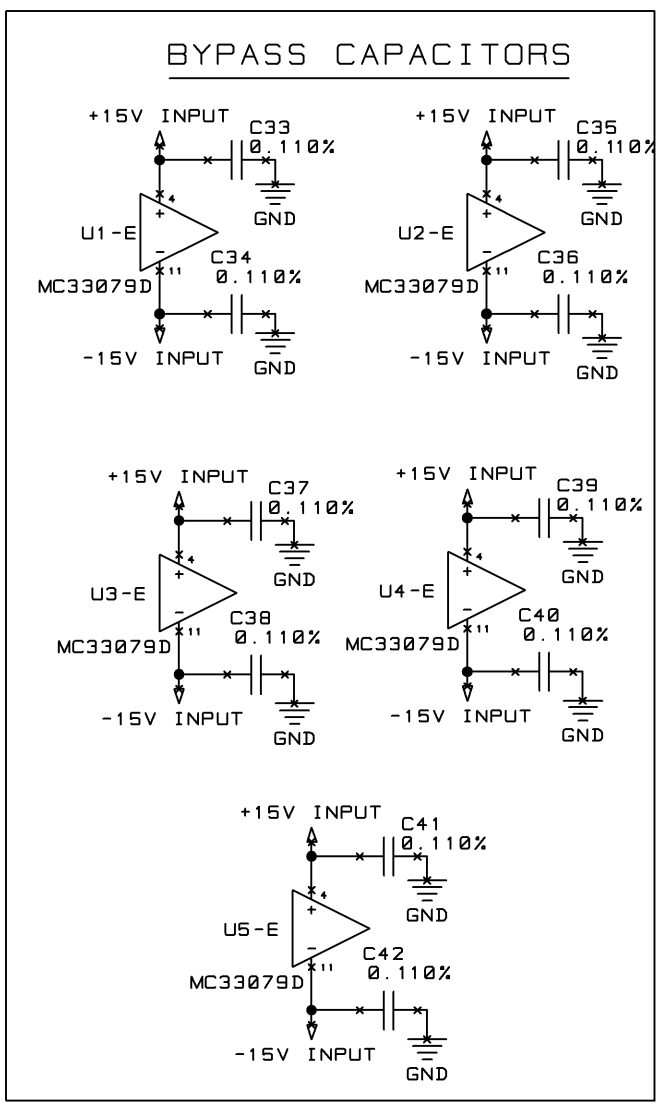
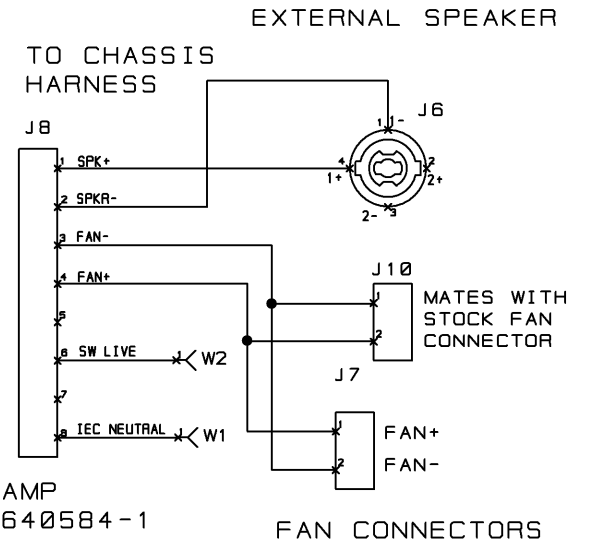
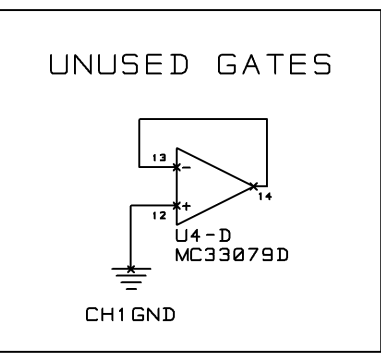
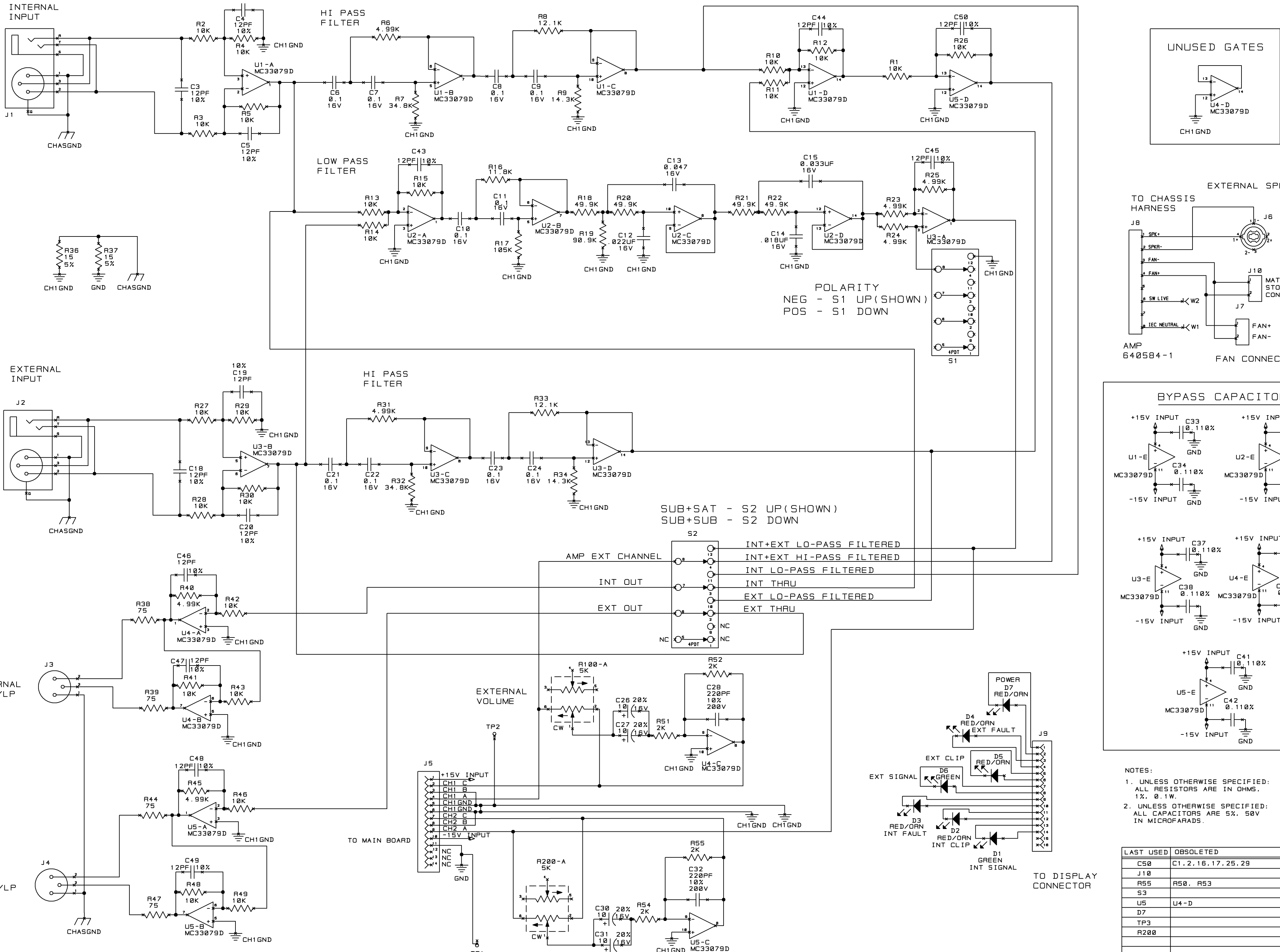
ADD WIRE
133509-1



UNCONTROLLED
UNLESS OTHERWISE MARKED IN RED INK BY CM AS A
CONTROLLED COPY, COPIES OF THESE DOCUMENTS
INCLUDING ASSOCIATED ELECTRONIC REPRODUCTIONS
ARE FOR REFERENCE ONLY.

THESE DRAWINGS AND SPECIFICATIONS ARE THE
PROPERTY OF CROWN INTERNATIONAL, INC. AND
SHALL NOT BE REPRODUCED, COPIED, OR USED
AS THE BASIS FOR THE MANUFACTURE OR SALE
OF APPARATUS OR DEVICES WITHOUT PERMISSION.

SIZE B	DWG NO. 133204-6	REV A
SCALE NONE	PROJ NO. MD459P0	SHEET 6 OF 7



- NOTES:
1. UNLESS OTHERWISE SPECIFIED:
ALL RESISTORS ARE IN OHMS.
1% .0.1W.
2. UNLESS OTHERWISE SPECIFIED:
ALL CAPACITORS ARE 5% .50V
IN MICROFARADS.

LAST USED	OBSOLETE
C50	C1, 2, 16, 17, 25, 29
J10	
R55	R50, R53
S3	
U5	U4-D
D7	
TP3	
R200	