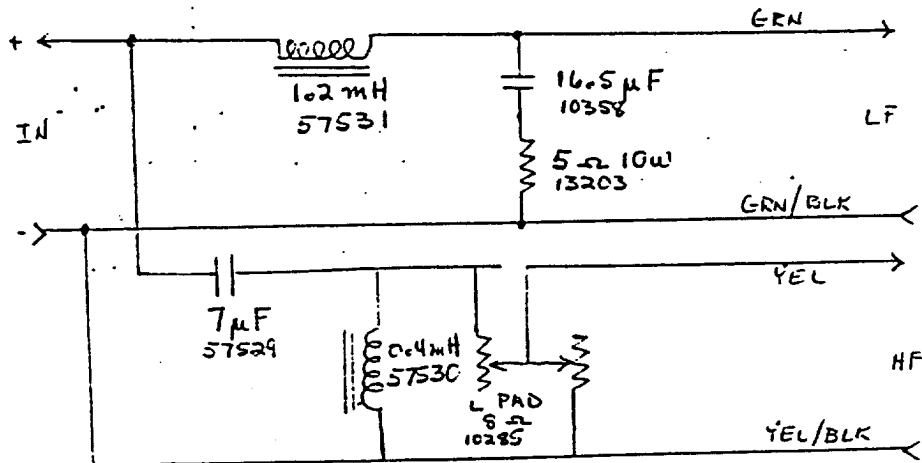


SPECIFICATIONS: NOTE ① CDB @ 100HZ

LOAD Z	LOW PASS	CROSS OVER	HIGH PASS	ATTENUATION
	1.2K	1.8K	2.5K	3K
	LF -4	LF -8	LF -12	
	HF -15	HF -8	HF -1.5	HF C VAR

CIRCUIT:



NOTES:

- ① USE STANDARD TEST FIXTURE

