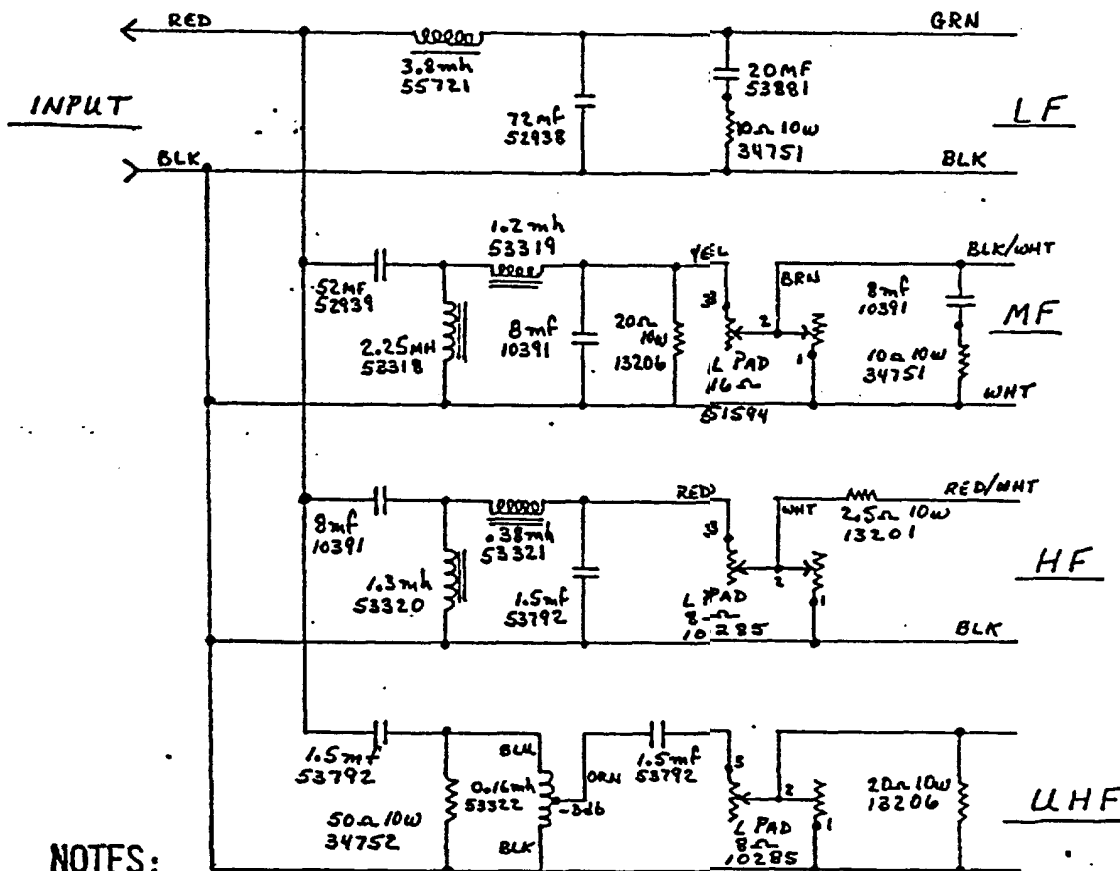


SPECIFICATIONS: NOTE ①

LOAD Z	LOW PASS	CROSS OVER	HIGH PASS	ATTENUATION
8	400 HZ	1.5 KHZ	800 HZ	
	LF -6 MF -5	MF -6 HF -6	MF +1	MF VAR
8	3 KHZ	8.5 KHZ	12 KHZ	
	HF +1	HF -8 UHF -8	UHF -6	VAR VAR

CIRCUIT:



NOTES:

① USE STANDARD TEST FIXTURE