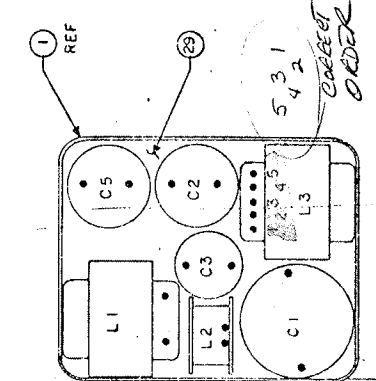
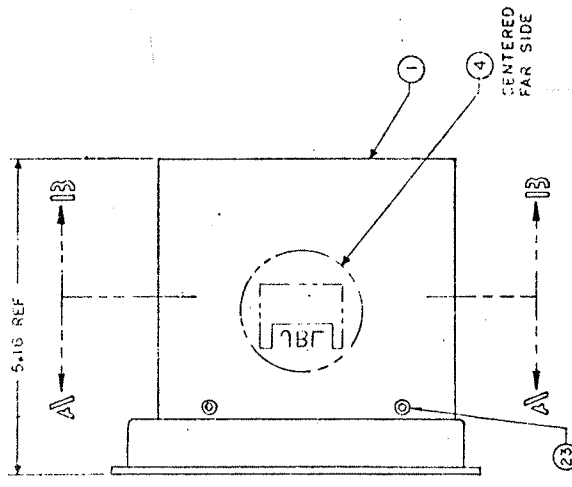


SMT 2062



SECTION A-A

SECTION B-B

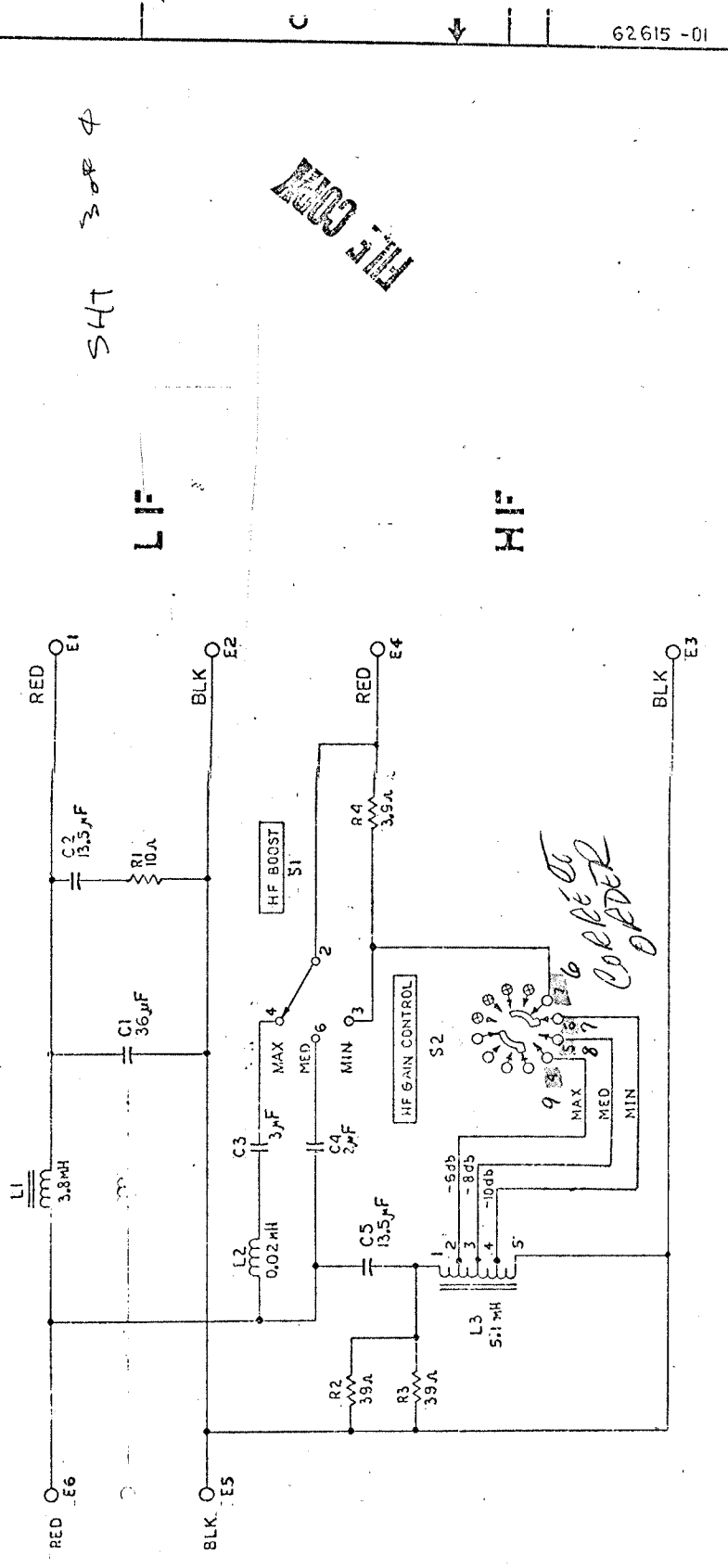
CHG	LT#	DESCRIPTION	QTY	CHK	DATE	APPR
62615	A	REL FR PRODUCTION	1			
62615	B	55030-0381 WAS 6.023	1			
62615	C	62615-011 WAS 2.022	1			
62615	D	62615-011 WAS 2.022	1			
30	48679	WIRE, 22 AWG, BLK (#8900)	3	22	TOTAL	3
29	61961	ADHESIVE	A/R			
28	20436S	SOLDER	A/R			
27	10241	SOLDER LUG	6			
26	12961	SCREW, 6-32 X 1/4 SET	1			
25	10811	SCREW, 6-32 X 3/8 PNH	6			
24	10817	WASHER, INSULATING	12			
23	53672	RIVET	4			
22	10809S	WIRE, 22 AWG BUS	1	1/2	TOTAL	1
21	60990-03R3	CAPACITOR - 2 μ F	1	C4		
19	62772-03R0	3 μ F	1	C3		
18	62772-13R5	13.5 μ F	2	C2, 5		
17	62772-0350	CAPACITOR - 36 μ F	1	C1		
16	11034S	SLEEVING, 18 AWG, BLK	1	1 1/2	" TOTAL	1
15	60741-0350	RESISTOR - 39 Ω	2	R2, 3		
14	31751	RESISTOR - 10 Ω	1	R1 (35491)		
13	60731-03R9	RESISTOR - 3.9 Ω	1	R4		
12	55030-05R1	INDUCTOR - 5.1 mH	1	L3		
11	62629-01	INDUCTOR - 0.02 mH	1	L2		
10	55026-03R8	INDUCTOR - 3.8 mH	1	L1		
9	33751	BINDING POST, BLACK	3	E2, 3, 5		
8	33750	BINDING POST, RED	3	E1, 4, 6		
7	62622	SWITCH, TOGGLE, DP3P	1	S1		
6	666477	SWITCH, ROTARY, 3 POS	1	S2		
5	10293	KNOB (BLK)	1	(47178)		
4	65929-11	FOILCAL, 3115 A	1	(35434)		
3	62617	OVERLAY	1			
2	62618	FLANGE, (BLK)	1			
1	10357	CONTAINER, NETWORK (BLK)	1	(47171)		

QTY FOR LISTED BULK MATL IS NO. OF PIECES FROM LENGTH INDICATED.
 WIRE ENTRY HOLES OF ITEMS 8 & 9 ALL FACE VERTICALLY TOWARD KNOS.
 SWITCHES SUPPLIED WITH MOUNTING HARDWARE.
 REF DWG: SCHEMATIC 62615-01; WIRE LIST 62615-02.
 NOTES: (UNLESS OTHERWISE SPECIFIED)

ITEM	PART NO.	DESCRIPTION	QTY	REMARKS
1	62615	62615	1	
2	62615	62615	1	
3	62615	62615	1	
4	62615	62615	1	
5	62615	62615	1	
6	62615	62615	1	
7	62615	62615	1	
8	62615	62615	1	
9	62615	62615	1	
10	62615	62615	1	
11	62615	62615	1	
12	62615	62615	1	
13	62615	62615	1	
14	62615	62615	1	
15	62615	62615	1	
16	62615	62615	1	
17	62615	62615	1	
18	62615	62615	1	
19	62615	62615	1	
20	62615	62615	1	
21	62615	62615	1	
22	62615	62615	1	
23	62615	62615	1	
24	62615	62615	1	
25	62615	62615	1	
26	62615	62615	1	
27	62615	62615	1	
28	62615	62615	1	
29	62615	62615	1	
30	62615	62615	1	
31	62615	62615	1	
32	62615	62615	1	
33	62615	62615	1	
34	62615	62615	1	
35	62615	62615	1	
36	62615	62615	1	
37	62615	62615	1	
38	62615	62615	1	
39	62615	62615	1	
40	62615	62615	1	
41	62615	62615	1	
42	62615	62615	1	
43	62615	62615	1	
44	62615	62615	1	
45	62615	62615	1	
46	62615	62615	1	
47	62615	62615	1	
48	62615	62615	1	
49	62615	62615	1	
50	62615	62615	1	
51	62615	62615	1	
52	62615	62615	1	
53	62615	62615	1	
54	62615	62615	1	
55	62615	62615	1	
56	62615	62615	1	
57	62615	62615	1	
58	62615	62615	1	
59	62615	62615	1	
60	62615	62615	1	
61	62615	62615	1	
62	62615	62615	1	
63	62615	62615	1	
64	62615	62615	1	
65	62615	62615	1	
66	62615	62615	1	
67	62615	62615	1	
68	62615	62615	1	
69	62615	62615	1	
70	62615	62615	1	
71	62615	62615	1	
72	62615	62615	1	
73	62615	62615	1	
74	62615	62615	1	
75	62615	62615	1	
76	62615	62615	1	
77	62615	62615	1	
78	62615	62615	1	
79	62615	62615	1	
80	62615	62615	1	
81	62615	62615	1	
82	62615	62615	1	
83	62615	62615	1	
84	62615	62615	1	
85	62615	62615	1	
86	62615	62615	1	
87	62615	62615	1	
88	62615	62615	1	
89	62615	62615	1	
90	62615	62615	1	
91	62615	62615	1	
92	62615	62615	1	
93	62615	62615	1	
94	62615	62615	1	
95	62615	62615	1	
96	62615	62615	1	
97	62615	62615	1	
98	62615	62615	1	
99	62615	62615	1	
100	62615	62615	1	

THIS DRAWING AND SPECIFICATIONS ARE THE PROPERTY OF JAMES BLANKING SOUND, INC. AT THE BASIS FOR MANUFACTURE OR SALE OF APPARATUS WITHOUT WRITTEN PERMISSION.

CHG	NO.	DESCRIPTION	DRFT	CHK	DATE	APPR
N-0259	1	RELEASE FOR PRODUCTION	3/22/54	gjm	18-11-54	DLS/gjm



SHT 308 4

L.F.

H.F.

COPIED

62615 -01

ITEM	PART NO.	DESCRIPTION	CITY	REMARKS																												
BILL OF MATERIAL																																
<table border="1"> <tr> <td>DESIGN</td> <td>V-17405</td> <td>DATE</td> <td>11/1/53</td> </tr> <tr> <td>QUANTITY</td> <td>1</td> <td>BY</td> <td>gjm</td> </tr> <tr> <td>DESCRIPTION</td> <td colspan="3">SCHEMATIC, 3115A</td> </tr> <tr> <td>REVISION</td> <td colspan="3">REV. 1</td> </tr> <tr> <td>DATE</td> <td colspan="3">11/1/53</td> </tr> <tr> <td>BY</td> <td colspan="3">gjm</td> </tr> <tr> <td>APPROVED</td> <td colspan="3">[Signature]</td> </tr> </table>					DESIGN	V-17405	DATE	11/1/53	QUANTITY	1	BY	gjm	DESCRIPTION	SCHEMATIC, 3115A			REVISION	REV. 1			DATE	11/1/53			BY	gjm			APPROVED	[Signature]		
DESIGN	V-17405	DATE	11/1/53																													
QUANTITY	1	BY	gjm																													
DESCRIPTION	SCHEMATIC, 3115A																															
REVISION	REV. 1																															
DATE	11/1/53																															
BY	gjm																															
APPROVED	[Signature]																															
<table border="1"> <tr> <td>MANUFACTURER</td> <td>JAMES BLANKING SOUND, INC.</td> </tr> <tr> <td>ADDRESS</td> <td>1000 W. 10th St., Cambridge, Mass., U.S.A.</td> </tr> <tr> <td>TOLERANCES</td> <td>UNLESS OTHERWISE SPECIFIED</td> </tr> <tr> <td>ANGLE</td> <td>90°</td> </tr> <tr> <td>FINISH</td> <td>AS MANUFACTURED</td> </tr> <tr> <td>SCALE</td> <td>AS SHOWN</td> </tr> <tr> <td>NO. OF SHEETS</td> <td>1</td> </tr> <tr> <td>SHEET NO.</td> <td>1</td> </tr> </table>					MANUFACTURER	JAMES BLANKING SOUND, INC.	ADDRESS	1000 W. 10th St., Cambridge, Mass., U.S.A.	TOLERANCES	UNLESS OTHERWISE SPECIFIED	ANGLE	90°	FINISH	AS MANUFACTURED	SCALE	AS SHOWN	NO. OF SHEETS	1	SHEET NO.	1												
MANUFACTURER	JAMES BLANKING SOUND, INC.																															
ADDRESS	1000 W. 10th St., Cambridge, Mass., U.S.A.																															
TOLERANCES	UNLESS OTHERWISE SPECIFIED																															
ANGLE	90°																															
FINISH	AS MANUFACTURED																															
SCALE	AS SHOWN																															
NO. OF SHEETS	1																															
SHEET NO.	1																															

1. CROSSOVER FREQ 500 HZ.
NOTES:

62615 -02

SAT 4 OF 4

NOTICE

REV. NO.	DESCRIPTION	DATE	APPR.
1	REL FOR PROD	18 APR 62	DLS DM

ITEM	LEAD DESCRIPTION			DESTINATION (REF TO M/DWG)		REMARKS
	WIRE P/N	SLEEVE P/N	CL SIZE	LENGTH mm [in]	FROM TO	
1			X		R1-1 E5	
2					R1-2 S2-11	
3					R2-1 E2	
4					R2-2 S2-8 89	S2-4
5					R3-1 E2	
6					R3-2 S2-8	S2-4 ✓
7					R4-1 E4	
8					R4-2 S2-7	S2-6 ✓
9					C1-1 E1	
10					C1-2 E2	E-2 M
11					C2-1 E1	
12					C2-2 S2-11	S2-2 ✓
13					C3-1 S1-4	S1-3 ✓
14					C3-2 S2-1	S2-3 ✓
15					C4-1 S1-6	
16		110345			C4-2 E6	
17					C5-1 S2-9	
18					C5-2 E6	
19					L1-1 E6	
20					L1-2 E1	
21					L2-1 E6	
22					L2-2 S2-11	S2-3 ✓
23					L3-1 S2-9	S2-4 ✓
24					L3-2 S2-4	S2-6 ✓
25					L3-3 S2-5	S2-8 ✓
26					L3-4 S2-6	S2-7 ✓
27			X		L3-5 E5	
28	48679			7"	E4 S1-2	
29	48679			6 1/2"	S2-11 S1-3	S1-4 ✓
30	48679			8 1/2"	E5 E2 E3	
31						
32						
33	10809S			1/2"	S1-1 S1-5	

ITEM	PART NO	DESCRIPTION	QTY	REMARKS
		BILL OF MATERIAL		
		JAMES B LANSING SOUND, INC.		
		WIRE LIST-3115 A		
		A2 62615-02 A		

KEY:
 CL = COMPONENT LEAD
 LF = LOW FREQUENCY OUTPUT
 MF = MID FREQUENCY OUTPUT
 HF = HIGH FREQUENCY OUTPUT

WIRE COLOR CODE:
 BLK = BLACK
 WHT = WHITE
 BLU = BLUE
 YEL = YELLOW
 GRN = GREEN
 GRA = GRAY
 ORN = ORANGE
 VIO = VIOLET

NOTES (UNLESS OTHERWISE SPECIFIED)

1 2 3 4