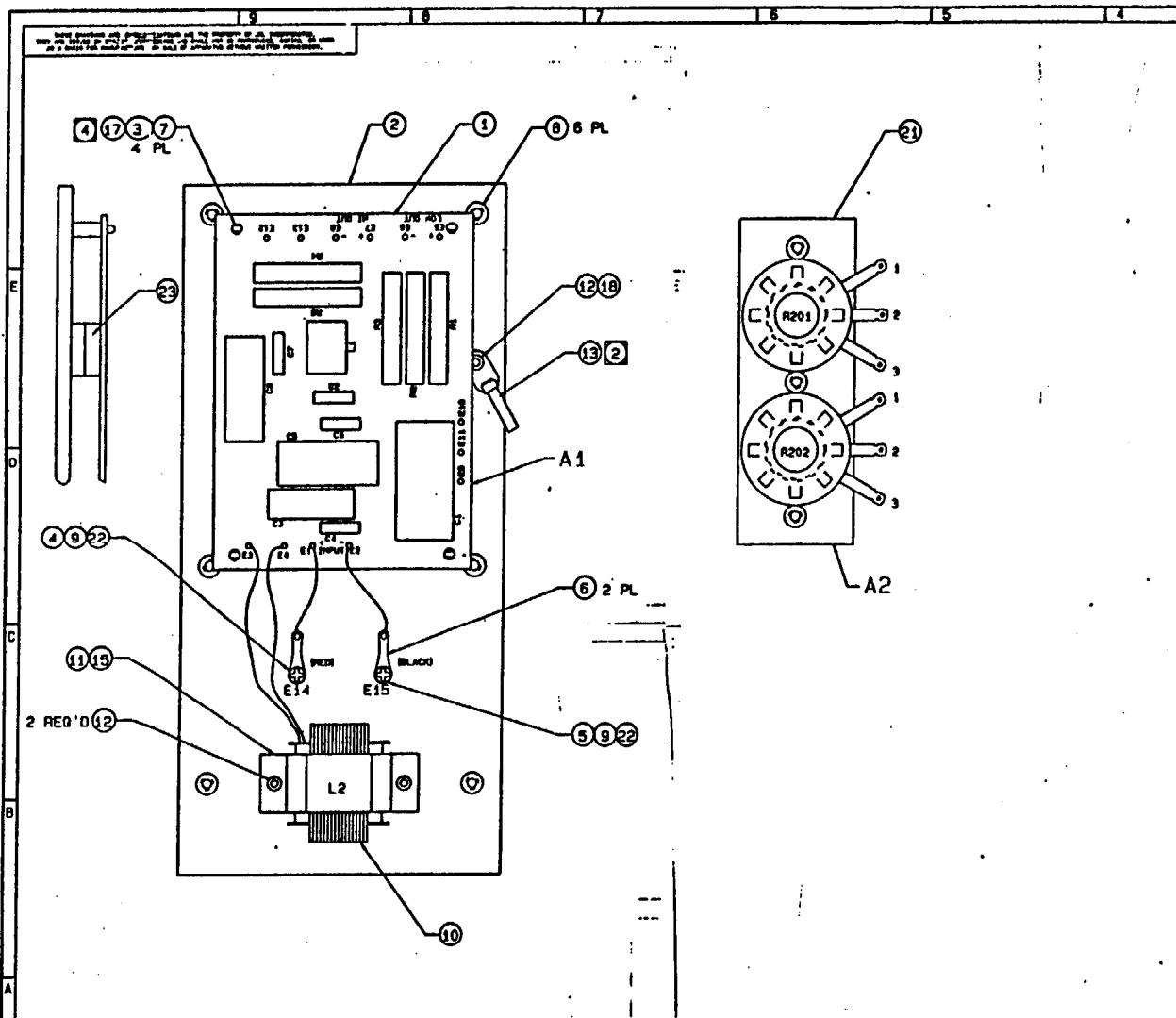


REVISIONS					
CRW	REV	DESCRIPTION	DRFT	CHK	DATE
6666	A	RELEASE FOR PRODUCTION	LIEU		11-11-64

N3124

P3.1

FILE COPY



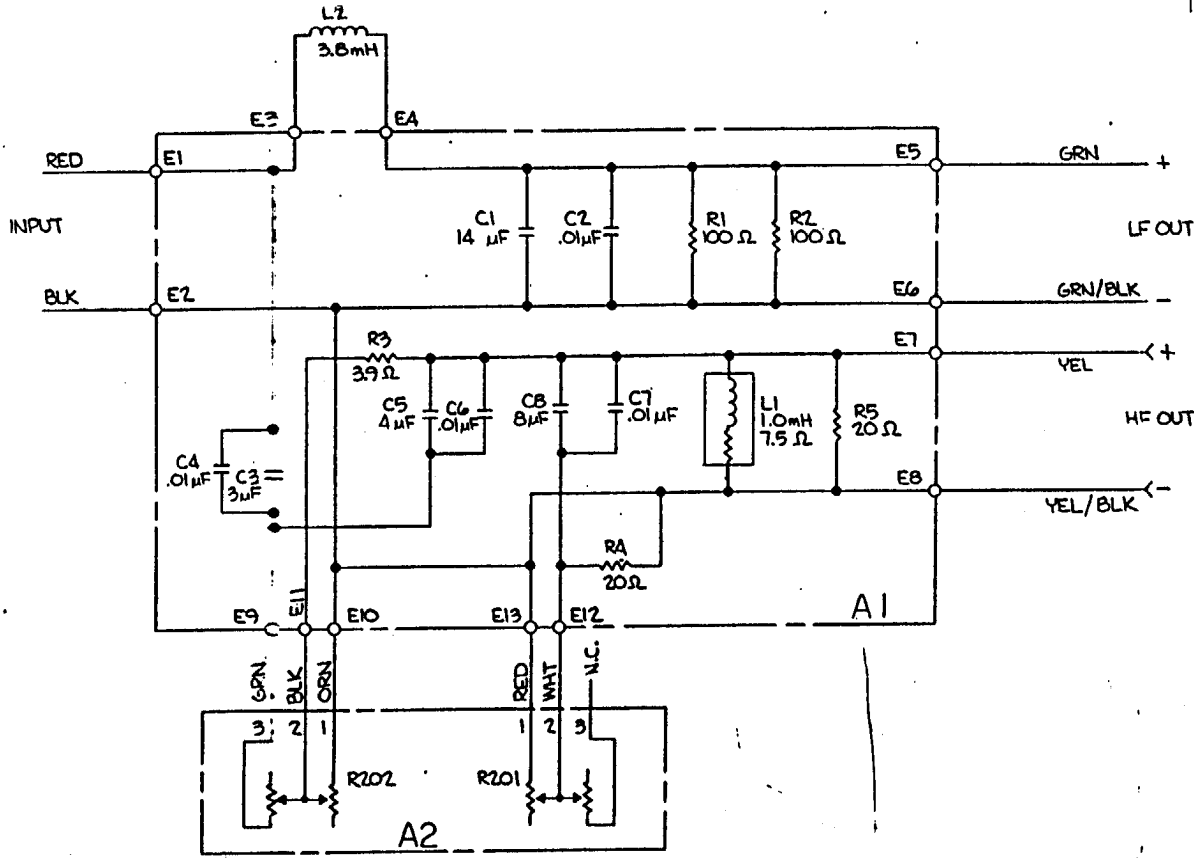
5. CUT ITEM 23 IN HALF; STACK BOTH HALVES AND PLACE BETWEEN PC BOARD AND MOUNTING BOARD, CENTERED.
 4. ADD ADHESIVE (ITEM 17) TO TOP OF STANDOFF (ITEM 3).
 3. TIE WIRES TOGETHER WITH ITEM 14 MID WAY BETWEEN A1 AND A2.
 2. TIE WIRES FROM E5 THRU E13 TO MOUNTING BOARD WITH ITEM 13.
1. SEE DWG 55934-01 FOR SCHEMATIC; SEE DWG 55934-02 FOR WIRE LIST.
- NOTES: (UNLESS OTHERWISE SPECIFIED)

ITEM	PART NO.	DESCRIPTION	QTY	REMARKS
24				
23	61528	VIBRATION PAD	1	CUT IN HALF
22	10049	WASHER, LOCK, EXTERNAL TIGHTENING, NO. 6	2	
21	65937	L-PAD ASSY	1	
20				
19				
18	10251	WASHER, NO. 6	1	
17	65864	ADHESIVE	.01	
16	204365	SOLDER	.005	
15	53010P	FOAM TAPE	0.1	
14	353535	CABLE TIE	1	
13	370235	CABLE CLAMP	1	
12	48110	RIVET	3	
11	56154	INDUCTOR STRAP	1	
10	55029-03R8	INDUCTOR, 3.8 mH	1	
9	10811	SCREW, 6-32 X 3/8 PHN PH	2	
8	51204	THREADED RIVET, 8-32	8	
7	62812	SCREW, 6-32 X 1/2 FLN PH	4	
6	47453	SOLDER LUG	2	
5	33751	BINDING POST, BLACK	1	
4	33750	BINDING POST, RED	1	
3	62751	STANDOFF, P.C. BOARD	4	
2	65936	MOUNTING BOARD	1	
1	65935	PRINTED CIRCUIT BOARD ASSY 3124	1	

BILL OF MATERIAL			
DATE PREPARED	BY	REVISION	NOTED
TOLERANCES UNLESS OTHERWISE SPECIFIED			
SCALE			
APPROVED			
JSL INCORPORATED		A HARSH INTERNATIONAL COMPANY	
MONTROSE, CALIFORNIA 91334, U.S.A.		TITLE	
		MFD ITEM, 3124	
QTY	UNIT	REV	DATE
1	D	D	65934
			A

THESE DRAWINGS AND SPECIFICATIONS ARE THE PROPERTY OF JAMES B. LANSING SOUND, INC. THEY ARE REPRODUCED BY FIRST COURTESY AND BY NO MEANS TO BE REPRODUCED, COPIED, OR USED AS THE BASIS FOR MANUFACTURE OR SALE OF APPARATUS WITHOUT WRITTEN PERMISSION.

REVISIONS						
CHG	LTR	DESCRIPTION	DRFT	CHK	DATE	APPR
664616	A	RELEASE FOR PRODUCTION			10-24-64	[Signature]



1. RESISTORS ARE WIRE WOUND, 10 W, 10% .
 NOTES: (UNLESS OTHERWISE SPECIFIED)

ITEM	PART NO.	DESCRIPTION	QTY	REMARKS
BILL OF MATERIAL				
UNLESS OTHERWISE SPECIFIED DIMENSIONS ARE IN INCH-SIZES BREAK SHARP EDGES .016 inch		MATERIAL	DRAWN 7-16-64 D. L. [Signature]	JAMES B. LANSING SOUND, INC. A Harman International Company Northridge, California 91329 U.S.A.
TOLERANCES (UNLESS OTHERWISE SPECIFIED) ANGULAR		FINISH	CHECKED 6-6-64 J. [Signature]	
R.X.X ± .003 inch		DESIGN	DESIGN 1-18-64 J. [Signature]	TITLE
X.X.X ± .010 inch		MODELS USED ON		SCHMATIC, 3124
R.R. ± .020 inch		ENGR	ENGR 10-24-64 Wm. M. [Signature]	SIZE
FRACTIONAL DIMENSIONS: ± 1/32		APPR	APPR [Signature]	DRAWING NO.
ALL DIMENSIONS ARE FINISHED DIMENSIONS DO NOT SCALE DRAWING				65934-01
				REV
				A
				SCALE
				SHEET 1 of 1

N3124
 P9.2

07-24-01

A