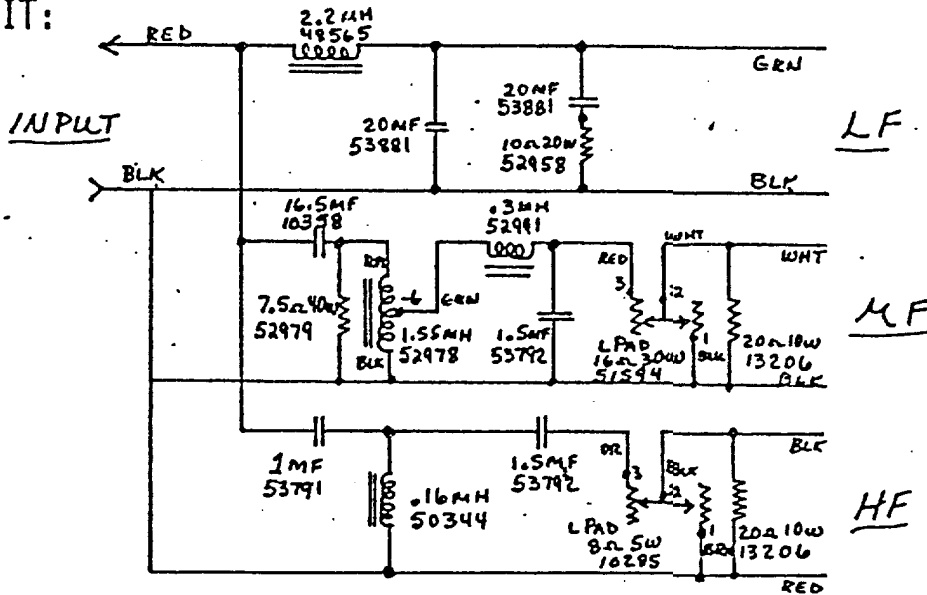


SPECIFICATIONS: NOTE ①

LOAD Z	LOW PASS	CROSS OVER	HIGH PASS	ATTENUATION
8	500HZ	1KHZ	2 KHZ	2 KHZ
	LF -2	LF -11 MF -11	MF -8	MF VAR
8		6.5KHZ	12 KHZ	12 KHZ
		MF -13 HF -13	HF -8	HF VAR

CIRCUIT:



NOTES:

- ① USE STANDARD TEST FIXTURE

N	3-76
J	2-75