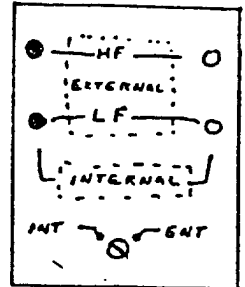


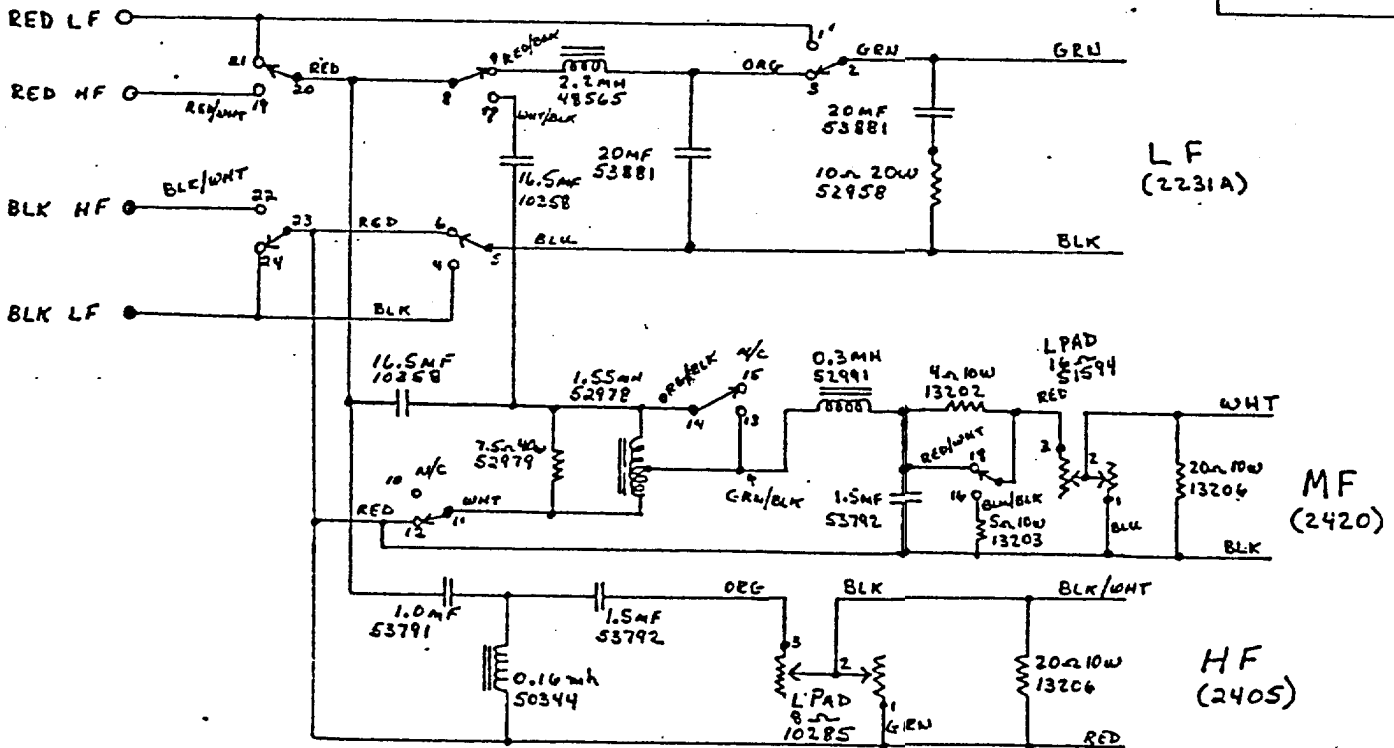
STD OR BI-AMP INPUT
USED IN 4332A & 4333A WK

SPECIFICATIONS: NOTE ①

LOAD Z	LOW PASS	CROSS OVER	HIGH PASS	ATTENUATION		
8	500HZ	1KHZ	2KHZ	6.5KHZ	12KHZ	
INT	LF -2	LF -10		MF -13		VAR
		MF -10	MF -10	HF -13	HF -7	VAR
8			2KHZ	6.5KHZ	12KHZ	
EXT	MF -11		MF -8	MF -13	HF -7	VAR
				MF -13	HF -7	VAR



CIRCUIT:



SWITCH - 55909-10P2T

NOTES:

- 1-12 FRONT WAFER
- 13-24 BACK WAFER
- SWITCH SHOWN IN "INTERNAL" POSITION

① USE STANDARD TEST FIXTURE