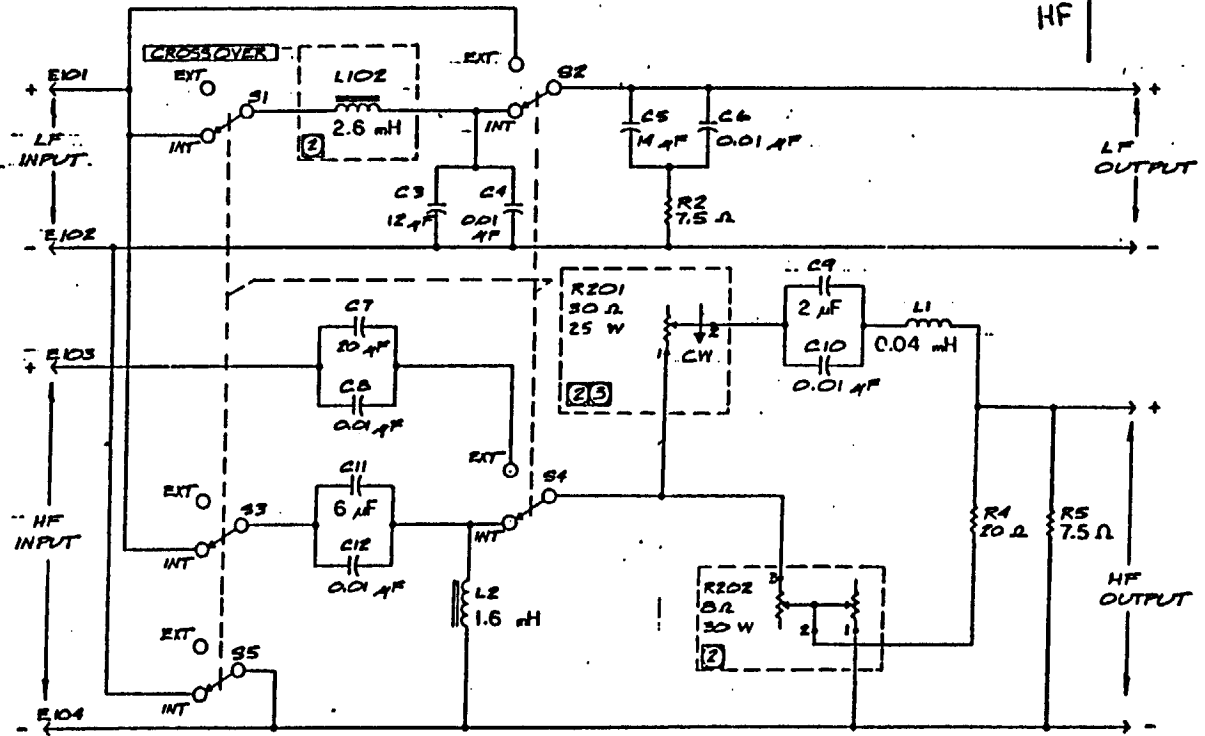


THIS DRAWING AND SPECIFICATIONS ARE THE PROPERTY OF JAMES B. LANSING SOUND, INC. AND ARE MADE ON STRICT CONFIDENTIALITY AND SHALL NOT BE REPRODUCED COPIED OR USED AS THE BASIS FOR MANUFACTURE OR SALE OF APPARATUS WITHOUT WRITTEN PERMISSION.

REVISIONS						
CHG	NO.	DESCRIPTION	DRFT	CHKD	DATE	APPR
-	-	SEE SHEET ONE	CD	AL	1/1/61	AL

8Ω	500	1.5K	8K
LF	-2	-15	-
HF		-15	-11



SIMPLIFIED SCHEMATIC

See attached parts list for part numbers.

NOTES:

ITEM	PART NO.	DESCRIPTION	QTY	REMARKS
BILL OF MATERIAL				
<small>UNLESS OTHERWISE SPECIFIED DIMENSIONS ARE IN MILLIMETERS (INCHES) DIMENSIONS IN BRACKETS ARE IN INCHES (MILLIMETERS)</small> TOLERANCES FRACTIONS DECIMALS ANGLES <small>ALL DIMENSIONS UNLESS OTHERWISE SPECIFIED</small>		<small>MATERIAL</small> <small>FINISH</small> <small>PROCESS USED ON</small> <small>FRAC TIONS</small> <small>ALL DIMENSIONS ARE FURNISHED DIMENSIONS</small> <small>DO NOT SCALE DRAWING</small>	<small>DATE</small> <small>CHKD BY</small> <small>DESIGN</small> <small>INSTR</small> <small>APP</small> <small>SCALE</small>	<small>JAMES B. LANSING SOUND, INC.</small> <small>A Heerman's derivative of Company</small> <small>Northridge California 91328 U.S.A.</small> SHEET NO. SHEET OF
				SHEET NO. SHEET OF

FILE COPY

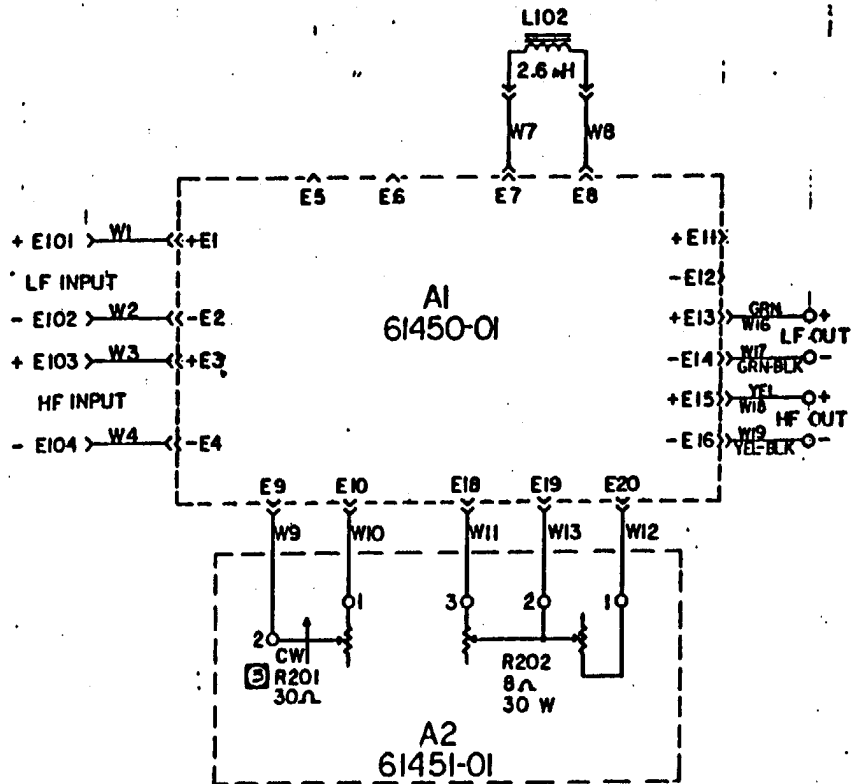
Page 1 of 3

3134

61449-01

THESE DIMENSIONS AND SPECIFICATIONS ARE THE PROPERTY OF JAMES B. LAWSONG SOUND INC. AND ARE MADE IN STRICT CONFIDENCE AND SHALL NOT BE DISCLOSED EXCEPT TO USERS ON THE BASIS FOR MANUFACTURE OR SALE OF APPLICABLE WITHOUT WRITTEN PERMISSION.

REVISIONS						
CHG	LTR	DESCRIPTION	DRFT	CHK	DATE	APPR
X-0182	A	MFG PROTOTYPE RUN NO. 1	✓	JLB	1-11-81	WJL
188	B	REV PER PDCN	✓	JLB	8-9-81	WJL
M-0182	C	REL FOR PRODUCTION		J.M. FJI	8/14/81	WJL
211		REV PER PDCN				



- ③ POTENTIOMETER OPEN IN EXTREME COUNTERCLOCKWISE POSITION.
 ② COMPONENTS NOT PCB MOUNTED.
 1. RESISTORS ARE WIREWOUND, 10 W, 10%.
- NOTES: (UNLESS OTHERWISE SPECIFIED)

ITEM	PART NO.	DESCRIPTION	QTY	REMARKS
BILL OF MATERIAL				
<small>UNLESS OTHERWISE SPECIFIED DIMENSIONS ARE IN MILLIMETERS ON THE DECIMALS OF MILLIMETERS OR IN INCHES THICKNESS 0.1 MILLIMETER (0.004 INCH)</small> TOLERANCES UNLESS OTHERWISE SPECIFIED DECIMALS: ±0.25 (0.010 INCH) FRACTIONS: ±0.125 (0.005 INCH) HOLE DIA: ±0.10 (0.004 INCH) HOLE DIA: ±0.25 (0.010 INCH) HOLE DIA: ±0.50 (0.020 INCH)		MATERIAL: <i>1</i> FINISH: <i>1</i> MODEL USED ON: <i>313-3</i>	DRAWN: <i>1/26/80</i> CHECKED: <i>1-23-81</i> DESIGNED: <i>1-23-81</i> DATE: <i>1-23-81</i> SCALE: <i>1:1</i>	JAMES B. LAWSONG SOUND, INC. A Harman International Company Northridge, California 91329 U.S.A. TITLE: SCHEMATIC - 3134 PART: A2 DRAWING NO: 61449-01 REV: C
<small>ALL DIMENSIONS AND FINISHES UNLESS OTHERWISE SPECIFIED DO NOT SCALE DRAWINGS</small>				

61449-01

Page 2 of 2

