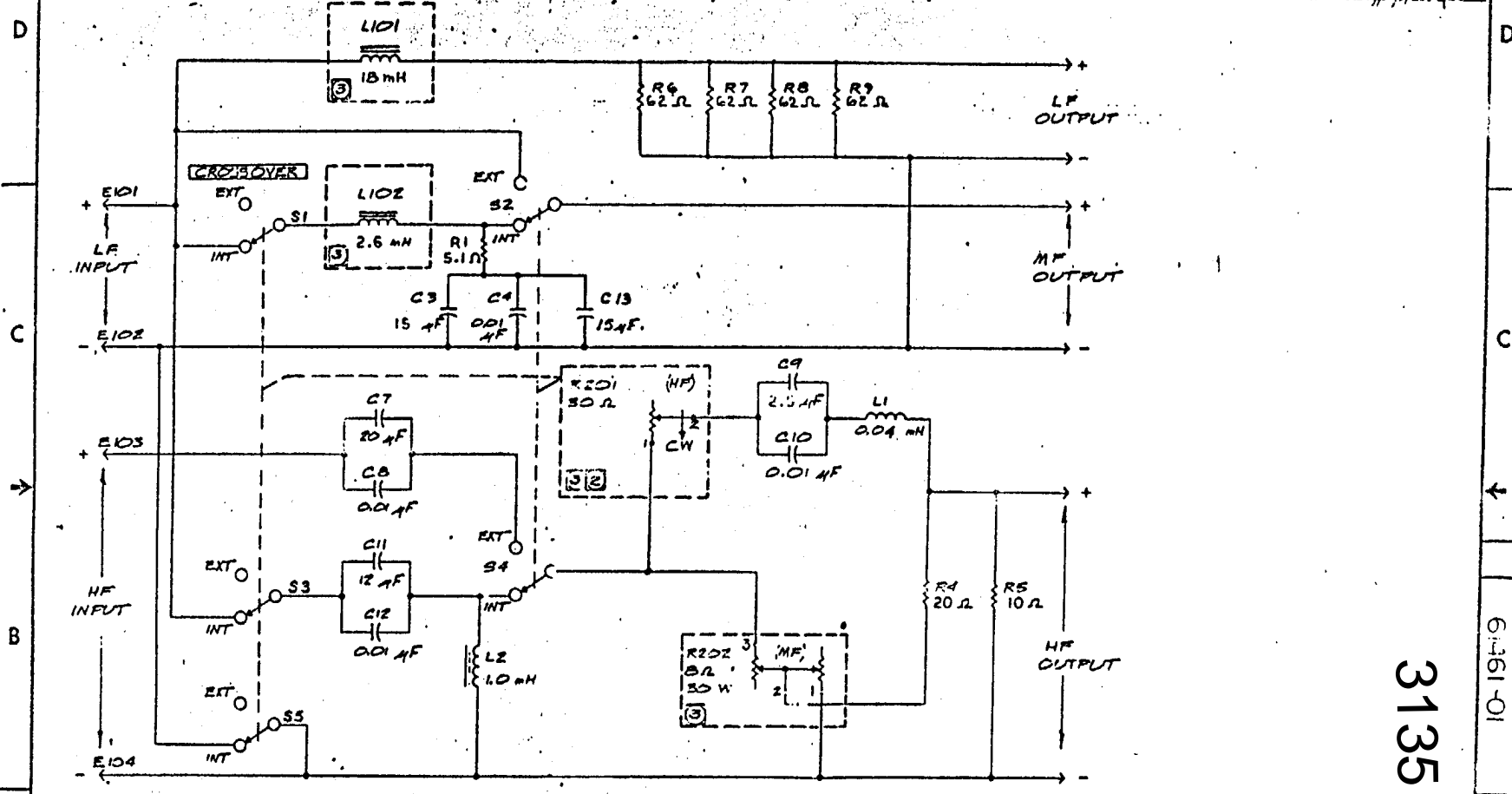


THIS DRAWING AND SPECIFICATIONS ARE THE PROPERTY OF JAMES B. LANSING SOUND INC. THEY ARE ISSUED IN STRICT CONFIDENCE AND SHALL NOT BE REPRODUCED COPIES OR USED AS THE BASIS FOR MANUFACTURE OR SALE OF APPARATUS WITHOUT WRITTEN PERMISSION.

REVISIONS						
CHK	LTR	DESCRIPTION	DRFT	CHK	DATE	APPR
		SEE SHEET ONE	44	00	11/23/57	WRC/CO



SIMPLIFIED SCHEMATIC

3135

61461-01

ITEM	PART NO.	DESCRIPTION	QTY	REMARKS
BILL OF MATERIAL				
<small>UNLESS OTHERWISE SPECIFIED DIMENSIONS ARE IN MILLIMETERS UNLESS SHOWN OTHERWISE IN BRACKETS. DIMENSIONS IN INCHES TO 3 DECIMALS. TOLERANCES UNLESS OTHERWISE SPECIFIED: FRACTIONS IN 16ths OF AN INCH DECIMALS IN 10ths OF AN INCH ALL DIMENSIONS ARE FINISHED DIMENSIONS DO NOT SCALE DRAWING</small>		<small>MATERIAL</small> <small>FINISH</small> <small>ANODIZED ALUMINUM</small> <small>2.25</small>	<small>DRAWN BY</small> <small>DATE</small> <small>11/23/57</small> <small>SCALE</small> <small>1:1</small>	<small>JAMES B. LANSING SOUND, INC.</small> <small>1600 North Tower Building, Columbia</small> <small>South Carolina 29204 U.S.A.</small> <small>FILE</small> SCHEMATIC-3135 <small>DRAWING NO</small> 61461-01 <small>REV</small> D

NOTES:

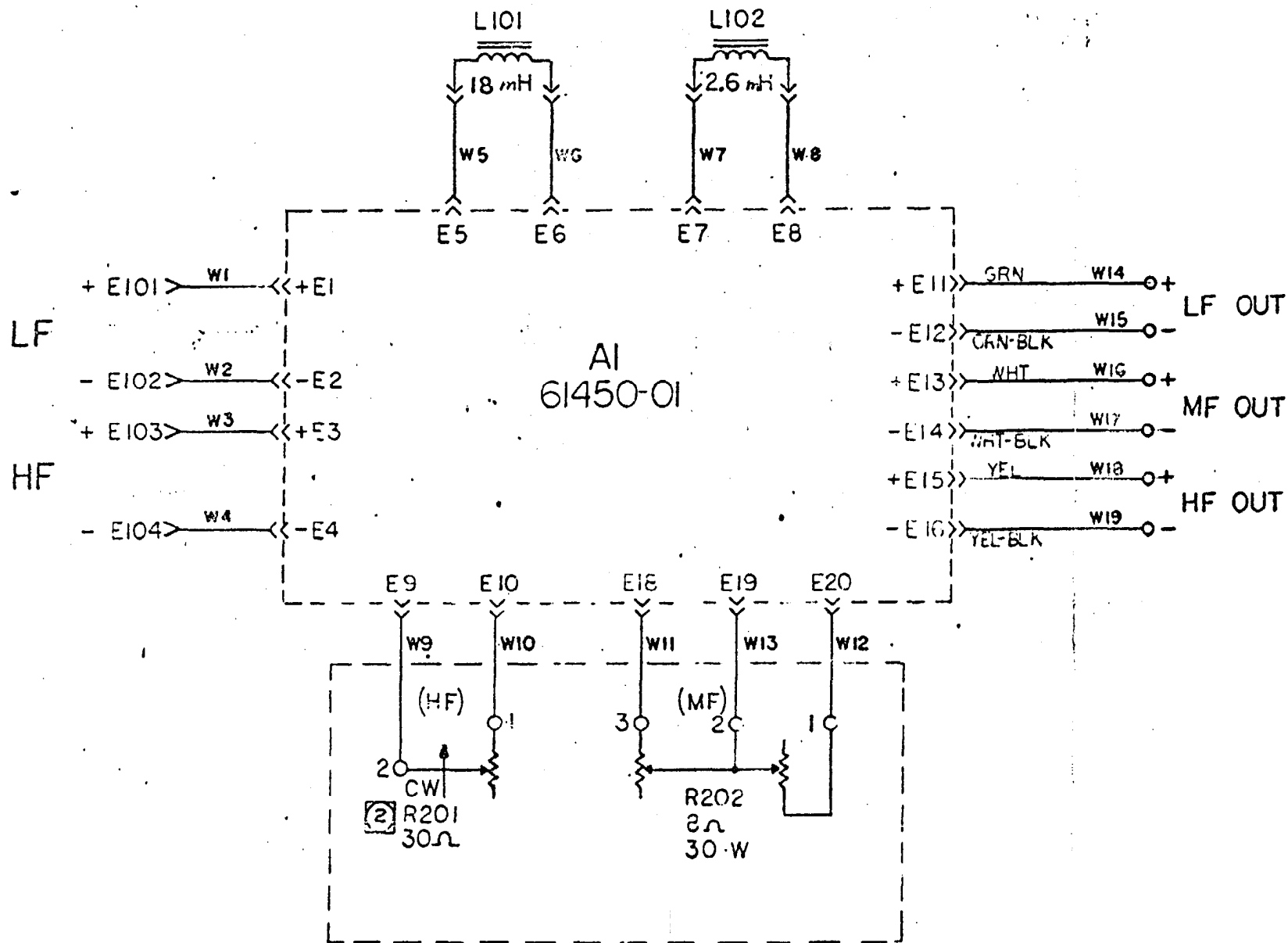
A

A

4 3 2 1

THESE DRAWINGS AND SPECIFICATIONS ARE THE PROPERTY OF JAMES B. LANSING SOUND INC. THEY ARE ISSUED IN STRICT CONFIDENCE AND SHALL NOT BE REPRODUCED, COPIED, OR USED AS THE BASIS FOR MANUFACTURE OR SALE OF APPARATUS WITHOUT WRITTEN PERMISSION.

CHG	LTR	DESCRIPTION
X-0183	A	MFB PROTOTYPE R
132	B	REV CIRCUIT PER PD
195	C	REV CIRCUIT PER PD
N-0183	D	REL FOR PRODUCT
216		COMPONENT VALUE



X-0183	A	MFG PROTOTYPE
132	B	REV R202 CON
N-0183	C	REL FOR PRO

ITEM	LEAD DESCRIPTION					DESTINATION		REMARKS
	WIRE P/N	SLEEVE P/N	CL	SIZE	COLOR	LENGTH mm [in.]	(REF TO W/ DWG) FROM TO	
1	61452				RED		E101 AI-E1	+ INPUT LF (W1)
2	61453				BLK-WHT		E102 AI-E2	- INPUT LF (W2)
3	61452				RED		E103 AI-E3	+ INPUT HF (W3)
4	61453				BLK-WHT		E104 AI-E4	- INPUT HF (W4)
5	61454				BLK		L101 AI-E5	(W5)
6	61455				BLK		L101 AI-E6	(W6)
7	61456				BLK		L102 AI-E7	(W7)
8	61456				BLK		L102 AI-E8	(W8)
9	61457				BLK		A2-R201-2 AI-E9	HF POT (W9)
10	61458				ORN		A2-R201-1 AI-E10	HF POT (W10)
11								
12	61459				BLK-WHT		A2-R202-3 AI-E18	L-PAD (W11)
13	61464				RED-WHT		A2-R202-2 AI-E19	L-PAD (W13)
14	61465				BRN		A2-R202-1 AI-E20	L-PAD (W12)
15								
16	61466				WHT		AI-E13 MF (+)	(W16)
17	61467				WHT/BLK		AI-E14 MF (-)	(W17)
18	61472				GRN		AI-E11 LF (+)	(W14)
19	61473				GRN/BLK		AI-E12 LF (-)	(W15)
20	61485				YEL		AI-E15 HF (+)	(W18)
21	61486				YEL-BLK		AI-E16 HF (-)	(W19)

D

C

→

W