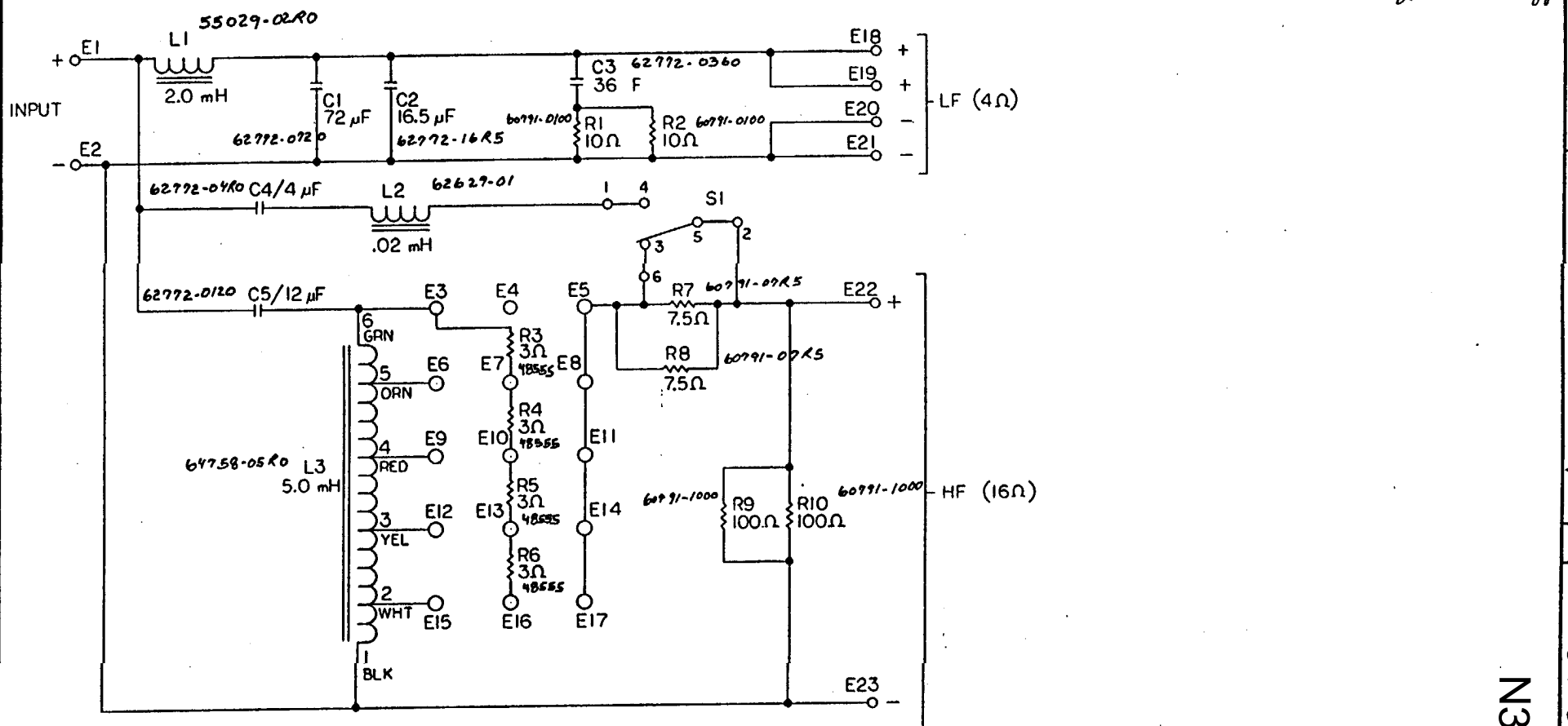


THESE DRAWINGS AND SPECIFICATIONS ARE THE PROPERTY OF JAMES B. LANSING SOUND INC. THEY ARE ISSUED IN STRICT CONFIDENCE AND SHALL NOT BE REPRODUCED, COPIED, OR USED AS THE BASIS FOR MANUFACTURE OR SALE OF APPARATUS WITHOUT WRITTEN PERMISSION.

REVISIONS						
CHG	LTR	DESCRIPTION	DRFT	CHK	DATE	APPR
N-0330	A	REL FOR PRODUCTION	H. Blum	Blum	7-18-53	G.T. Grijp
454G	B	ADD JUMPER WIRES TO S1	Blum	ajg	7-16-54	G.T. Grijp



64754-01

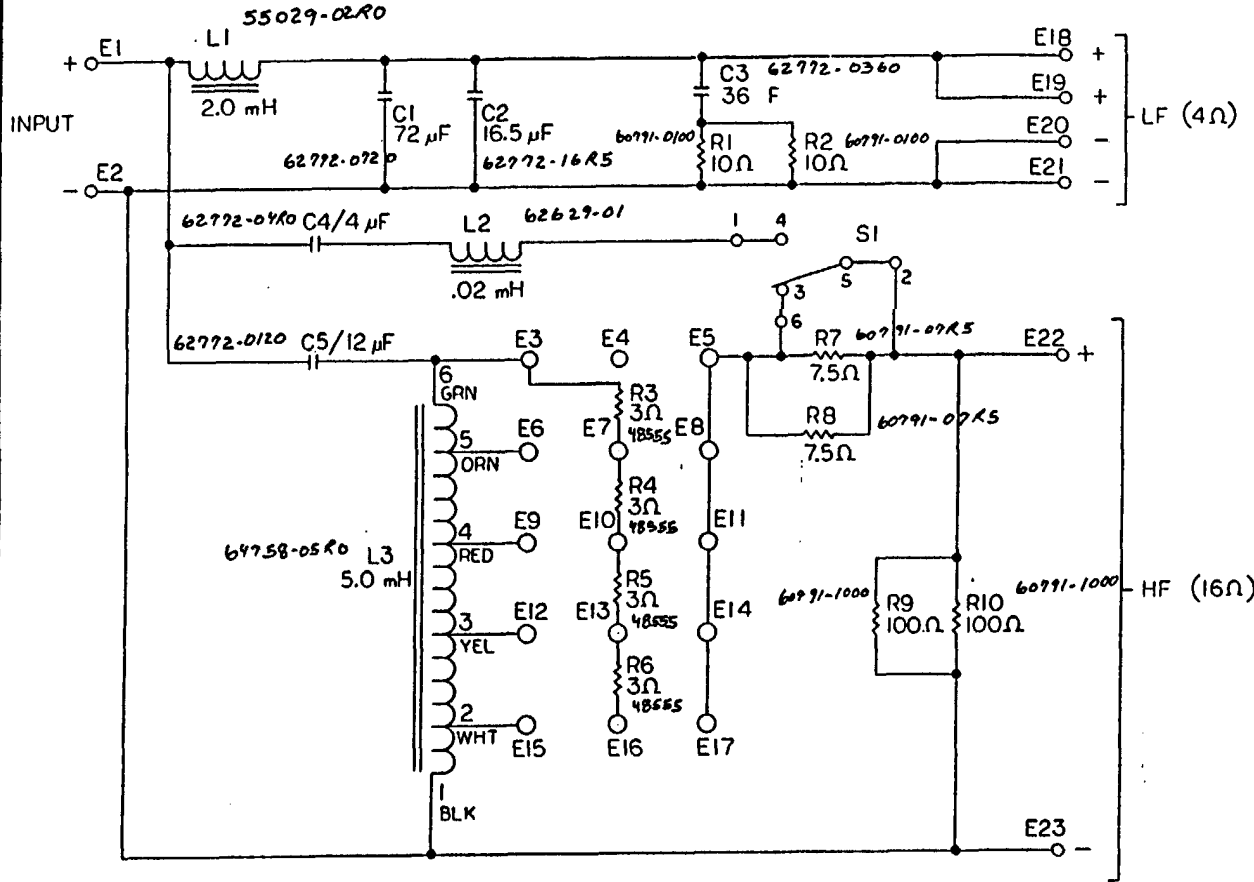
N3160

NOTES: (UNLESS OTHERWISE SPECIFIED)

ITEM	PART NO.	DESCRIPTION	QTY	REMARKS
<b>BILL OF MATERIAL</b>				
UNLESS OTHERWISE SPECIFIED DIMENSIONS ARE IN INCH-SIZES BREAK SHARP EDGES .015 INCH		MATERIAL	DESIGN 6-22-53 Blum	<b>JAMES B. LANSING SOUND, INC.</b> A Harman International Company Northridge, California 91329, U.S.A.
TOLERANCES (UNLESS OTHERWISE SPECIFIED) ANGULARS X.XXX ± .005 inch ± X.XX ± .010 inch ± X.X ± .020 inch ± FRACTIONAL DIMENSIONS: ± 1/32		FINISH	DESIGN 6-30-53 Blum	
ALL DIMENSIONS ARE FINISHED DIMENSIONS DO NOT SCALE DRAWING		MODELS USED ON	ENDOR 7-1-54 Blum	TITLE <b>SCHEMATIC, 3160</b>
			APPR U. Gorenchil	SIZE <b>C</b>
			SCALE NONE	DRAWING NO. <b>64754-01</b>
				REV <b>B</b>
				SHEET 1 OF 1

THESE DRAWINGS AND SPECIFICATIONS ARE THE PROPERTY OF JAMES B. LANSING SOUND, INC. THEY ARE ISSUED IN STRICT CONFIDENCE AND SHALL NOT BE REPRODUCED, COPIED, OR USED AS THE BASIS FOR MANUFACTURE OR SALE OF APPARATUS WITHOUT WRITTEN PERMISSION.

REVISIONS						
CHG	LTR	DESCRIPTION	DRFT	CHK	DATE	APPR
N-0330	A	REL FOR PRODUCTION	<i>Blum</i>	<i>Blum</i>	7-18-53	<i>Blum</i>
454G	B	ADD JUMPER WIRES TO S1	<i>Blum</i>	<i>ajj</i>	7-16-57	<i>Blum</i>



N31601

64754-01

NOTES: (UNLESS OTHERWISE SPECIFIED)

ITEM	PART NO.	DESCRIPTION	QTY	REMARKS
<b>BILL OF MATERIAL</b>				
UNLESS OTHERWISE SPECIFIED DIMENSIONS ARE IN INCH-SIZES GREAT SHARP EDGES .015 INCH		MATERIAL	DRAWN 6-22-53 <i>Blum</i>	JAMES B. LANSING SOUND, INC. A Harman International Company Northridge, California 91329, U.S.A.
TOLERANCES (UNLESS OTHERWISE SPECIFIED)		FINISH	CHECKED 6-30-53 <i>Blum</i>	
X.XXX ± .005 inch		MODELS USED ON	DESIGN	TITLE
X.XX ± .010 inch				SCHMATIC, 3160
X.X ± .070 inch				SIZE
FRACTIONAL DIMENSIONS: ± 1/32				C 64754-01
ALL DIMENSIONS ARE FINISHED DIMENSIONS DO NOT SCALE DRAWING				REV B
				SCALE NONE
				SHEET 1 of 1