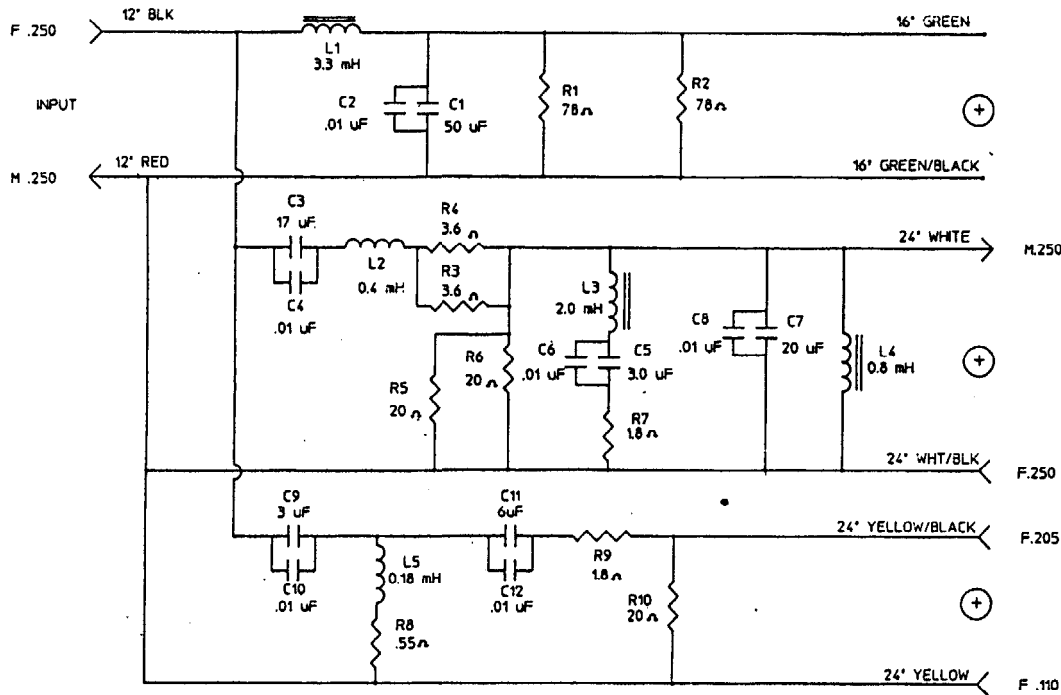


THESE DIMENSIONS AND SPECIFICATIONS ARE THE PROPERTY OF HARMAN SPEAKER MANUFACTURING COMPANY. ANY REPRODUCTION OR SALE OF THIS DOCUMENT WITHOUT THE WRITTEN PERMISSION OF HARMAN SPEAKER MANUFACTURING COMPANY IS STRICTLY PROHIBITED.



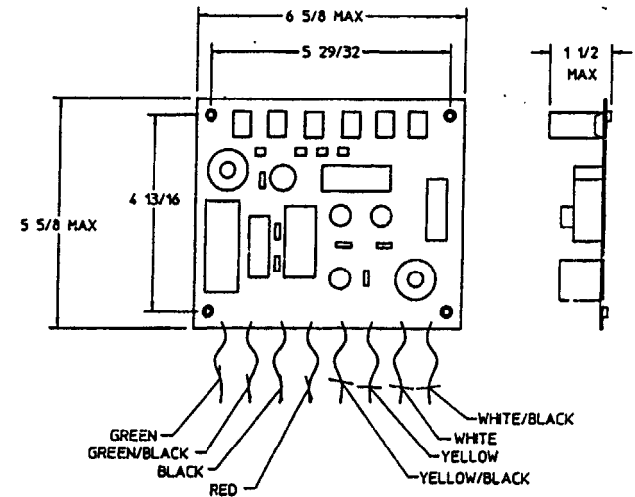
- L1- 3.3 mH, ± 5%, DCR < 0.45 Ω, SATURATION > 6 A, HYSTERESIS < 3%.
- L2- 0.4 mH, ± 5%, DCR < 0.45 Ω, AIRCORE.
- L3- 2.0 mH, ± 5%, 5 A SATURATION, HYSTERESIS < 3% DCR 0.65 Ω ± 10%.
- L4- 0.8 mH, ± 5%, DCR < 0.5 Ω, SATURATION > 4 A, HYSTERESIS < 3%.
- L5- 0.18 mH, ± 5%, AIR CORE, DCR 0.45 Ω ± 10%.
- C1- 50 uF, ± 5%, 100 V NPE, D.F. < 4%.
- C3- 17 uF, ± 5%, 100 V NPE, D.F. < 3% (6 AMP PEAK, 3 AMP AVERAGE).
- C5- 3.0 uF, ± 5%, 100 V NPE, D.F. < 3%.
- C7- 20 uF, ± 5%, 100 V NPE, D.F. < 3%.
- C9- 3.0 uF ± 5% MYLAR.
- C11- 6.0 uF ± 5% MYLAR.
- C2,4,6,8,10,12- 0.01 uF ± 20% POLYPROPYLENE, 100 V OR MORE.
- R1, R2- 78 Ω, ± 5%, 10W.
- R3, R4- 3.6 Ω, ± 5%, 10W.
- R5, R6- 20 Ω, ± 5%, 10W.
- R7, R9- 1.8 Ω, ± 5%, 5W.
- R8- 0.55 Ω, ± 5%, 5W.
- R10- 20 Ω, ± 5%, 5W.

1. PART NUMBER SHOULD BE INDICATED ON PARTS SIDE OF THE P.C.B.

NOTES: unless otherwise specified

REVISIONS						
QTY	LTN	DESCRIPTION	DRFT	CHK	DATE	APPR
645R	B	REPLACE PINK CARD	HF			
755R	C	C3 -3% WAS <5%, C7 -3% WAS >3%, C1 WHT & WHT/BLK WAS 22'. ADDED NOTE 1	PL	PL	4/2/75	J.T.

N4412A-R/L



ITEM	PART NO.	DESCRIPTION	REMARKS
BILL OF MATERIAL			
<small>THIS DRAWING IS THE PROPERTY OF HARMAN SPEAKER MANUFACTURING COMPANY. ANY REPRODUCTION OR SALE OF THIS DOCUMENT WITHOUT THE WRITTEN PERMISSION OF HARMAN SPEAKER MANUFACTURING COMPANY IS STRICTLY PROHIBITED.</small>		<small>DESIGNED BY</small> R. PELOSTEDT <small>DATE</small> 3/17/72 <small>CHECKED BY</small> [blank] <small>DATE</small> [blank]	<small>HARMAN SPEAKER MANUFACTURING</small> <small>A Harman International Company</small> <small>Northridge, California 91329, U.S.A.</small>
<small>TELEPHONE</small> [blank] <small>NOTES</small> <small>1. 1.000" ± .002 INCH</small> <small>2. 2.50" ± .010 INCH</small> <small>3. 3.00" ± .005 INCH</small>		<small>TITLE</small> NETWORK <small>SCALE</small> D <small>RELEASE NO.</small> 74853 <small>REV.</small> C	
<small>WORKING DIMENSIONS - IN</small> <small>ALL DIMENSIONS ARE UNLESS OTHERWISE SPECIFIED</small> <small>IN INCHES UNLESS NOTED</small>		<small>MODEL USED ON</small> N4412A/R <small>SCALE</small> NONE <small>SHEET</small> 1 OF 1	