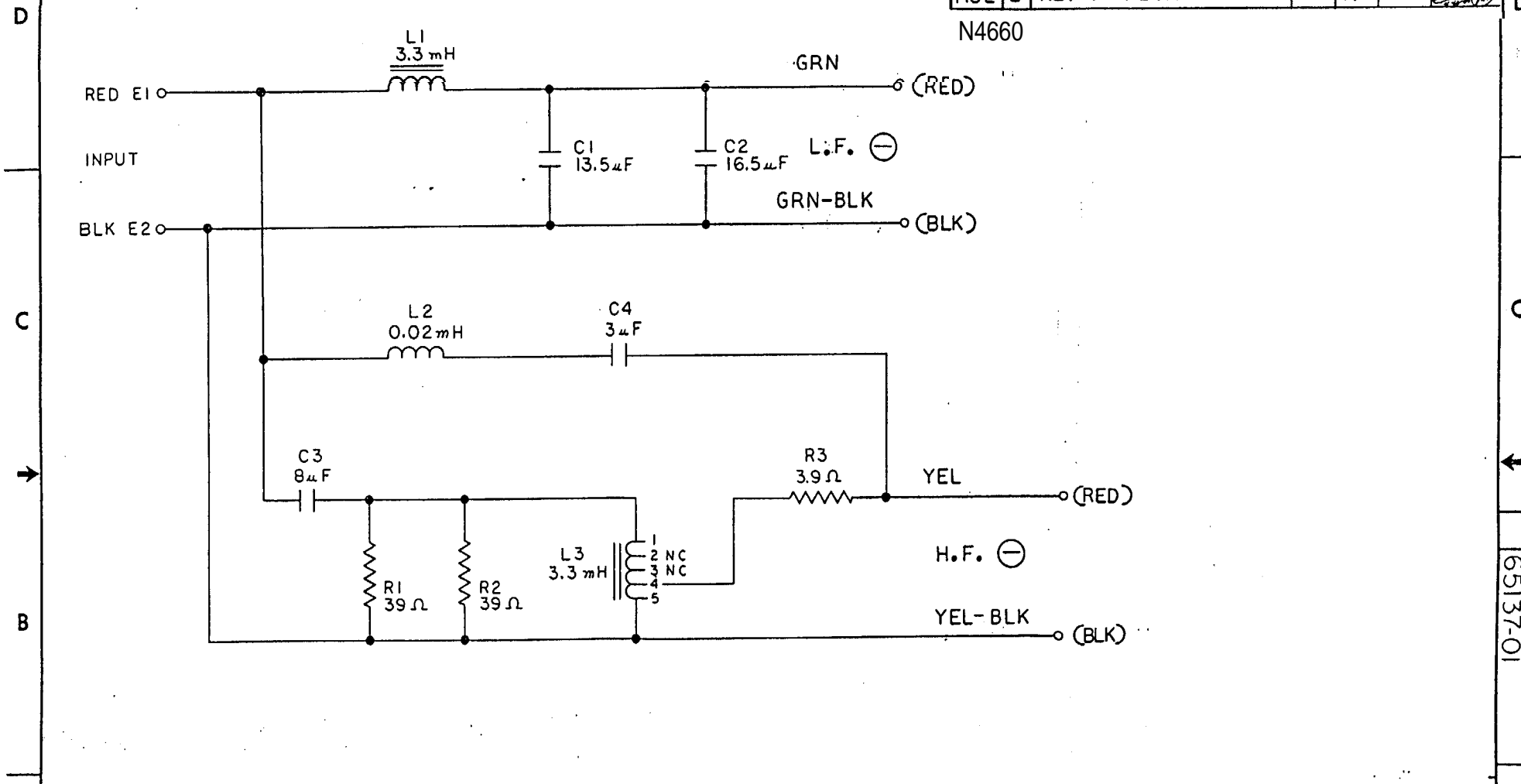


THESE DRAWINGS AND SPECIFICATIONS ARE THE PROPERTY OF JAMES B. LANSING SOUND INC. THEY ARE ISSUED IN STRICT CONFIDENCE AND SHALL NOT BE REPRODUCED, COPIED, OR USED AS THE BASIS FOR MANUFACTURE OR SALE OF APPARATUS WITHOUT WRITTEN PERMISSION.

REVISIONS					
CHG	LTR	DESCRIPTION	DRFT	CHK	DATE
165G	A	REL FOR PROD.	S.H.	PL	28 Jan 83
710L	B	REV PER DCN	TN	MMB	4-15-89

N4660



2. ⊖ = POSITIVE VOLTAGE TO RED INPUT TERMINAL GIVES INWARD DIAPHRAM MOVEMENT.

1. CROSSOVER FREQUENCY 800 Hz.

NOTES: (UNLESS OTHERWISE SPECIFIED)

ITEM	PART NO.	DESCRIPTION	QTY	REMARKS
BILL OF MATERIAL				
UNLESS OTHERWISE SPECIFIED DIMENSIONS ARE IN INCH-SIZES BREAK SHARP EDGES .015 INCH TOLERANCES (UNLESS OTHERWISE SPECIFIED) ANGULAR		MATERIAL	DRAWN 12/1/83 S. Kent	JAMES B. LANSING SOUND, INC. A Harman International Company Northridge, California 91329, U.S.A.
.X.XXX ± .005 inch .X.X ± .010 inch .X ± .020 inch FRACTIONAL DIMENSIONS: 1/32"		FINISH	CHECKED 12-15-83 P. Miller DESIGN 29 Dec 82 D. A. Kulesh ENGR 28 Dec 82 D. A. Kulesh APP 17. G. W. F. V. L.	
ALL DIMENSIONS ARE FINISHED DIMENSIONS DO NOT SCALE DRAWINGS		MODELS USED ON	N4660	TITLE SCHEMATIC, N4660 SIZE C
			DRAWING NO.	REV
			65137-01	B
			SCALE	SHEET 1 of 1

65137-01