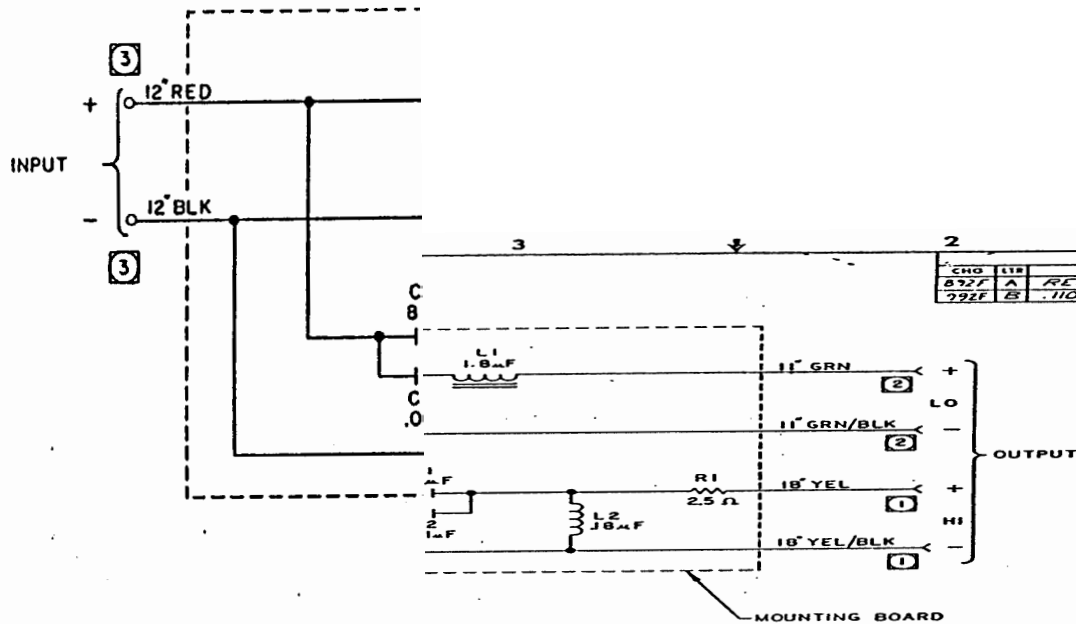


THIS DRAWING IS THE PROPERTY OF THE UNITED STATES GOVERNMENT AND IS NOT TO BE REPRODUCED, COPIED OR USED IN ANY MANNER WITHOUT WRITTEN PERMISSION.



REVISIONS						
CHG	LET	DESCRIPTION	DRFT	CHK	DATE	APP
872F	A	REL FOR PROD.	J.F.		11-17-52	
792F	B	.110 x .020 WAS .110 x .250	J.F.		11-17-52	

**GENERAL SPECIFICATION**  
 L1: .5 Ω DCR ± 5%; 3 AMPS @ 1KHZ FOR NO MORE THAN 10% VALUE DEVIATION.  
 L2: .5 Ω DCR ± 5%; 1 AMP @ 1KHZ FOR MORE THAN 10% VALUE.  
 C1: 100 V ALUMINUM ELECTROLYTIC ± 10%; DISSIPATION FACTOR 5% @ 1KHZ.  
 C2: 100 V POLYPROPYLENE FOIL ± 20%.  
 R1: 2.5 Ω, 10 W, WIRE WOUND.

N216-1  
(8216)

- ③ INSTALL NO. 6 RING CRIMP TERMINAL.
- ② FEMALE TERMINAL FOR .250 x .032 SPADE LUG.
- ① FEMALE TERMINAL FOR .110 x .020 SPADE LUG.

NOTES: (UNLESS OTHERWISE SPECIFIED)

ITEM	PART NO.	DESCRIPTION	QTY	REMARKS
<b>BILL OF MATERIAL</b>				
UNLESS OTHERWISE SPECIFIED DIMENSIONS ARE IN INCH UNLESS SHOWN OTHERWISE		MATERIAL	UNLESS OTHERWISE SPECIFIED	
TOLERANCES (UNLESS OTHERWISE SPECIFIED) ANGLES IN DEGREES		FINISH	DATE	
.010 ± .001		MODEL USED ON	DATE	<b>SCHEMATIC</b>
.015 ± .001		UNLESS OTHERWISE SPECIFIED	DATE	
.030 ± .001		UNLESS OTHERWISE SPECIFIED	DATE	<b>C 65113-01 B</b>
.050 ± .001		UNLESS OTHERWISE SPECIFIED	DATE	
.100 ± .001		UNLESS OTHERWISE SPECIFIED	DATE	SCALE: NONE SHEET 1 OF 1
.250 ± .001		UNLESS OTHERWISE SPECIFIED	DATE	
ALL DIMENSIONS ARE FINISHED DIMENSIONS DO NOT SCALE DRAWING				

4

3

↑

2

9

1

A