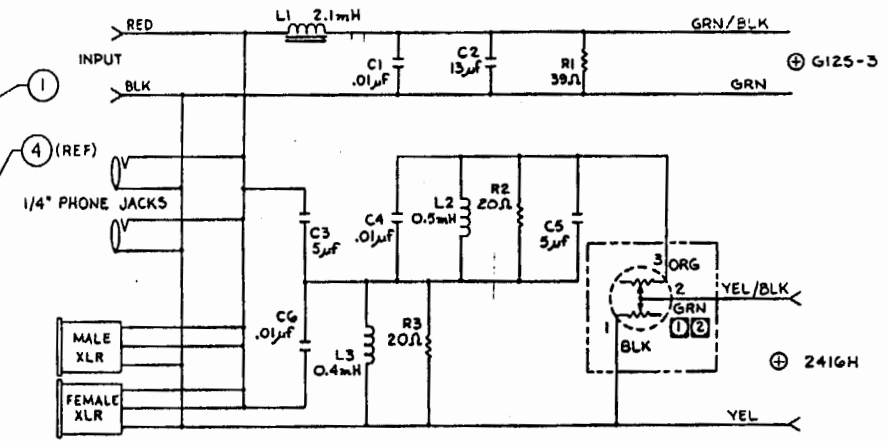
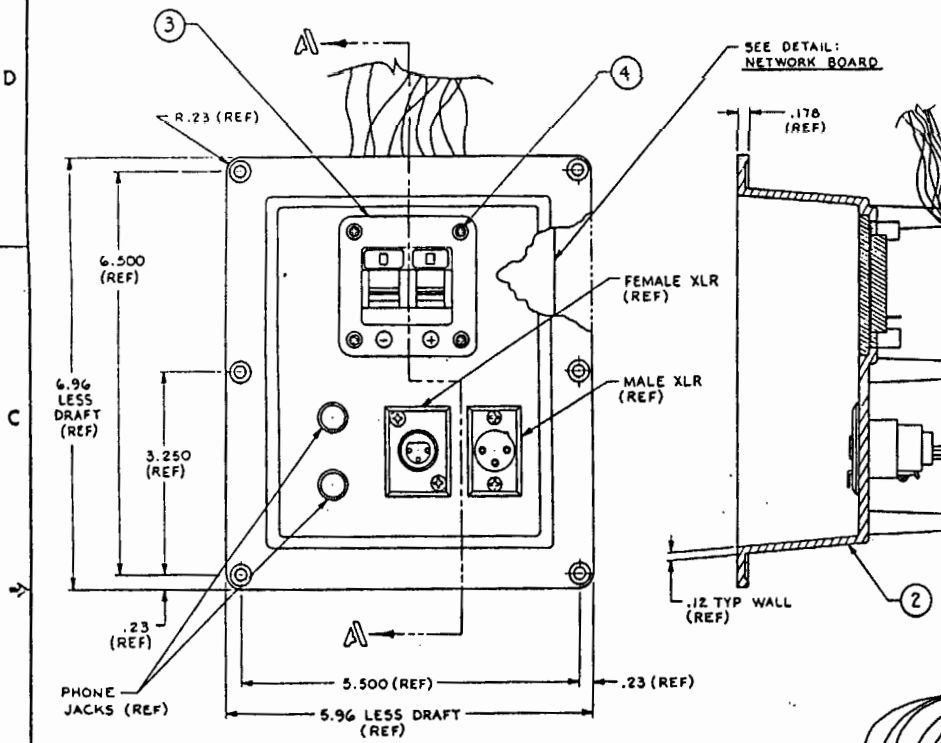


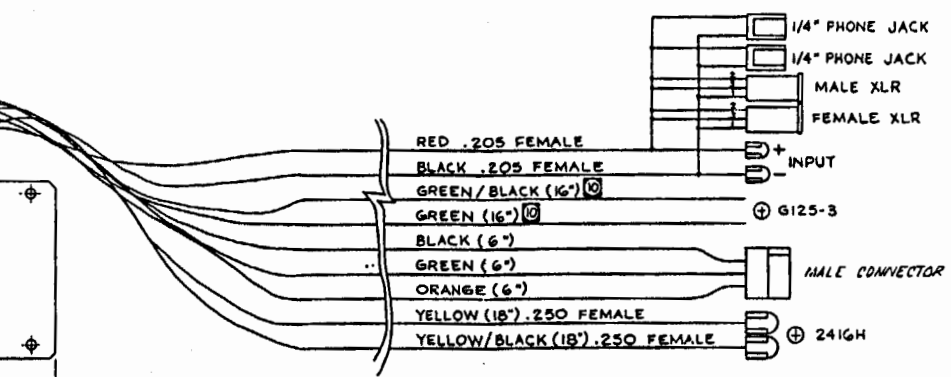
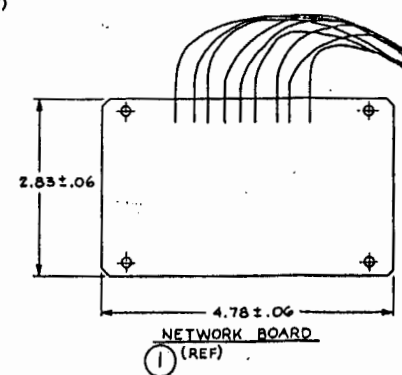
PART NUMBER	REV	DESCRIPTION	REMARKS
69489	C	CONTROL 12 SR NETWORK	
69489-0060	C	NETWORK BOARD	

REVISIONS			CHK	DATE	APP
771K	A	REL FOR PROD			
514K	B	REV RE & e DWG #			
69489	C	REV WIRE LENGTH			

NCONTROL 12-SR



- ① STRIP & TIN 1/4":
- 9. NETWORK POWER TEST: IEC FILTERED PINK NOISE, 40 RMS, OUTPUTS TERMINATED INTO 8Ω FOR 100 HOURS.
- 8. L2 & L3: ±5%, AIR CORE, DCR ≤ .5Ω.
- 7. L1: ±5%, 5AMP SATURATION, 3% HYSTERESIS, DCR ≤ .5Ω.
- 6. C3 & C5: ±10%, MYLAR, 200V.
- 5. C2: ±10%, ELECTROLYTIC, 100V, 4% DF.
- 4. C1, C4, & C6: ±10%, POLYPROPYLENE, 200V.
- 3. ALL RESISTORS: 10W, 10%.
- ② PIN 2 OF L-PAD SHOULD RETURN TO NETWORK BOARD BEFORE GOING TO TWEETER.
- ③ 8Ω L-PAD NOT ON NETWORK BOARD.



ITEM	PART NO.	DESCRIPTION	QTY	REMARKS
4	69482	SCREW, 4-40 x 3/4	8	
3	69462	SMALL CUP	1	
2	69691-02	TERM CUP	1	
1	70605-0060	NETWORK BOARD	1	

BILL OF MATERIAL	
UNLESS OTHERWISE SPECIFIED DIMENSIONS ARE IN INCHES	UNLESS OTHERWISE SPECIFIED DIMENSIONS ARE IN MILLIMETERS
FRAC. DECIMALS: 1/16, 1/8, 1/4, 3/8, 1/2, 5/8, 3/4, 7/8	FRAC. DECIMALS: .0625, .125, .25, .375, .5, .625, .75, .875, 1.0
DECIMALS: .001, .002, .005, .010, .015, .020, .030, .040, .050, .060, .070, .080, .090, .100, .125, .150, .175, .200, .250, .300, .350, .400, .450, .500, .550, .600, .650, .700, .750, .800, .850, .900, .950, 1.000	DECIMALS: .005, .010, .015, .020, .025, .030, .035, .040, .045, .050, .055, .060, .065, .070, .075, .080, .085, .090, .095, .100, .105, .110, .115, .120, .125, .130, .135, .140, .145, .150, .155, .160, .165, .170, .175, .180, .185, .190, .195, .200, .205, .210, .215, .220, .225, .230, .235, .240, .245, .250, .255, .260, .265, .270, .275, .280, .285, .290, .295, .300, .305, .310, .315, .320, .325, .330, .335, .340, .345, .350, .355, .360, .365, .370, .375, .380, .385, .390, .395, .400, .405, .410, .415, .420, .425, .430, .435, .440, .445, .450, .455, .460, .465, .470, .475, .480, .485, .490, .495, .500, .505, .510, .515, .520, .525, .530, .535, .540, .545, .550, .555, .560, .565, .570, .575, .580, .585, .590, .595, .600, .605, .610, .615, .620, .625, .630, .635, .640, .645, .650, .655, .660, .665, .670, .675, .680, .685, .690, .695, .700, .705, .710, .715, .720, .725, .730, .735, .740, .745, .750, .755, .760, .765, .770, .775, .780, .785, .790, .795, .800, .805, .810, .815, .820, .825, .830, .835, .840, .845, .850, .855, .860, .865, .870, .875, .880, .885, .890, .895, .900, .905, .910, .915, .920, .925, .930, .935, .940, .945, .950, .955, .960, .965, .970, .975, .980, .985, .990, .995, 1.000
ALL DIMENSIONS ARE FINISHED DIMENSIONS	DO NOT SCALE DRAWINGS

JBL Incorporated A Harman International Company Harrogate, California 94028 U.S.A.	CONTROL 12-SR NETWORK
DATE: 11/18/77	SCALE: 1/1
APP: [Signature]	REV: D
CHK: [Signature]	69489-XX
DATE: 11/18/77	APP: [Signature]
DATE: 11/18/77	APP: [Signature]

NOTES: (UNLESS OTHERWISE SPECIFIED)