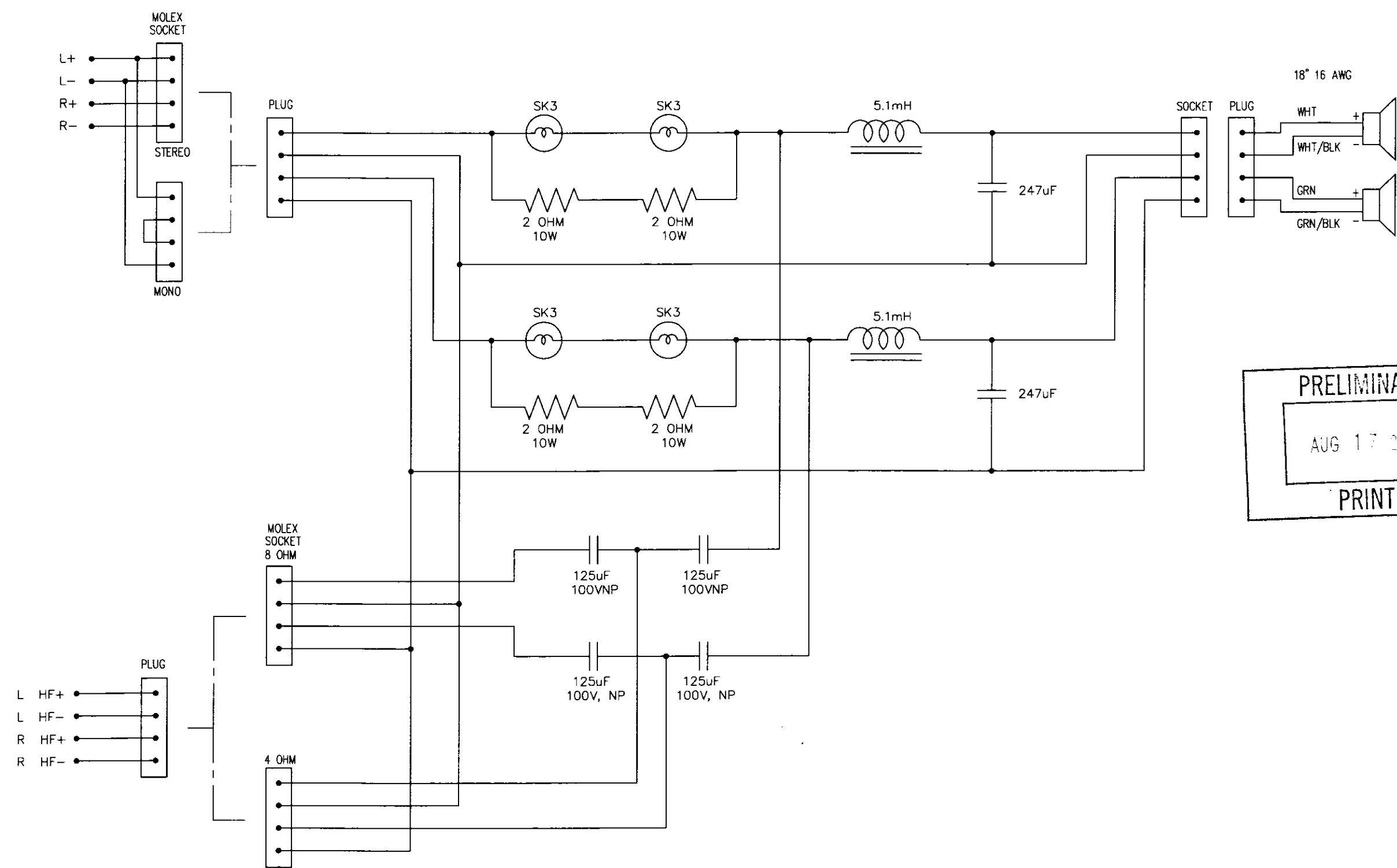


THESE DRAWINGS AND SPECIFICATIONS ARE THE PROPERTY OF JBL INCORPORATED. THEY ARE ISSUED IN STRICT CONFIDENCE AND SHALL NOT BE REPRODUCED OR USED AS THE BASIS FOR MANUFACTURE OR APPARATUS WITHOUT WRITTEN PERMISSION.

REVISIONS						
CHG	LTR	DESCRIPTION	DRFT	D.C.	DATE	APPR
XXXXX	X1	PRELIMINARY DRAWING	TH			

Dead
8-17-9



PRELIMINARY
AUG 17 2001
PRINT

1. ALL SOCKETS/PLUGS SHALL BE 4 PIN MOLEX TYPE, 10A CONTACT RATING.

NOTES: (UNLESS OTHERWISE SPECIFIED)

TOLERANCES (UNLESS OTHERWISE SPECIFIED) XX ± 0.3 MM X ± 0.1 MM ANGULAR ± 0.5° DIMS ARE BY BREAK SWAMP GAGES 0.1 MM ALL DIMS ARE FINISHED DIMS, DO NOT SCALE DRAWING	TOLERANCES (UNLESS OTHERWISE SPECIFIED) 3.00 ± .005 INCH 3.00 ± .005 INCH 3.00 ± .005 INCH ANGULAR TOLERANCE OF 0°30' FRACTIONAL DIMENSIONS ± 1/32 ALL DIMENSIONS ARE FINISHED DIMENSIONS DO NOT SCALE DRAWING	DRAWN T.H. DATE 8/17/01	JBL PROFESSIONAL A Harman International Company Northridge, California 91329, U.S.A.
		DESIGNER G. FARREL DATE 8/17/01	
MODELS SB210	THIRD ANGLE PROJECTION	ENGR G. FARREL DATE 8/17/01	SIZE D DRAWING NO. 338559 REV X1 SCALE N/A SHEET 1 OF 1