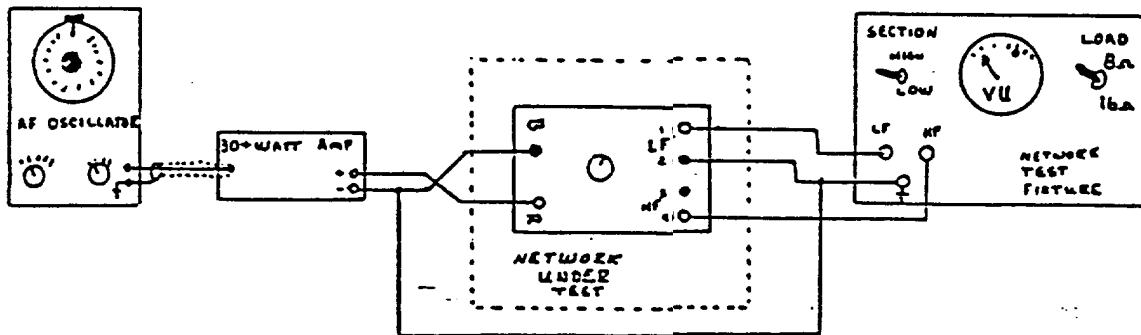
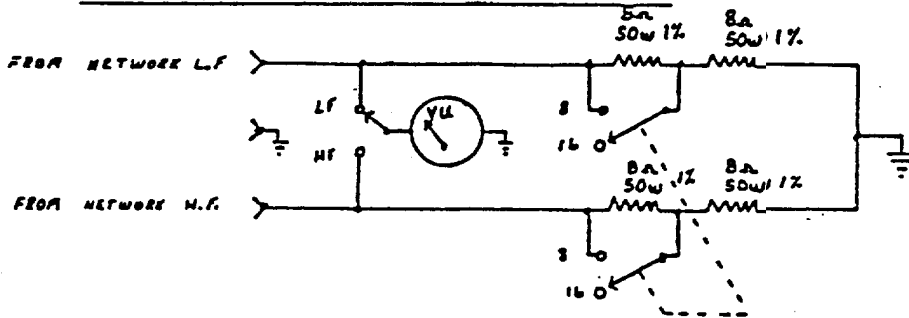


SAMPLE NETWORK
SPECIFICATIONS: NOTE ①

LOAD Z	LOW PASS	CROSS OVER	HIGH PASS	ATTENUATION
8	250HZ	500	2KHZ	2KHZ
	LF 0	LF -5	LF -15	
	HF -15	HF -5	HF -1	HF -1,-3,-6,-9

CIRCUIT: STANDARD TEST FIXTURE



TEST PROCEDURE

- ① SET TEST FIXTURE SWITCHES TO LOW / 8Ω
2. SET OSCILLATOR TO 150HZ AND ADJUST LEVEL TO READ 0dB ON VU METER
3. SET FIXTURE SWITCH TO HIGH SECTION AND READ -15dB
4. SET OSCILLATOR TO 500HZ DO NOT ADJUST LEVEL READ -5dB
5. SET FIXTURE SWITCH TO LOW AND READ -5dB
6. CONTINUE HIGH TEST, ADJUSTING OSCILLATOR FREQUENCY AND READING HIGH AND LOW NETWORK OUTPUT
7. NETWORK TEST SPECS ARE ± 1dB UNLESS OTHERWISE STATED.